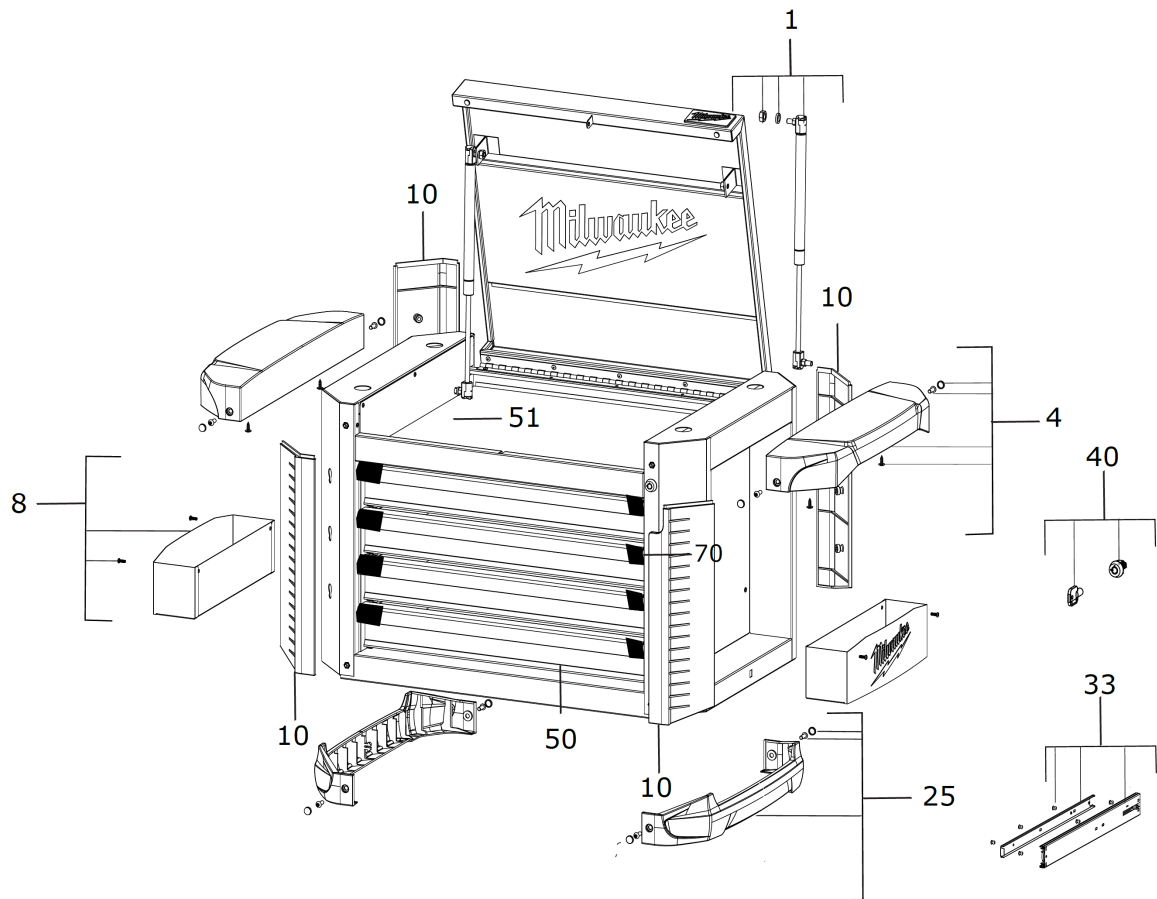


30 INCH STEEL TOP CHEST XXX

4932478850 - 30 INCH STEEL TOP CHEST - 4000483781





Position	Quantity	Description	Part number	EAN
0001	1	PRESSURE SPRING	4931480675	4058546426903
0004	1	CAP	4931480676	4058546426910
0008	2	BOX	4931480663	4058546426781
0010	1	GUARD	4931480677	4058546426927
0025	1	CAP	4931480666	4058546426811
0033	1	SLIDE	4931480667	4058546426828
0040	1	LOCK COMPLETE	4931480670	4058546426859
0050	1	GUIDE RAIL	4931480678	4058546426934
0051	1	INSULATTING MAT	4931480679	4058546426941
0070	1	STOP	4931480662	4058546426774