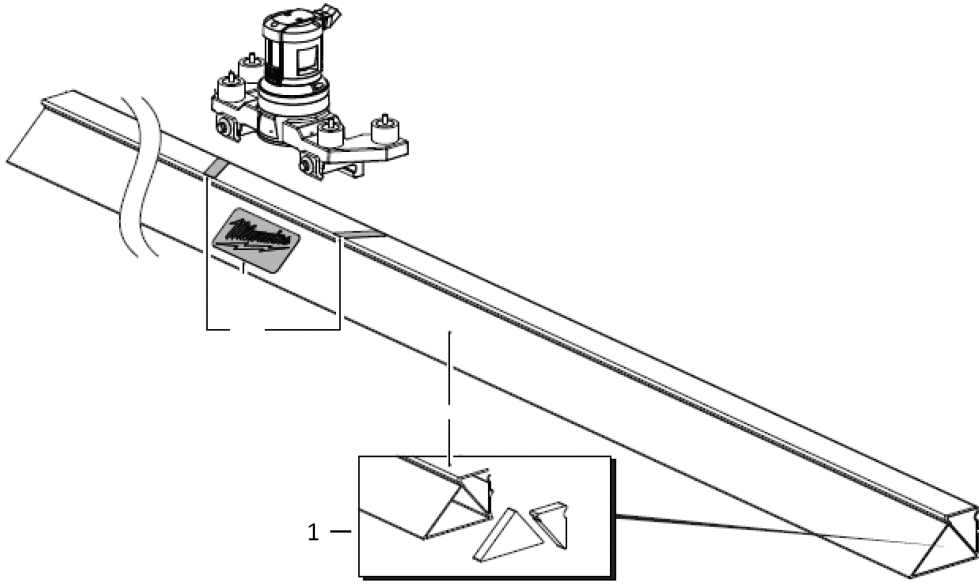


MXF PSB-1.22m

4932479776 - MXF PSB-1.2M - 4000491726





Position	Quantity	Description	Part number	EAN
	1	PART NOT DETAILED	1000063920	
0001	1	GUARD CAP SET	4931494579	4058546471514