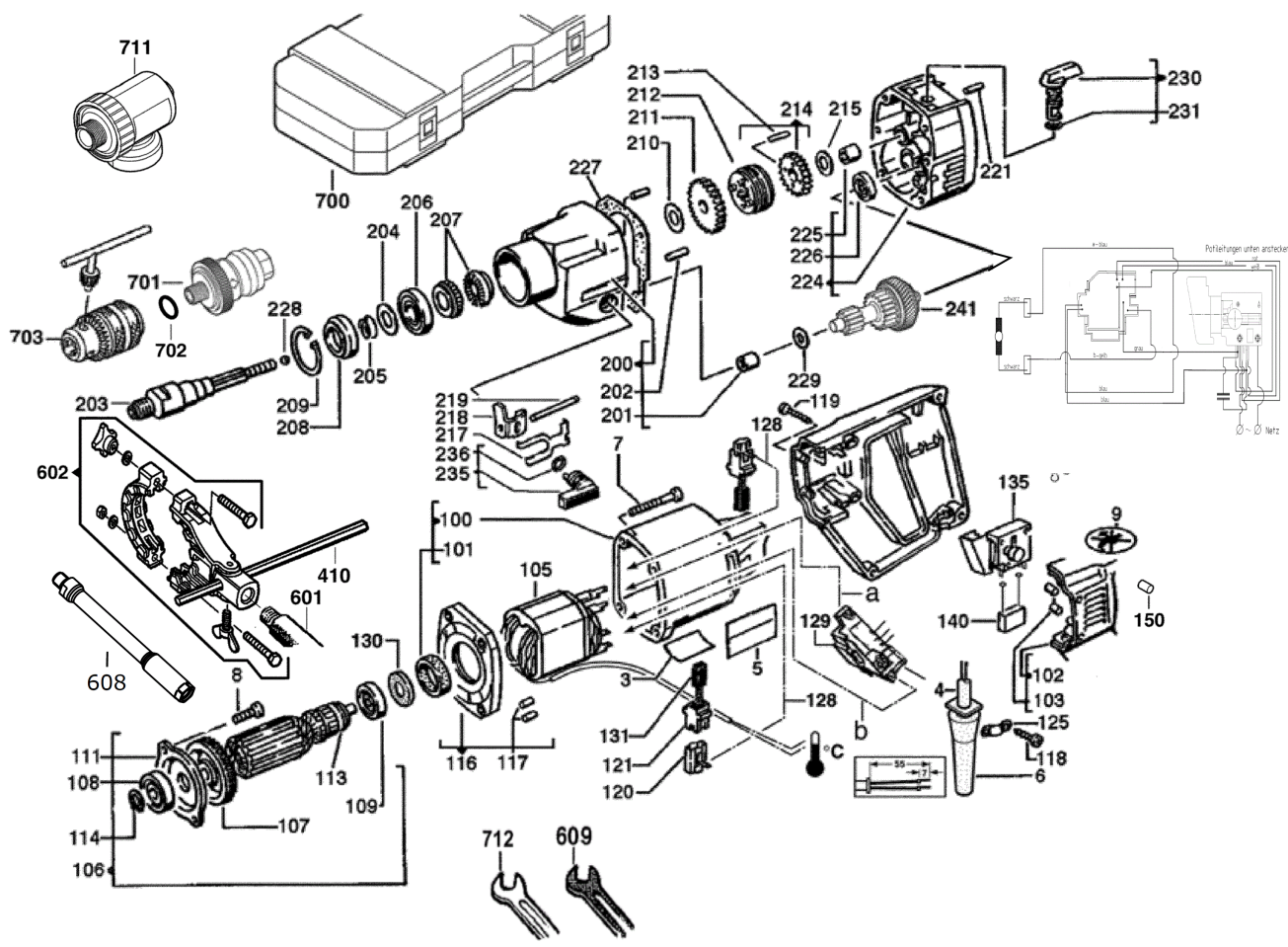


DD2-160XE DIAMOND DRILL IN2

4933368690 - DD2-160XE - 4000368691





Position	Quantity	Description	Part number	EAN
0003	1	RATING PLATE	4931368692	4002395743278
0004	1	CONNECTION CABLE	4931302112	4002395591657
0005	2	NAME PLATE	4931380498	4002395689729
0006	1	CABLE ENTRY SLEEVE	4931359575	4002395653607
0007	4	SCREW D 912 M 4X70 8G	4931614685	4002395694259
0008	2	SCREW	4931612817	4002395694105
0009	1	LABEL	4931321699	4002395603459
0100	1	HOUSING	4931359587	4002395653676
0101	1	RUBBER SLEEVE	4931301483	4002395591428
0102	1	HANDLE	4931359589	4002395653690
0103	4	HOLDING-DOWN DEVICE	562578001	4002395856992
0105	1	ELECTRIC FIELD	4931442730	4002395883912
0106	1	ARMATURE	4931463719	4058546299569
0107	1	FAN	4931271335	4002395587810
0108	1	GROOVED BALL BEAR.	4931368037	4002395670642
0109	1	BALL BEARING	4931901253	4002395706358
0111	1	BEARING COVER	4931267463	4002395587490
0113	1	INSULATING DISC	4931271823	4002395588138
0114	1	RING	4931605127	4002395693610
0116	1	AIR DEFLECTOR RING	4931337361	4002395620210
0117	2	RUBBER STOP	562578001	4002395856992
0118	2	SCREW	4931624538	4002395760039
0119	7	SCREW	4931618253	4002395694945
0120	2	BRUSH HOLDER	4931317546	4002395600212
0121	2	BRUSH HOLDER INSUL	4931317544	4002395600199
0125	1	CABLE COLLAR	4931256500	4002395586547
0128	2	CONNECTION CABLE	4931622342	4002395697496
0129	1	PRINTED CIRC. BOARD	4931463248	4058546036430
0130	1	FELT WASHER	4931300215	4002395590957
0131	1	CARBON BRUSH SET	4931392581	4002395740741
0135	1	SWITCH	4931385859	4002395721863
0140	1	CAPACITOR	4931385864	4002395723027
0150	1	HOLDING-DOWN DEVICE	4931409768	4002395847617
0200	1	GEAR BOX	4931412489	4002395799442
0201	1	NEEDLE BEARING	4931219424	4002395583874
0202	2	PIN	4931615663	4002395694402
0203	1	DRILL SPINDLE	4931307984	4002395593644
0204	1	DISC	4931621809	4002395696048
0205	1	PRESSURE SPRING	4931267406	4002395587421
0206	1	BALL BEARING	4931891058	4002395706303
0207	2	PERCUSSION SLEEVE	4931325240	4002395731145
0208	1	SEAL RING	4931267522	4002395587537
0209	1	LOCKING RING	4931890311	4002395706297
0210	1	DISC	4931943605	4002395707119
0211	1	DRILL SPINDLE WHEEL	4931368671	4002395742011
0212	1	SHIFT RING COMPL.	4931307130	4002395593064
0213	2	PIN	4931621732	4002395695867
0214	1	DRILL SPINDLE WHEEL	4931369652	4002395673858
0215	1	DISC N874237 8,1X16X0,5	4931901226	4002395706334
0217	1	RETAINING SPRING	4931307118	4002395593057

Position	Quantité	Désignation	Référence	EAN
0218	1	SWITCH LEVER	4931309010	4002395594122
0219	1	PIN	4931621731	4002395695850
0221	1	PIN	4931621650	4002395695744
0224	1	BEARING END PLATE	4931412490	4002395799497
0225	1	SLEEVE N874989 HKO 0810	4931912093	4002395706464
0226	1	BALL BEARING	4931624661	4002395790906
0227	1	GASKET	4931307995	4002395593729
0228	1	BALL	4931805437	4002395706037
0229	1	DISC N874237 8,3X16,5X1	4931919962	4002395706563
0230	1	SWITCH LEVER	4931320109	4002395602223
0231	1	O-RING N874701 8X1	4931943493	4002395707058
0235	1	SWITCH LEVER	4931310479	4002395594597
0236	1	O-RING N874701 14X1	4931621782	4002395893485
0241	1	REDUCTION GEAR	4931368673	4002395742028
0410	1	DEPTH GAUGE	4931384434	4002395719402
0601	1	HANDLE	4931375516	4002395736027
0602	1	CLAMPING RING	4931407017	4002395784851
0608	1	Not available for this version	1000000003	
0609	1	KEY	4931236557	4002395584765
0700	1	CARRYING CASE	4931412492	4002395793402
0702	1	O-RING	4931941117	4002395706969
	1	Chuck Key C S3T-1pc	4932221379	4002395306381
0701	1	FIXTEC ADAPTER FIXTEC M18/16 P1 MET	4932399174	4002395357819
0703	1	Keyed Chuck 3Jaw C 3.0-16 M18x2.5-1pc	4932320014	4002395310784
0711	1	FIXTEC CLR M18X2.5 / 1 1/4 P1M	4932352172	4002395368242
0712	1	OPEN-ENDED SPANNER SW17/24 P1 A/M	4932345710	4002395307722