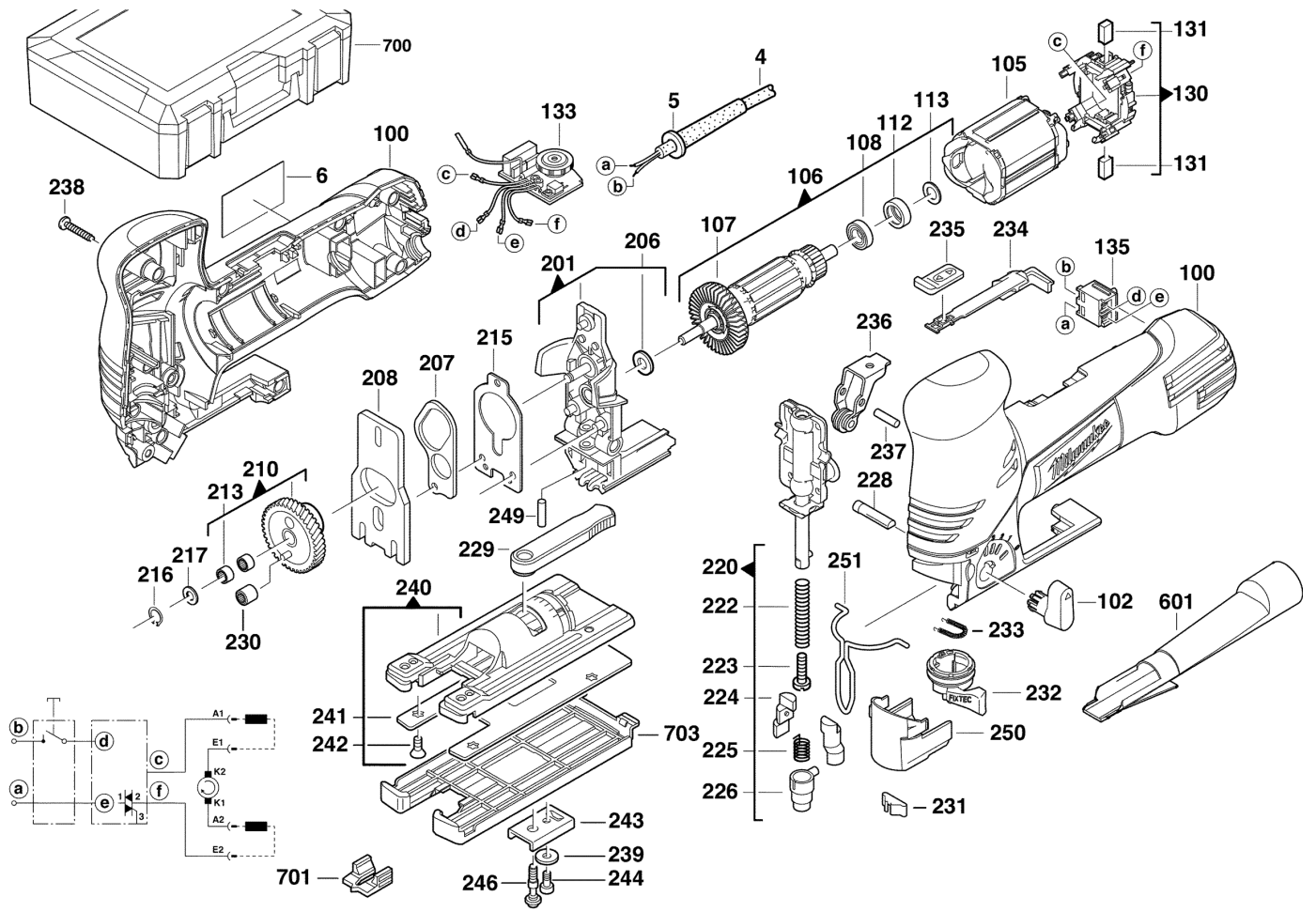


JS120X JIG SAW IN2

4933381680 - JS120X - 4000381681





Position	Quantity	Description	Part number	EAN
0004	1	CONNECTION CABLE	4931623618	4002395703098
0005	1	CABLE ENTRY SLEEVE	4931206687	4002395583379
0006	1	RATING PLATE	4931455673	4002395175161
0100	1	HOUSING	4931381682	4002395776733
0102	1	SWITCH HANDLE	4931378812	4002395684762
0105	1	ELECTRIC FIELD	4931426476	4002395843527
0106	1	ARMATURE	4931426337	4002395841189
0107	1	FAN	4931330633	4002395612321
0108	1	BALL BEARING	4931902888	4002395706372
0112	1	RUBBER SLEEVE	4931306351	4002395592777
0113	1	WASHER	4931621834	4002395696185
0130	1	BRUSH MODULE	4931357548	4002395649655
0131	1	CARBON BRUSH SET	4931392597	4002395740529
0133	1	ELECTRONIC	4931381729	4002395787531
0135	1	SWITCH	4931385824	4002395724833
0201	1	PILLOW BLOCK	4931357893	4002395651085
0206	1	FELT WASHER	4931357000	4002395648450
0207	1	ROCKER BAR	4931357522	4002395649563
0208	1	BALANCE WEIGHT	4931381109	4002395709403
0210	1	GEAR	4931357515	4002395649549
0213	2	NEEDLE BEARING	4931219422	4002395583867
0215	1	SHIM	4931357577	4002395649730
0216	1	RING D471 6X0,7	4931605092	4002395693580
0217	1	DISC N874237 6,1X12X0,5	4931621830	4002395696154
0220	1	RAM	4931357525	4002395649587
0222	1	PRESSURE SPRING	5131000000	
0223	1	SCREW	4931623102	4002395700394
0224	2	CENTERING JAW	4931330303	4002395611669
0225	1	TORSION SPRING	5131000000	
0226	1	COLLET	4931330494	4002395612079
0228	1	INDEXING BOLT	4931381103	4002395709397
0229	1	TENSION LEVER	4931381610	4002395737079
0230	1	NEEDLE BUSH	4931361376	4002395657766
0231	1	PLATE SPRING	4931330474	4002395612024
0232	1	SLEEVE	4931378813	4002395684779
0233	1	SPRING	4931330437	4002395611935
0234	1	GUIDE PIECE	4931357489	4002395649518
0235	1	SLIDER	4931381298	4002395718962
0236	1	HOLDER	4931468106	4058546268923
0237	1	PIN D 6325 4M6X28	4931621888	4002395696246
0238	9	SCREW N874101-1 SHR H-K4X18 T15	4931624515	4002395757367
0239	1	DISC	4931622131	4002395696857
0240	1	GROUND PLATE	4931412827	4002395794058
0241	1	SLIDE PLATE	4931412827	4002395794058
0242	4	SCREW	4931310396	4002395721542
0243	1	THRUST PIECE	4931357588	4002395649785
0244	1	SCREW	4931300699	4002395591060
0246	1	SCREW	4931357598	4002395649815
0249	1	CYLINDER PIN	4931357583	4002395649754
0250	1	DUST CAP	4931357552	4002395649686

Position	Quantité	Désignation	Référence	EAN
0251	1	WIRE STRAP	4931357584	4002395649761
0601	1	SUCTION SLEEVE	4931357983	4002395714865
0700	1	CARRYING CASE	4931415345	4002395827985
0701	1	ANT-CHIPPING DEVICE (3 PCS) P1 A/M	4931449321	4002395256242
0703	1	GUIDE SHOE JSPE90X P1 A/M	4932430356	4002395380176