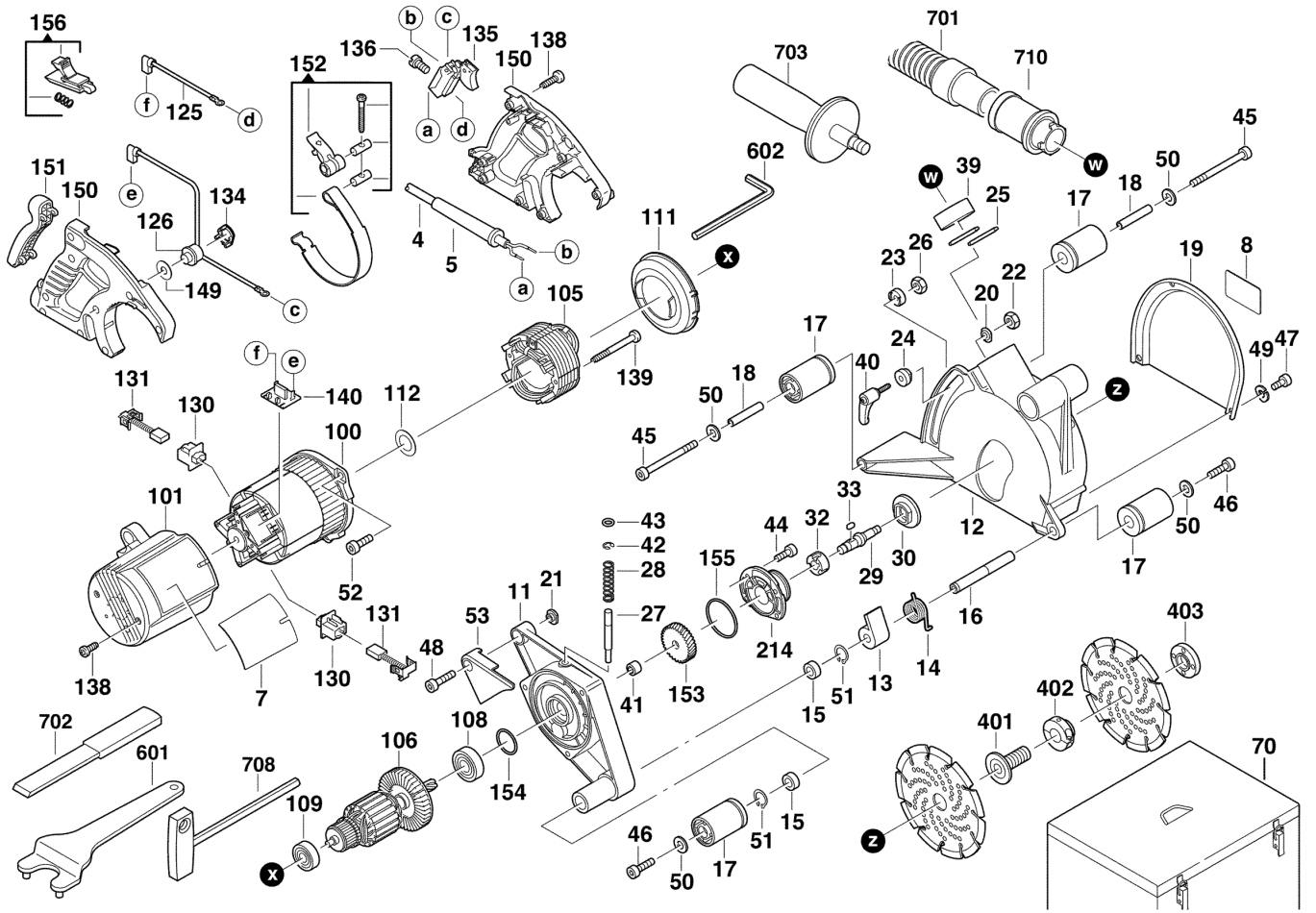


# WCS45/M WALL-GROVE MIL.CUT. IN2

4933383350 - WCS45 - 4000383351





Position	Quantity	Description	Part number	EAN
0004	1	CONNECTION CABLE	4931383611	4002395715817
0005	1	CABLE CLAMP	44760050	4058546074081
0007	1	TYPE PLATE	5131000000	
0008	1	TYPE PLATE	4931378806	4002395684755
0011	1	DRIVING PLATE	4931413244	4002395793693
0012	1	GUARD CAP	4931413247	4002395793709
0013	1	COVER	4931383375	4002395730292
0014	1	SPRING	4931383376	4002395730308
0015	2	BUSH	4931383377	4002395730315
0016	1	AXLE	4931383378	4002395730322
0017	4	ROLL	4931383379	4002395730339
0018	2	AXLE	4931383384	4002395730377
0019	1	COVER PLATE	4931383381	4002395730346
0020	1	WASHER	4931383382	4002395730353
0021	1	SPACER	4931383383	4002395730360
0022	1	NUT	5131000000	
0023	1	WASHER	4931383386	4002395730391
0024	1	BUSH	4931383385	4002395730384
0025	1	RULER THRUST	4931383387	4002395730407
0026	1	NUT D934 M6	5131000000	
0027	1	LOCKING ROD	4931383388	4002395730414
0028	1	PRESSURE SPRING	4931383389	4002395730421
0029	1	DRIVING SHAFT	4931383390	4002395730438
0032	1	BUSH	4931383392	4002395730445
0033	1	KEY	4931383393	4002395730452
0039	1	SLEEVE	4931383395	4002395730476
0040	1	CLAMPING LEVER	4931383499	4002395730520
0041	1	NEEDLE BEARING N874989 HK 1010	4931943567	4002395707102
0042	1	SHAFT CLIP	4931621973	4002395696482
0043	1	O-RING	4931383396	4002395730483
0044	4	SCREW	4931383397	4002395730490
0045	2	SCREW	5131000000	
0046	2	SCREW D912 M6X12	4931607021	4002395693870
0047	3	SCREW	4931383399	4002395730513
0048	1	SCREW D 912 M 4X10 SSI	5131000000	
0049	3	SPRING WASHER	4931623799	4002395703968
0050	4	SEALING WASHER	4931615511	4002395694365
0051	2	RING D471 12X1	4931605142	4002395693627
0052	3	SCREW	4931383504	4002395730537
0053	1	COVER	4931385349	4002395727872
0100	1	HOUSING	31500050	4058546071585
0101	1	BONNET	4931383613	4002395714124
0105	1	ELECTRIC FIELD	290302004	4002395849659
0106	1	ARMATURE	290302004	4002395849659
0108	1	BALL BEARING	02041850	4058546068127
0109	1	BALL BEARING	02040847	4058546067977
0111	1	AIR DEFLECTOR RING	31050045	4058546071233
0112	1	WASHER	45880577	4058546074784
0125	1	CABLE	23941180	4058546070786
0126	1	SWITCH	4931385373	4002395724970

Position	Quantité	Désignation	Référence	EAN
0130	1	BRUSH HOLDER	22220030	4002395881543
0131	2	CARBON BRUSH	22180085	4002395881550
0134	1	SWITCH RETAINER	4931385599	4002395730568
0135	1	SWITCH	23662117	4058546070533
0136	1	SCREW	5131000000	
0138	1	SCREW	06827270	4058546068974
0140	1	CAPACITOR	14201325	4058546069506
0149	1	SEALING WASHER	4931383422	4002395724895
0150	1	HANDLE COMPL.	4931383614	4002395714131
0151	1	HANDLE	44520682	4058546073848
0152	1	STRIP-BAND	4931383615	4002395714148
0153	1	GEAR	4931383616	4002395714155
0154	1	O-RING	34401375	4058546072117
0155	1	O-RING	34401380	4058546072124
0156	1	SLIDER	4931383617	4002395714162
0214	1	BEARING END PLATE	4931393224	4002395752652
0401	1	Location bolt	4931383394	4002395730469
0402	1	CLAMPING NUT	4931449262	4058546041106
0403	1	ADJUSTING LOCK	4931449351	4002395256396
0602	1	SCREW DRIVER	4931606753	4002395693757
0708	1	T-SPANNER	4931362928	4002395661879
0030	1	CLAMPING FLANGE WS115-230 P1 A/M	4932449324	4002395245185
0070	1	CARRY.C.W.COVER BOX MET	4932383357	4002395357390
0601	1	PIN SPANNER WS(A) P1 A/M	4932371469	4002395342181
0701	1	TUYAU ASPIRATION 4M	4932334704	
0702	1	BREAK-OUT CHISEL DME P1 AEG	5131000000	
0703	1	HANDLE 180-230/WP/WSA P1A/M	4931433531	4002395889259
0710	1	ADAPTER DME P1 AEG	4932362778	4002395334285