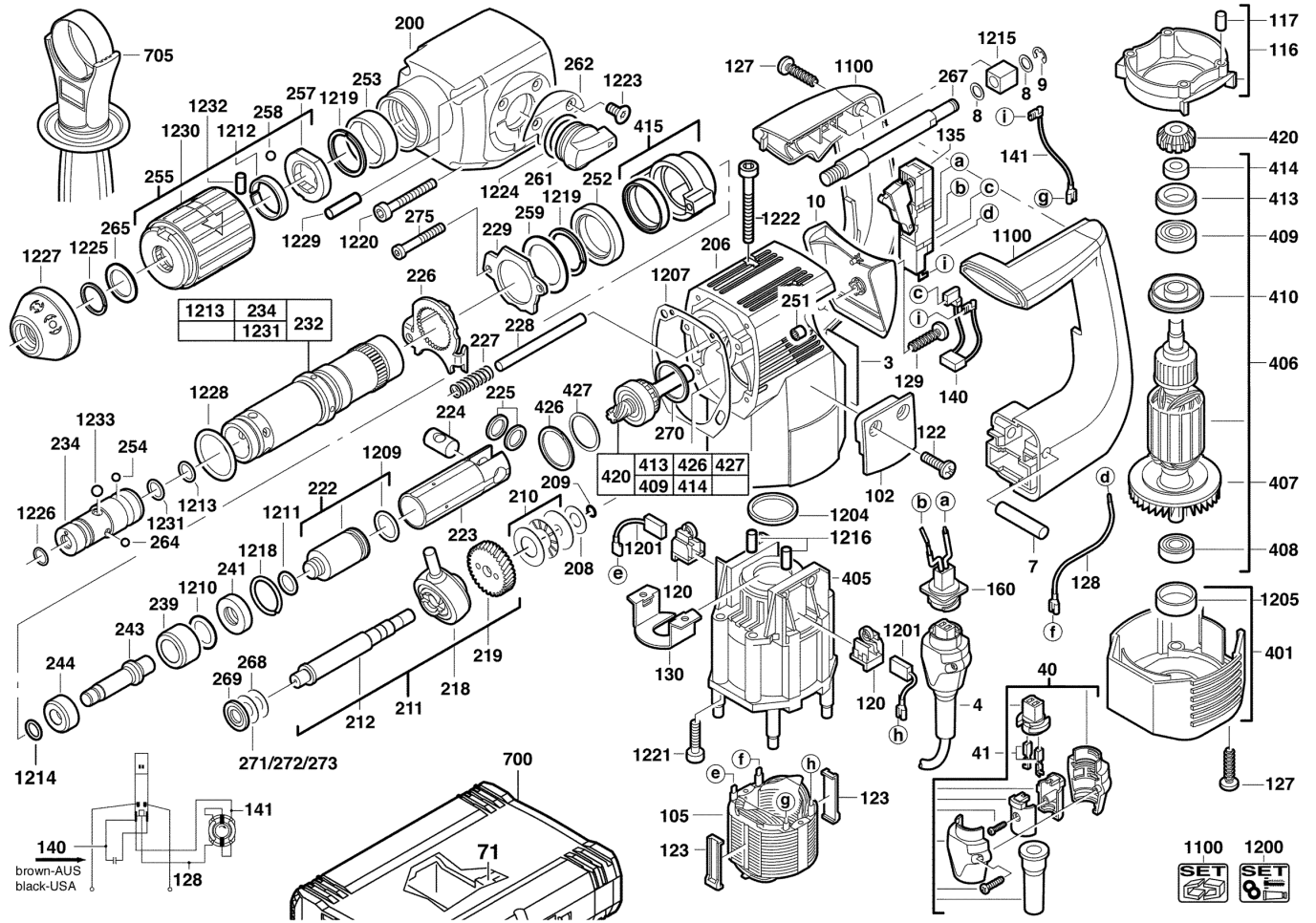


PCE3 DEMOLITION HAMMER IN2

4933384300 - PCE3 - 4000384301





Position	Quantity	Description	Part number	EAN
0003	1	RATING PLATE	5131000000	
0004	1	CONNECTION CABLE IN2	4931624171	4002395710799
0007	1	GROOVED DOWEL PIN	4931623456	4002395702251
0008	2	WASHER	4931623094	4002395700370
0009	1	WASHER	4931621834	4002395696185
0010	1	GEAR BOX COVER	4931360377	4002395655694
0040	1	REPAIR KIT	4931380758	4002395714551
0041	1	Cable socket p./10	4931380763	4002395745128
0071	1	INSERT	4931415335	4002395827961
0102	2	PROTECTIVE CAP	4931360518	4002395655991
0105	1	ELECTRIC FIELD	4931426596	4002395846146
0116	1	AIR DEFLECTOR RING	4931353230	4002395641390
0117	4	HOLDING-DOWN DEVICE	4931332524	4002395614899
0120	2	BRUSH HOLDER	4931382268	4002395690961
0122	4	SCREW	4931624518	4002395757398
0123	2	CENTERING LEDGE	4931342808	4002395628612
0127	7	SCREW N874101-1 SHR H-K4X18 T15	4931624515	4002395757367
0128	1	WIRE	4931623541	4002395702756
0129	1	SCREW	4931622153	4002395696901
0130	1	BEARING COVER	4931356869	4002395648214
0135	1	SWITCH BOARD	4931384292	4002395735402
0140	1	CAPACITOR	4931624270	4002395725977
0141	1	WIRE	4931624269	4002395725991
0160	1	INSERT	4931364437	4002395663873
0200	1	GEAR BOX	4931384312	4002395735433
0206	1	GEAR BOX	4931382948	4002395711109
0208	1	WASHER	4931623637	4002395703159
0209	1	O-RING N874701 5X1	4931941082	4002395706945
0210	1	THRUST BEARING	4931360041	4002395654970
0211	1	REDUCT. GEAR SHAFT	4931384313	4002395735105
0212	1	REDUCT. GEAR SHAFT	4931417725	4002395839537
0218	1	REPAIR KIT	4931384560	4002395721733
0219	1	REDUCTION GEAR	4931426240	4002395905836
0222	1	PERCUSSION BODY	4931384314	4002395735112
0223	1	CYLINDER	4931384279	4002395717262
0224	1	CYLINDRICAL BOLT	4931331623	4002395613601
0225	1	WASHER	4931400589	4002395765980
0226	1	LOCKING PIECE	4931384316	4002395719983
0227	1	PRESSURE SPRING	4931384293	4002395735099
0228	1	PIN	4931623081	4002395700332
0229	1	LATCH PLATE	4931331787	4002395613908
0232	1	SPINDLE	4931392170	4002395732371
0234	1	ADAPTER	4931409762	4002395834693
0239	1	SLEEVE	4931409839	4002395839575
0241	1	CORE LIFTER RING	4931409775	4002395841370
0243	1	SNAP DIE	4931384284	4002395718320
0244	1	STOP WASHER	4931384283	4002395735051
0251	2	NEEDLE BEARING	4931219424	400239583874
0252	1	JUNK RING	4931409776	4002395841578
0253	1	HOLDING RING	5131000000	

Position	Quantité	Désignation	Référence	EAN
0254	6	BALL	4931805437	4002395706037
0255	1	SET SLEEVE	4931384299	4002395722549
0257	1	JUMPER RING	4931417929	4002395846504
0258	2	BALL	4931805413	4002395706020
0259	1	WASHER	4931623199	4002395700998
0261	1	SWITCH HANDLE	4931392506	4002395739318
0262	1	LATCH PLATE	4931379108	4002395685752
0265	1	DISC	4931624280	4002395731312
0267	1	BOLT	4931392501	4002395738625
0268	2	DISC N874237	4931624096	4002395705528
0269	1	SPACER	4931379420	4002395686773
0270	1	RING	4931409756	4002395905775
0271	1	DISC N874237	4931624098	4002395705542
0272	1	DISC N874237	4931624097	4002395705535
0273	1	DISC N874237	4931624096	4002395705528
0275	2	SCREW	4931624282	4002395732104
0401	1	MOTOR COVER	4931360732	4002395656301
0405	1	MOTOR HOUSING	4931384337	4002395718429
0406	1	ARMATURE	4931432378	4002395899586
0407	1	FAN	4931342793	4002395628544
0408	1	GROOVED BALL BEAR.	4931341740	4002395626991
0409	1	BALL BEARING	4931624101	4002395705566
0410	1	INSULATING DISC	4931353260	4002395641482
0413	1	SEAL RING	4931442301	4002395888955
0414	1	SPACER	4931353238	4002395641413
0415	1	BUSHING	4931384557	4002395772704
0420	1	PINION SHAFT	4931432300	4002395898763
0426	1	LOCKING RING	4931616614	4002395694624
0427	1	DISC N874237 A16,1X26X1	4931622564	4002395698417
0705	1	HANDLE	4931417907	4002395846375
1100	1	HANDLE COMPL.	4931384324	4002395723300
1200	1	MAINTENANCE SET	4931384311	4002395717088
1201	1	CARBON BRUSH SET	4931369477	4002395673476
1204	1	O-RING	4931623124	4002395700516
1205	1	RUBBER SLEEVE	4931360781	4002395656479
1207	1	SEAL	4931392504	4002395739127
1209	1	SEAL RING	4931379705	4002395687381
1210	1	SEAL RING	4931624492	4002395753529
1211	1	SEAL RING	4931624226	4002395717125
1212	1	SPRING	4931321064	4002395602865
1213	1	SEAL RING N874701 12X1,5	4931624322	4002395739851
1214	1	SEAL RING	4931624227	4002395717132
1215	1	DAMPING ELEMENT	4931392502	4002395738618
1216	2	HOLDING-DOWN DEVICE	4931331549	4002395613465
1218	1	RING	4931623636	4002395703142
1219	2	SPRING RING	4931945764	4002395707317
1220	4	SCREW	4931623521	4002395702619
1221	4	SCREW	4931623520	4002395702602
1222	2	SCREW	4931623519	4002395702596
1223	2	SCREW	4931379109	4002395685769

Position	Quantité	Désignation	Référence	EAN
1224	1	O-RING	4931623293	4002395701209
1225	1	SPRING RING	4931622874	4002395699568
1226	1	SEAL RING	4931624493	4002395755318
1227	1	RUBBER CAP	4931384925	4002395731046
1228	1	SEAL RING N874701 12X1,5	4931624225	4002395735181
1229	1	GREASE RETAIN.PLUG	5131000000	
1230	1	SET SLEEVE	4931384295	4002395735419
1231	1	HOLDING DISC	4931392528	4002395739844
1232	1	HOLDING-DOWN DEVICE	4931307423	4002395593316
1233	2	BALL	4931624303	4002395736386
0700	1	CARRYING CASE WITH FOAM INSERT MET	4932378986	4002395349401