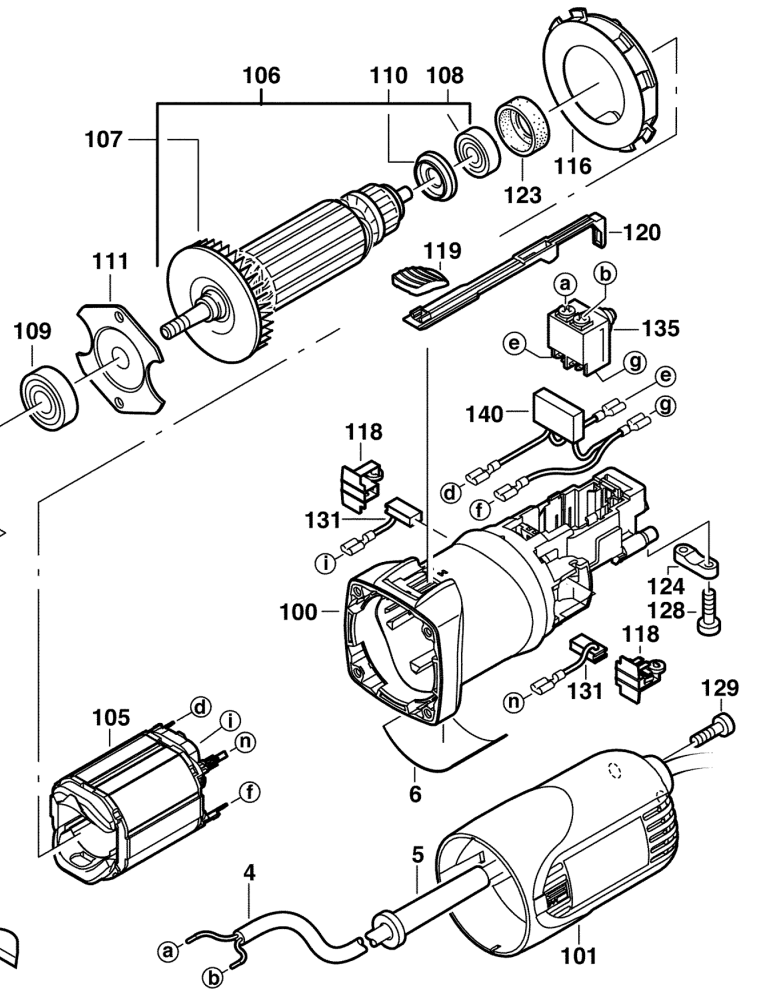
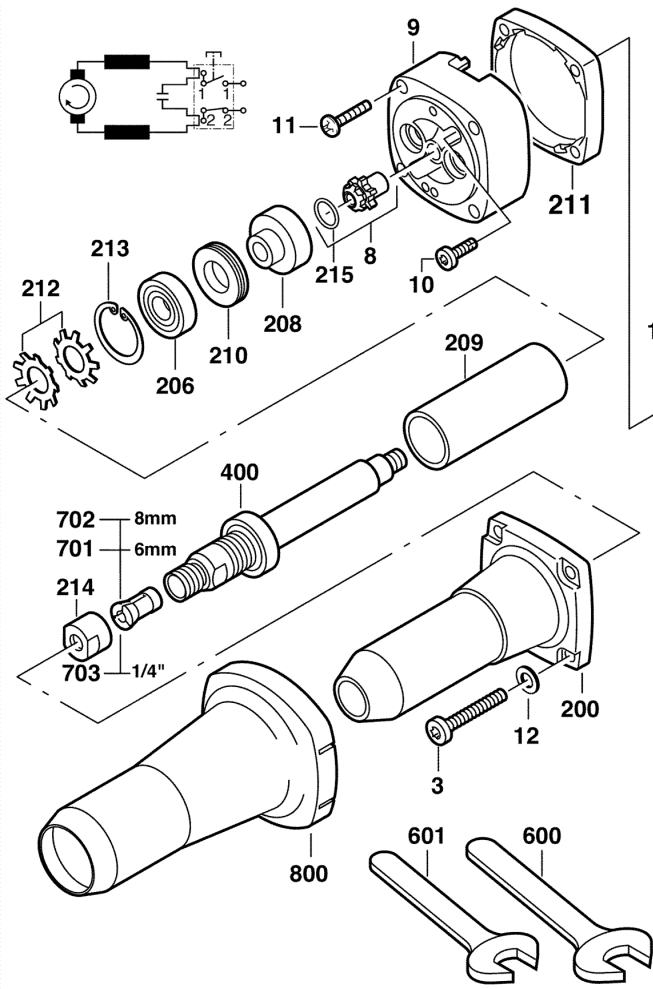


DGL34 STRAIGHT SANDER IN2

4933385110 - DGL34 - 4000391715





Position	Quantity	Description	Part number	EAN
0003	4	SCREW	4931317532	4002395600175
0004	1	CONNECTION CABLE	4931624121	4002395705627
0005	1	CABLE ENTRY SLEEVE	4931206687	4002395583379
0006	1	RATING PLATE	5131000000	
0008	1	CAM	4931417294	4002395828050
0009	1	BEARING END PLATE	4931426201	4002395834068
0010	2	SCREW	4931279999	4002395590650
0011	4	SCREW D 7981 3,9X40	4931622399	4002395697700
0012	4	SEALING WASHER D 433 4,3	4931617414	4002395694792
0100	1	MODIFICATION SET	4931403204	4002395758357
0101	1	HOUSING CAP	4931403011	4002395755578
0105	1	ELECTRIC FIELD	4931426482	4002395843589
0106	1	ARMATURE 220-240V 32X48(SUB 4931 426266)	4931426266	4002395841547
0107	1	FAN	4931368347	4002395671519
0108	1	BALL BEARING	4931902888	4002395706372
0109	1	BALL BEARING	4931901253	4002395706358
0110	1	INSULATING DISC	4931385658	4002395719846
0111	1	BEARING COVER	4931351913	4002395640904
0116	1	AIR DEFLECTOR RING	4931368549	4002395714933
0118	2	BRUSH HOLDER	4931351842	4002395640751
0119	1	SLIDER	4931368501	4002395714209
0120	1	GUIDE PIECE	4931368333	4002395671441
0123	1	RUBBER SLEEVE	4931393018	4002395743940
0124	1	CABLE COLLAR	4931256500	4002395586547
0128	2	SCREW	4931624538	4002395760039
0129	2	SCREW	4931618253	4002395694945
0131	1	CARBON BRUSH SET	4931392612	4002395740901
0135	1	SWITCH	4931385824	4002395724833
0140	1	CAPACITOR	4931391182	4002395741779
0200	1	BEARING CAGE	4931449947	4002395172849
0206	1	BALL BEARING D 625 6001 ZTH LDS	4931804500	4002395705894
0208	1	COUPLING	4931279578	4002395590438
0209	1	DISTANCE SLEEVE	4931208217	4002395583386
0210	1	NUT	4931208219	4002395583393
0211	1	INTERMEDIATE FLANGE	4931354044	4002395643615
0212	2	SPRING	4931220726	4002395583935
0213	1	LOCKING RING	4931884220	4002395706259
0214	1	NUT	4931409786	4002395839728
0215	1	SEAL RING	4931623232	4002395701094
0400	1	GRINDING SPINDLE	4931278595	4002395589609
0600	1	KEY D 894 17	4931822228	4002395706181
0601	1	KEY D894 15	4931606563	4002395693726
0800	1	SLEEVE	4931463143	4058546291242
0701	1	COLLET OF/E 6MM P1 A/M	4932313192	4002395302833
0702	1	COLLET OF/E 8MM P1 A/M	4932313190	4002395302840
0703	1	COLLET OFS450 6.35MM P1 A/M	4932313194	4002395302857