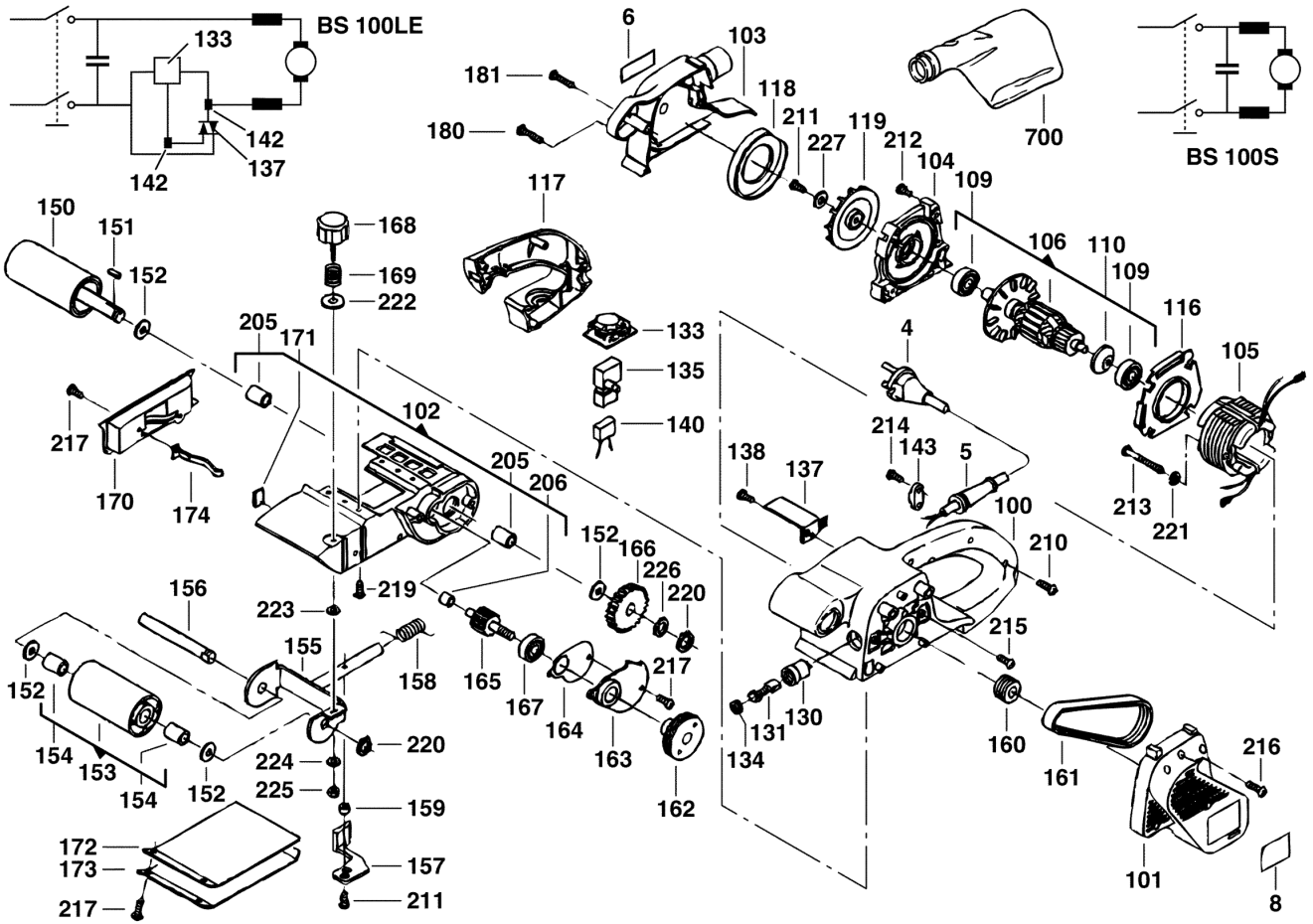


BS100LE ELECT.W.BELT SANDER IN2

4933385150 - BS100LE - 4000385151





Position	Quantity	Description	Part number	EAN
0004	1	CONNECTION CABLE	4931250832	4002395586042
0005	1	PROTECTING COVER	4931375305	4002395680092
0006	1	RATING PLATE	5131000000	
0008	1	NAME PLATE	5131000000	
0100	1	MOTOR HOUSING	4931385160	4002395738083
0101	1	BELT GUARD	4931375309	4002395680139
0102	1	ABSOLUTE UNIT	4931385162	4002395738090
0103	1	BLOWER COVER	4931385164	4002395738106
0104	1	BEARING END PLATE	4931375296	4002395680009
0105	1	ELECTRIC FIELD	4931278688	4002395589630
0106	1	ARMATURE	4931375297	4002395680016
0109	2	BALL BEARING D 625 6200 2RS LDS	4931913855	4002395706495
0110	1	SEAL RING	4931278753	4002395590032
0116	1	AIR DEFLECTOR RING	4931375298	4002395680023
0117	1	HANDLE COVER	5131000000	
0118	1	AIR DEFLECTOR RING	4931278709	4002395589715
0119	1	FAN	4931375295	4002395679997
0130	2	BRUSH HOLDER	4931375310	4002395680146
0131	1	CARBON BRUSH SET	4931375311	4002395680153
0133	1	ELECTRONIC ELEMENT	4931375301	4002395680054
0134	2	BRUSH HOLDER CAP	4931375312	4002395680160
0135	1	SWITCH	4931385159	4002395738076
0137	1	TRIAC	4931375303	4002395680078
0138	3	SCREW	5131000000	
0140	1	CAPACITOR	4931309142	4002395594221
0142	2	CONNECTOR	4931239963	4002395584796
0143	1	CABLE COLLAR	5131000000	
0150	1	DRIVING ROLL	4931278727	4002395589791
0151	1	RETAINING BOLT	4931610418	4002395694020
0152	4	WASHER	4931278754	4002395590049
0153	1	STEERING ROLLER	4931278741	4002395589920
0154	4	BEARING SLEEVE	4931278756	4002395590056
0155	1	STEERING ROLL.SUPP	4931345231	4002395632657
0156	1	STEERING ROLL.AXLE	4931278736	4002395589876
0157	1	TENSION LEVER	4931345232	4002395632664
0158	1	SPRING	4931278738	4002395589890
0159	1	DISTANCE SLEEVE	4931278739	4002395589906
0160	1	PULLEY	4931278723	4002395589753
0161	1	TOOTHED BELT	4931278724	4002395589760
0162	1	PULLEY	4931278733	4002395589845
0163	1	GEAR BOX COVER	4931278732	4002395589838
0164	1	GASKET	4931278770	4002395590087
0165	1	PINION	4931313801	4002395598052
0166	1	GEAR	4931278730	4002395589814
0167	1	BALL BEARING D 625 6200 2Z LDS	4931918146	4002395706532
0168	1	ADJUSTING SCREW	4931375313	4002395680177
0169	1	SPRING	4931278729	4002395589807
0170	1	COVER	4931385165	4002395738113
0171	3	GUIDE	4931375315	4002395680191
0172	1	SUPP. FOR SAND BELT	4931345233	4002395632671

Position	Quantité	Désignation	Référence	EAN
0173	1	SPRING PLATE	4931345234	4002395632688
0174	1	SPRING	4931278699	4002395589654
0180	4	SCREW	5131000000	
0181	1	SCREW	5131000000	
0206	1	SLEEVE N874989 HKO 0810	4931912093	4002395706464
0210	8	SCREW	5131000000	
0211	2	SCREW	4931278751	4002395590025
0212	4	SCREW	5131000000	
0213	2	SCREW	5131000000	
0214	2	SCREW	5131000000	
0217	6	SCREW	4931278750	4002395590018
0219	4	SCREW	5131000000	
0220	2	RING D471 12X1	4931605142	4002395693627
0221	2	SPRING WASHER	4931615407	4002395694334
0222	1	BACKING FLANGE	4931278771	4002395590094
0223	1	SEALING WASHER D 125 5,3 GAL	4931615675	4002395694419
0224	1	SEALING WASHER D 125 4,3 GAL	4931615865	4002395694440
0225	1	NUT D 985 M 4	4931621424	4002395695355
0226	1	DISC	4931375324	4002395680283
0227	1	SEALING WASHER	4931603515	4002395693481
0700	1	DUST BAG HBS(E)/BBS(E) P1 A/M	4932336597	4002395311026