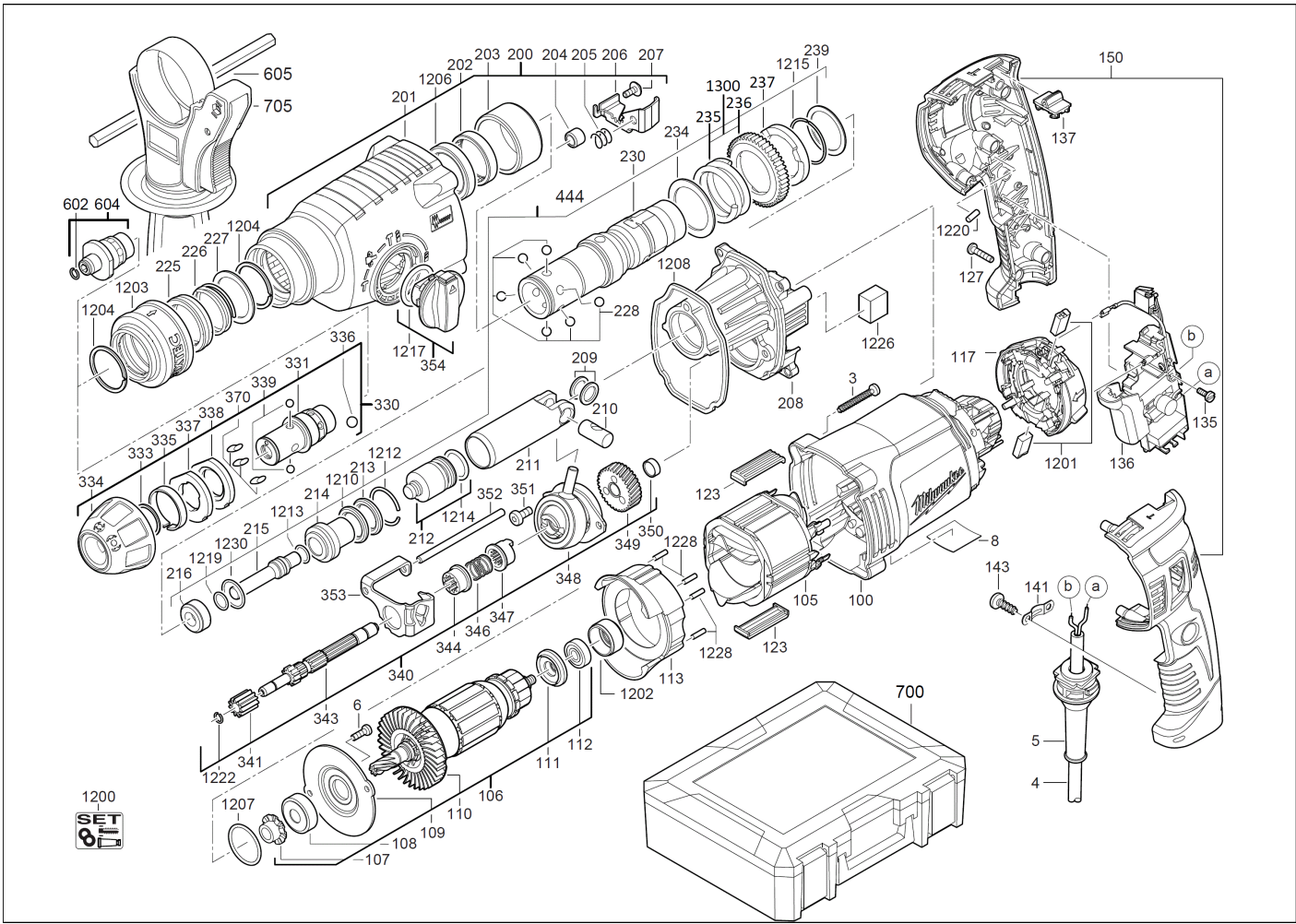


PH30X 240V SDS PLUS COMBI HAMMER IN2

4933396420 - PH30POWERX - 4000396421





Position	Quantity	Description	Part number	EAN
0003	4	SCREW	4931624616	4002395784257
0004	1	CONNECTION CABLE	4931623857	4002395704255
0005	1	PROTECTING COVER	4931393422	4002395752836
0006	2	SCREW	4931624581	4002395768295
0008	1	RATING PLATE	4931455681	4002395175833
0100	1	MOTOR HOUSING	4931396317	4002395755134
0105	1	ELECTRIC FIELD	4931442731	4002395883929
0106	1	ARMATURE	4931442664	4002395883813
0107	1	slinger sleeve	5131000000	
0108	1	GROOV. BALL BEARING	4931396556	4002395834969
0109	1	BEARING COVER	4931396325	4002395752805
0110	1	FAN	4931342793	4002395628544
0111	1	INSULATING DISC	4931396442	4002395766680
0112	1	BALL BEARING	4931902888	4002395706372
0113	1	AIR DEFLECTOR RING	4931396534	4058546075071
0117	1	SET COLLAR	4931396546	4002395798773
0123	2	CENTERING LEDGE	4931342808	4002395628612
0127	6	SCREW N874101-1 SHR H-K4X18 T15	4931624515	4002395757367
0135	2	SCREW	4931621772	4002395695973
0136	1	SPEED GOVERNOR	4931396361	4002395766796
0137	1	SLIDER	4931396368	4002395757527
0141	1	CABLE COLLAR	4931256500	4002395586547
0143	2	SCREW	4931624538	4002395760039
0150	1	HANDLE SET	4931396450	4002395776566
0200	1	GEAR BOX	4931396375	4002395764082
0201	1	GEAR BOX	4931396305	4002395755653
0202	1	NEEDLE BUSH	4931331760	4002395613847
0203	1	BEARING	4931396373	4002395762446
0204	1	NEEDLE BEARING N874989 HK 0709	4931933756	4002395706785
0205	1	PRESSURE SPRING	4931396432	4002395766116
0206	1	LOCKING PLATE	4931396385	4002395766130
0207	1	SCREW	4931396462	4002395780587
0208	1	BEARING END PLATE	4931396314	4002395757343
0209	2	WASHER	4931365112	4002395666027
0210	1	CYLINDRICAL BOLT	4931396336	4002395754991
0211	1	CYLINDER	4931396541	4002395792818
0212	1	PERCUSSION BODY	4931455431	4002395176496
0213	1	THRUST COLLAR	4931396548	4002395800612
0214	1	SLEEVE	4931409779	4002395835416
0215	1	SNAP DIE	4931396428	4002395766727
0216	1	STOP WASHER	4931396427	4002395766710
0225	1	RING STOP	4931409754	4002395905690
0226	1	PRESSURE SPRING	692737001	4002395854189
0227	1	WASHER	4931624257	4002395726158
0228	6	BALL	4931805437	4002395706037
0230	1	SPINDLE SLEEVE	4931417458	4002395833467
0234	1	WASHER	4931624457	4002395755172
0237	1	CLUTCH DISC	4931396339	4002395755028
0239	1	WASHER	4931624639	4002395787661
0330	1	ADAPTER	4931384684	4002395731107

Position	Quantité	Désignation	Référence	EAN
0331	1	ADAPTER	4931409763	4002395834709
0333	1	SPRING RING	4931622874	4002395699568
0334	1	SET SLEEVE	4931384681	4002395730919
0335	1	SPRING	4931321064	4002395602865
0336	1	BALL	4931911572	4002395706457
0337	1	JUMPER RING	4931343034	4002395629251
0338	1	SPACER	4931343057	4002395629299
0339	2	BALL	4931805413	4002395706020
0340	1	REDUCT. GEAR SHAFT	4931396444	4002395769278
0341	1	SPROCKET	4931375873	4002395789627
0343	1	REDUCT. GEAR SHAFT	4931417721	4002395835126
0344	1	INTERN.GEARED WHEEL	4931375874	4002395766833
0346	1	PRESSURE SPRING	4931396545	4002395794065
0347	1	COUPLING SLEEVE	4931396329	4002395755066
0348	1	WOBBLE DRIVE	4931396522	4002395794072
0349	1	REDUCTION GEAR	4931426238	4002395905843
0350	1	DISTANCE SLEEVE	4931396369	4002395756001
0351	2	SCREW	4931624678	4002395791873
0352	1	CYLINDER PIN	4931624471	4002395755202
0353	1	SLIDING SWITCH	4931396384	4002395766277
0354	1	SWITCH HANDLE	4931396347	4002395755127
0370	3	HOLDING-DOWN DEVICE	4931396400	4002395751198
0444	1	SPINDLE SLEEVE	4931407935	4002395814213
0602	1	RING SPRING	4931302074	4002395591602
0604	1	CHUCK ADAPTER	4931392452	4002395736379
0605	1	DEPTH GAUGE	4931384434	4002395719402
0700	1	CARRYING CASE	4931415325	4002395825769
0705	1	HANDLE	4931392747	4002395751419
1200	1	MAINTENANCE SET	4931396419	4002395788682
1201	1	CARBON BRUSH SET	4931396547	4002395814398
1202	1	RUBBER SLEEVE	4931396532	4002395790272
1203	1	SLEEVE	4931396445	4002395766734
1204	2	SPRING RING	4931945764	4002395707317
1206	1	SEAL RING D 3760 AS 22X35X7	4931624259	4002395726202
1207	1	SEAL RING	4931623961	4002395704934
1208	1	SEAL	4931396374	4002395762453
1210	1	SEAL RING	4931396461	4002395780570
1212	1	RING	4931623636	4002395703142
1213	1	O-RING	562597001	4002395850679
1214	1	SEAL RING	4931396459	4002395778263
1215	1	SPRING RING	4931384919	4002395726714
1217	1	SEAL RING	4931624476	4002395753079
1219	2	SEAL RING	4931624493	4002395755318
1220	1	HOLDING-DOWN DEVICE	562578001	4002395856992
1222	1	SPRING RING	4931624260	4002395724604
1226	1	FELT	4931387563	4002395836109
1228	4	HOLDING-DOWN DEVICE	4931332524	4002395614899
1230	1	O-RING N874701 25X2	4931624381	4002395745289
1300	1	REPAIR KIT	4931432150	4002395900473