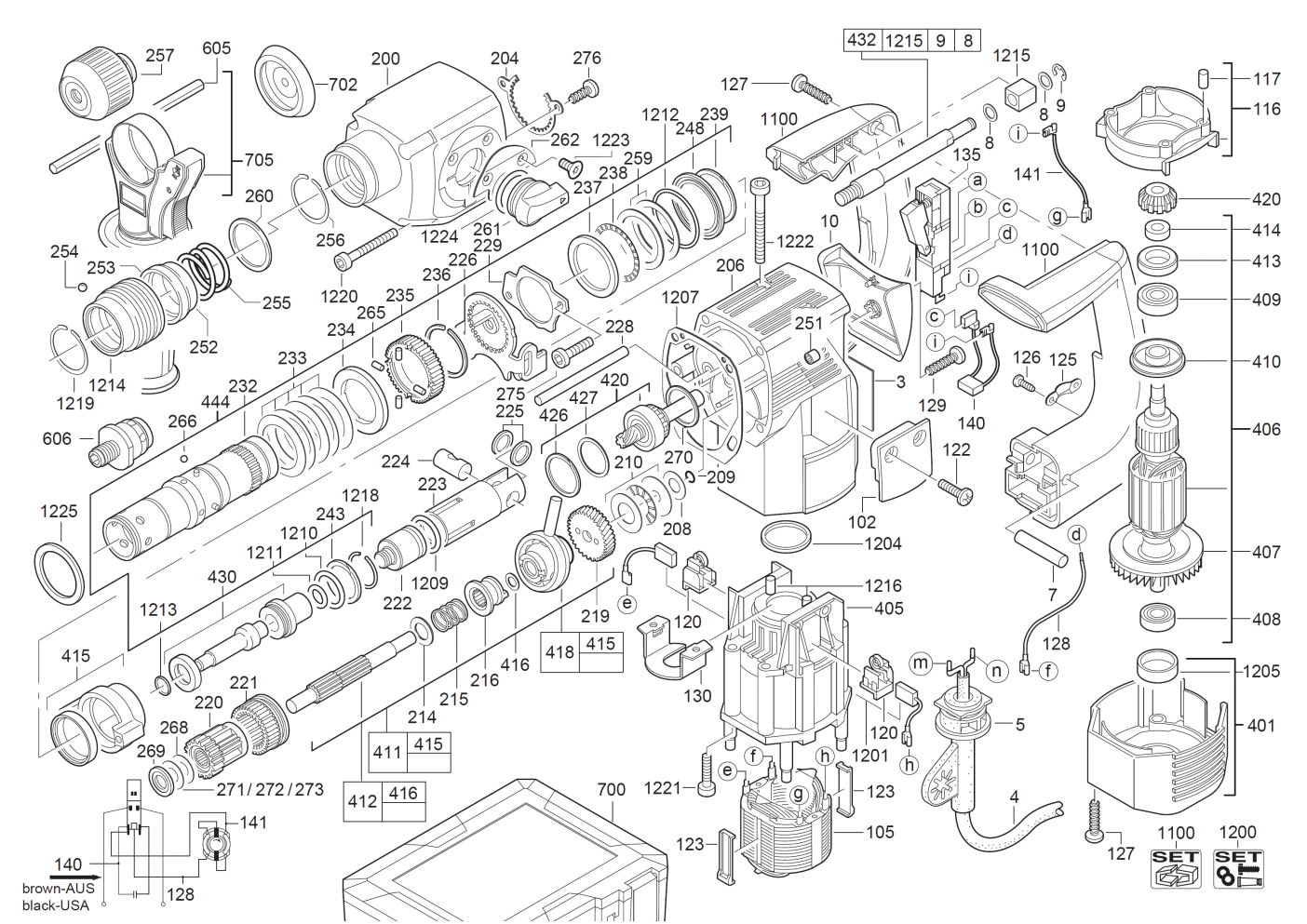


PLH32XE 240V COMBI HAMMER IN2

4933400069 - PLH32XE - 4000432294





Position	Quantity	Description	Part number	EAN
0003	1	RATING PLATE	4931432298	4002395897636
0004	1	CONNECTION CABLE	4931250832	4002395586042
0005	1	PROTECTING COVER	4931392174	4002395772872
0007	1	GROOVED DOWEL PIN	4931623456	4002395702251
0008	2	WASHER	4931623094	4002395700370
0009	1	WASHER	4931621834	4002395696185
0010	1	GEAR BOX COVER	4931360377	4002395655694
0102	2	COVER	4931379134	4002395685899
0105	1	ELECTRIC FIELD	4931442731	4002395883929
0116	1	AIR DEFLECTOR RING	4931353230	4002395641390
0117	4	HOLDING-DOWN DEVICE	4931405705	4002395799831
0120	2	BRUSH HOLDER	4931382268	4002395690961
0122	4	SCREW	4931624518	4002395757398
0123	2	CENTERING LEDGE	4931342808	4002395628612
0125	1	CABLE COLLAR	4931256500	4002395586547
0126	2	CABLE COLLAR	4931256500	4002395586547
0127	7	SCREW N874101-1 SHR H-K4X18 T15	4931624515	4002395757367
0128	1	WIRE	4931623541	4002395702756
0129	1	SCREW	4931622153	4002395696901
0130	1	BEARING COVER	4931356869	4002395648214
0135	1	SWITCH BOARD	4931384896	4002395726554
0140	1	CAPACITOR	4931624270	4002395725977
0141	1	WIRE	4931624269	4002395725991
0200	1	GEAR BOX	4931384040	4002395712496
0204	1	LOCKING RING	4931331685	4002395613632
0206	1	GEAR BOX	4931382948	4002395711109
0208	1	WASHER	4931623637	4002395703159
0209	1	O-RING N874701 5X1	4931941082	4002395706945
0210	1	THRUST BEARING	4931360041	4002395654970
0214	1	DISC	4931621983	4002395696536
0215	1	PRESSURE SPRING	4931379589	4002395687008
0216	1	COUPLING SLEEVE	4931379649	4002395687183
0219	1	REDUCTION GEAR	4931426234	4002395905829
0220	1	PLANET GEAR	4931384917	4002395731190
0221	1	INTERN.GEARED WHEEL	4931331769	4002395613854
0222	1	PERCUSSION BODY	4931455430	4002395176489
0223	1	CYLINDER	4931379587	4002395686995
0224	1	CYLINDRICAL BOLT	4931331623	4002395613601
0225	2	WASHER	4931400589	4002395765980
0226	1	SLIDER	4931331752	4002395613816
0228	1	PIN	4931623081	4002395700332
0229	1	LATCH PLATE	4931331787	4002395613908
0232	1	SPINDLE SLEEVE	4931417464	4002395833955
0233	5	CUP SPRING	4931379071	4002395685653
0234	1	CLUTCH DISC	4931379110	4002395685776
0235	1	SPINDLE GEAR	4931392752	4002395743292
0236	1	SPRING RING	4931384919	4002395726714
0237	1	WASHER	4931623199	4002395700998
0238	1	THRUST BEARING	4931331713	4002395613694
0239	1	LOCKING WASHER	4931343187	4002395629527

Position	Quantité	Désignation	Référence	EAN
0243	1	THRUST COLLAR	4931387328	4002395753499
0248	1	WASHER	4931343049	4002395629282
0251	2	NEEDLE BEARING	4931219424	4002395583874
0252	1	SLEEVE	4931382921	4002395716241
0253	1	RING STOP	4931409774	4002395837205
0254	6	BALL	4931805437	4002395706037
0255	1	PRESSURE SPRING	692737001	4002395854189
0256	1	SPRING RING	4931945764	4002395707317
0257	1	ADAPTER	4931379739	4002395687510
0259	2	WASHER	4931623200	4002395701001
0260	1	WASHER	4931623234	4002395701100
0261	1	SWITCH HANDLE	4931392506	4002395739318
0262	1	LATCH PLATE	4931379108	4002395685752
0265	4	CYLINDER PULLEY	4931624045	4002395705269
0266	4	BALL	4931805390	4002395706013
0268	1	DISC N874237	4931624096	4002395705528
0269	1	SPACER	4931379420	4002395686773
0270	1	SUPPORTING PLATE	4931409756	4002395905775
0271	1	DISC N874237	4931624098	4002395705542
0272	1	DISC N874237	4931624097	4002395705535
0273	1	DISC N874237	4931624096	4002395705528
0275	2	SCREW	4931623602	4002395703036
0276	2	SCREW	4931379708	4002395687411
0401	1	MOTOR COVER	4931360732	4002395656301
0405	1	MOTOR HOUSING	4931384337	4002395718429
0406	1	ARMATURE	4931449967	4002395174430
0407	1	FAN	4931342793	4002395628544
0408	1	GROOVED BALL BEAR.	4931341740	4002395626991
0409	1	BALL BEARING	4931624101	4002395705566
0410	1	INSULATING DISC	4931353260	4002395641482
0411	1	REPAIR KIT	4931384561	4002395721740
0412	1	REDUCT. GEAR SHAFT	4931384864	4002395724963
0413	1	SEAL RING	4931442301	4002395888955
0414	1	SPACER	4931353238	4002395641413
0415	1	BUSHING	4931384557	4002395772704
0416	1	DISC N874237 A 10,1X18X1	4931624264	4002395725014
0418	1	REPAIR KIT	4931384560	4002395721733
0420	1	PINION SHAFT	4931432300	4002395898763
0426	1	LOCKING RING	4931616614	4002395694624
0427	1	DISC N874237 A16,1X26X1	4931622564	4002395698417
0430	1	REPAIR KIT	4931379881	4002395687978
0432	1	REPAIR KIT	4931400216	4002395753321
0444	1	SPINDLE SLEEVE	4931407945	4002395814312
0605	1	DEPTH GAUGE	4931384434	4002395719402
0606	1	CHUCK ADAPTER	4931409790	4002395834754
0700	1	CARRYING CASE	4931415335	4002395827961
1100	1	HANDLE COMPL.	4931384324	4002395723300
1200	1	MAINTENANCE SET	4931384723	4002395722884
1201	1	CARBON BRUSH SET	4931369477	4002395673476
1204	1	O-RING	4931623124	4002395700516

Position	Quantité	Désignation	Référence	EAN
1205	1	RUBBER SLEEVE	4931360781	4002395656479
1207	1	GASKET	4931331735	4002395613762
1209	1	SEAL RING	4931379705	4002395687381
1210	1	SEAL RING	4931624492	4002395753529
1211	1	O-RING	562597001	4002395850679
1212	1	O-RING	4931623135	4002395700608
1213	1	SEAL RING	4931623232	4002395701094
1214	1	SLEEVE	4931379022	4002395685387
1215	1	DAMPING ELEMENT	4931392502	4002395738618
1216	2	HOLDING-DOWN DEVICE	4931331549	4002395613465
1218	1	RING	4931623636	4002395703142
1219	1	SPRING RING	4931945764	4002395707317
1220	4	SCREW	4931623521	4002395702619
1221	4	SCREW	4931623520	4002395702602
1222	2	SCREW	4931623519	4002395702596
1223	2	SCREW	4931379109	4002395685769
1224	1	O-RING	4931623293	4002395701209
1225	1	FELT WASHER	4931379585	4002395686988
0702	1	DUST CATCHER Dust coll ring P1AM	4932430912	4002395385744
0705	1	HANDLE PHE P1 A/M	4932373725	4002395352647