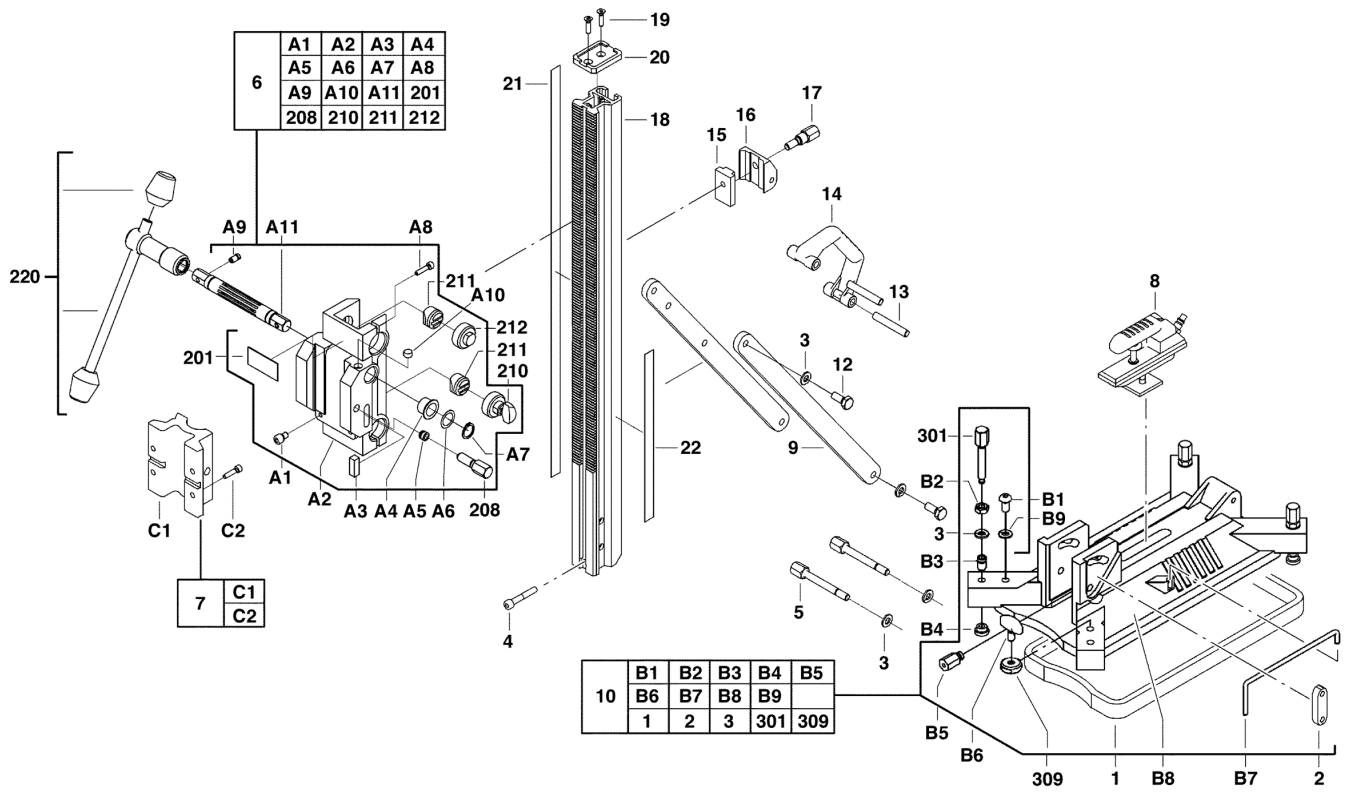


DR250TV DIAMOND DRILL RIG IN2

4933400590 - DR250TV - 4000400591





Position	Quantity	Description	Part number	EAN
0001	1	SEAL	4931400613	4002395764631
0002	1	BLOCK	4931400614	4002395825790
0003	4	WASHER	4931400615	4002395825806
0004	1	WASHER	4931400616	4002395825813
0005	2	SCREW	4931400617	4002395825820
0006	1	ABSOLUTE UNIT	4931400618	4002395825837
0007	1	PLATE	4932399733	4002395363841
0008	1	CLAMPING SET	4931400620	4002395775422
0009	2	SUPPORT BRACKET	4931400621	4002395825851
0010	1	ABSOLUTE UNIT	4931400622	4002395825868
0012	4	SCREW	4931400623	4002395825875
0013	2	SHAFT	4931400624	4002395825882
0014	1	HANDLE	5131000000	
0015	1	TENSIONING DEVICE	4931400626	4002395825905
0016	1	ANGLE STOP	5131000000	
0017	1	CLAMP	4931400628	4002395764273
0018	1	ACCEPTANCE	4931400629	4002395825929
0019	2	SCREW	4931400630	4002395825936
0020	1	COVER	4931400631	4002395825943
0021	1	STICKER	4931400632	4002395825950
0022	1	STICKER	4931413751	4002395826537
0201	1	RATING PLATE	5131000000	
0208	1	SCREW	4931400650	4002395764211
0210	1	NUT	4931400652	4002395764228
0211	4	GUIDE ELEMENT	4931400653	4002395773046
0212	1	SCREW	4931400654	4002395764624
0220	1	LEVER	4931400599	4002395764617
0301	4	BOLT SET	4931400633	4002395764280
0309	1	NUT	5131000000	