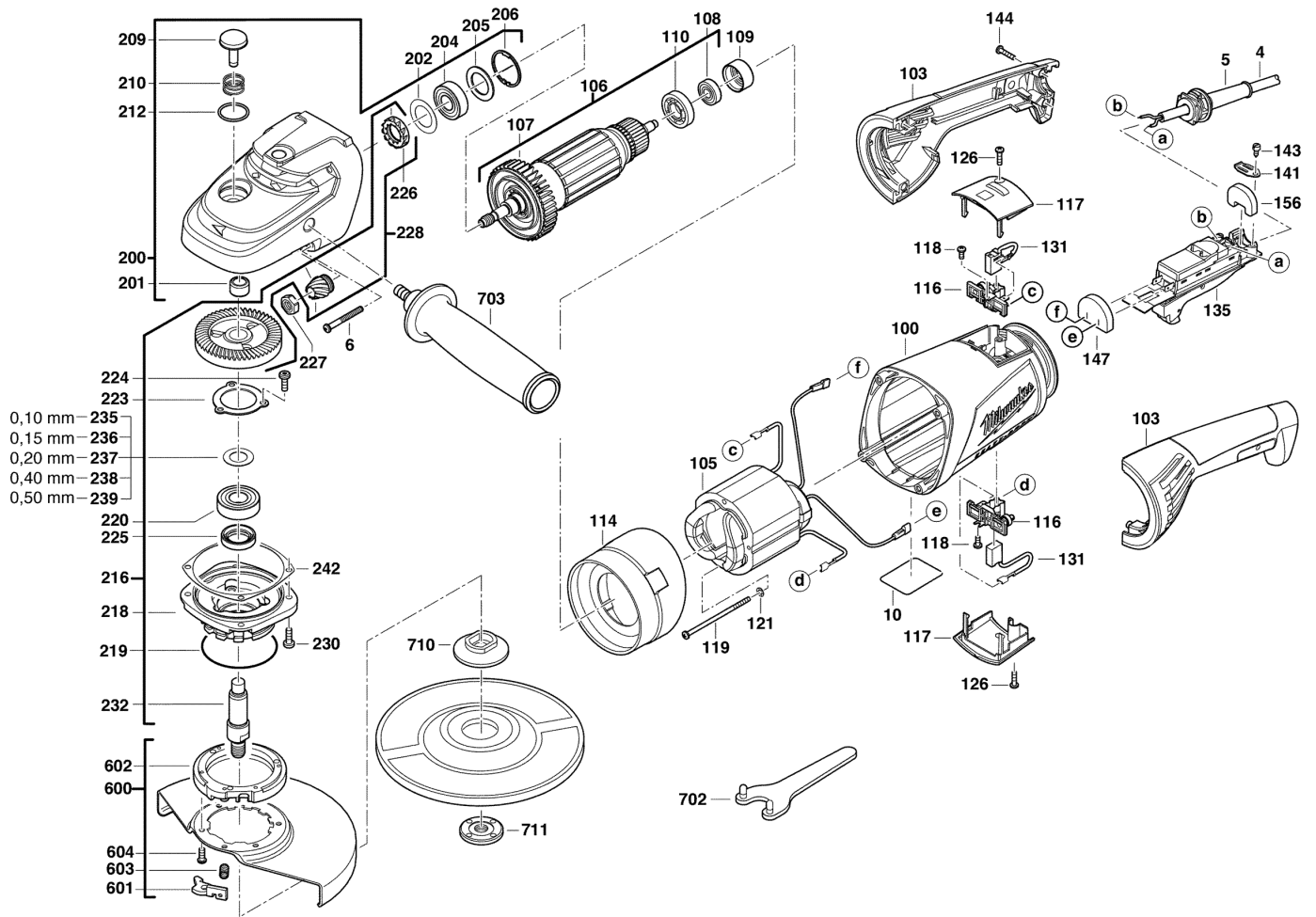


AG24-230E ANGLE GRINDER IN2

4933402325 - AG24-230E - 4000402326





| Position | Quantity | Description | Part number | EAN |
|----------|----------|--|-------------|---------------|
| 0004 | 1 | CONNECTION CABLE | 4931455392 | 4002395174911 |
| 0005 | 1 | PROTECTING COVER | 4931387206 | 4002395746798 |
| 0006 | 4 | SCREW N874101-1 SHR C-K5X45/20 KOMBITORX | 4931622765 | 4002395699094 |
| 0010 | 1 | RATING PLATE | 5131000000 | |
| 0100 | 1 | MOTOR HOUSING | 4931402268 | 4002395766086 |
| 0103 | 1 | SWITCH HANDLE | 5131000000 | |
| 0105 | 1 | ELECTRIC FIELD | 4931442754 | 4002395885206 |
| 0106 | 1 | ARMATURE | 4931442695 | 4002395883752 |
| 0107 | 1 | FAN | 4931334394 | 4002395615940 |
| 0108 | 1 | BALL BEARING | 4931341741 | 4002395627004 |
| 0109 | 1 | RUBBER SLEEVE | 4931329086 | 4002395610396 |
| 0110 | 1 | SEAL RING | 4931402219 | 4002395766123 |
| 0114 | 1 | AIR DEFLECTOR RING | 4931402269 | 4002395766093 |
| 0116 | 2 | BRUSH HOLDER | 4931381694 | 4002395780303 |
| 0117 | 2 | COVER | 4931402169 | 4002395763252 |
| 0118 | 2 | SCREW | 4931624538 | 4002395760039 |
| 0119 | 2 | SCREW | 4931331734 | 4002395613755 |
| 0121 | 2 | SPRING WASHER D 137 B 4 | 4931619992 | 4002395695232 |
| 0126 | 3 | SCREW | 4931624537 | 4002395760022 |
| 0131 | 1 | CARBON BRUSH SET | 4931395107 | 4002395780518 |
| 0135 | 1 | SWITCH | 4931402034 | 4002395763214 |
| 0141 | 1 | CABLE COLLAR | 4931329273 | 4002395610617 |
| 0144 | 4 | SCREW | 4931618253 | 4002395694945 |
| 0147 | 1 | DUST SEAL | 4931402013 | 4002395758302 |
| 0156 | 1 | DUST SEAL | 4931402286 | 4002395764754 |
| 0200 | 1 | GEAR BOX | 4931402161 | 4002395765812 |
| 0201 | 1 | SLEEVE | 4931621981 | 4002395696512 |
| 0202 | 1 | DISC N874237 22,5X35X0,3 | 4931621629 | 4002395695720 |
| 0204 | 1 | BALL BEARING | 4931624305 | 4002395738595 |
| 0205 | 1 | DISC | 4931622897 | 4002395699636 |
| 0206 | 1 | LOCKING RING | 4931334400 | 4002395615971 |
| 0209 | 1 | LOCKING BOLT | 4931402166 | 4002395763191 |
| 0210 | 1 | PRESSURE SPRING | 4931329173 | 4002395610518 |
| 0212 | 1 | O-RING | 4931622764 | 4002395699087 |
| 0216 | 1 | DRIVE GEAR | 4931402546 | 4002395776870 |
| 0218 | 1 | GEAR ENDPLATE | 4931407540 | 4002395792030 |
| 0219 | 1 | SEAL RING | 4931624672 | 4002395791187 |
| 0220 | 1 | BEARING | 9170316990 | 4002395571147 |
| 0223 | 1 | BEARING COVER | 4931402150 | 4002395758265 |
| 0224 | 7 | SCREW D 7500 M 3X12 | 4931624147 | 4002395711055 |
| 0225 | 1 | RUBBER SLEEVE | 4931279734 | 4002395590599 |
| 0226 | 1 | GREASE RETAIN.DISK | 4931329178 | 4002395758258 |
| 0227 | 1 | NUT | 4931329494 | 4002395610693 |
| 0228 | 1 | BEVEL GEAR PAIR | 4931409592 | 4002395826513 |
| 0232 | 1 | SPINDLE | 4931409816 | 4002395841622 |
| 0235 | 1 | WASHER N874237 | 4931623312 | 4002395701308 |
| 0236 | 1 | DISC | 4931624701 | 4002395814169 |
| 0237 | 1 | COMPENSATING WASHER | 4931622747 | 4002395699001 |
| 0238 | 1 | WASHER | 4931624591 | 4002395877812 |
| 0239 | 1 | DISC N874237 18X27,9X0,5 | 4931941094 | 4002395706952 |

| Position | Quantité | Désignation | Référence | EAN |
|-----------------|-----------------|----------------------------------|------------------|---------------|
| 0242 | 1 | GASKET | 4931329150 | 4002395610488 |
| 0600 | 1 | GUARD CAP | 4931426625 | 4002395856473 |
| 0601 | 1 | CATCH LEVER | 4931402072 | 4002395758210 |
| 0602 | 1 | FLANGE | 4931402063 | 4002395758203 |
| 0603 | 1 | PRESSURE SPRING | 4931402089 | 4002395758234 |
| 0604 | 5 | SCREW | 4931624491 | 4002395758142 |
| 0702 | 1 | PIN SPANNER 115-230/WP/WSAP1 A/M | 4932367712 | 4002395338467 |
| 0703 | 1 | HANDLE 180-230/WP/WSA P1A/M | 4931433531 | 4002395889259 |
| 0710 | 1 | CLAMPING FLANGE WS115-230 P1 A/M | 4932449324 | 4002395245185 |
| 0711 | 1 | FLANGE NUT M14 3MM P1 A/M | 4932345628 | 4002395313105 |