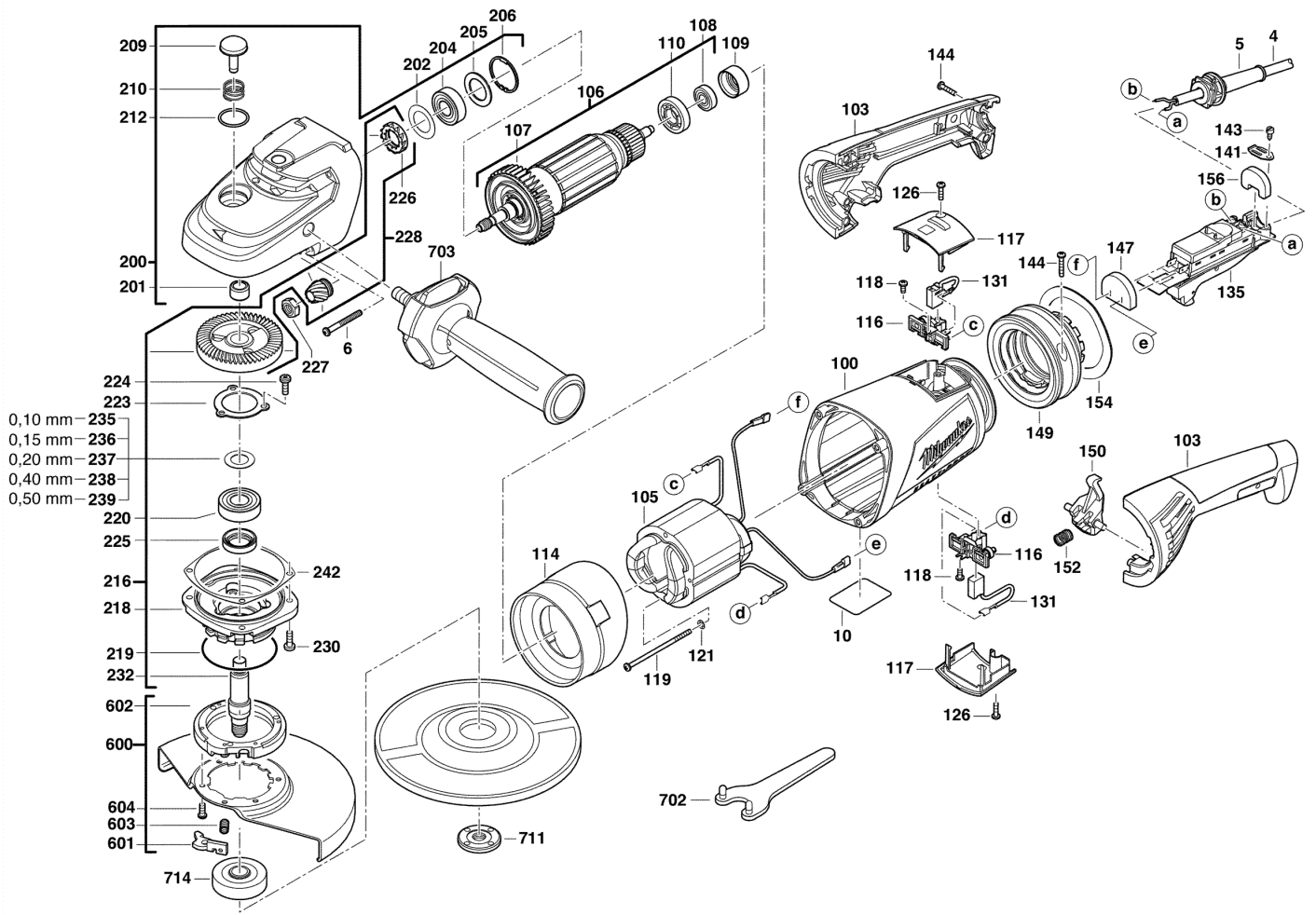


AGV26-230GE/DMS ANGLE GRINDER IN2

4933402490 - AGV26-230GE DMS - 4000402665





Position	Quantity	Description	Part number	EAN
0004	1	CONNECTION CABLE	4931455392	4002395174911
0005	1	PROTECTING COVER	4931387206	4002395746798
0006	4	SCREW N874101-1 SHR C-K5X45/20 KOMBITORX	4931622765	4002395699094
0010	1	RATING PLATE	5131000000	
0100	1	MOTOR HOUSING	4931402268	4002395766086
0103	1	SWITCH HANDLE	4931402176	4002395764143
0105	1	ELECTRIC FIELD	4931442754	4002395885206
0106	1	ARMATURE	4931442695	4002395883752
0107	1	FAN	4931334394	4002395615940
0108	1	BALL BEARING	4931341741	4002395627004
0109	1	RUBBER SLEEVE	4931329086	4002395610396
0110	1	SEAL RING	4931402219	4002395766123
0114	1	AIR DEFLECTOR RING	4931402269	4002395766093
0116	2	BRUSH HOLDER	4931381694	4002395780303
0117	2	COVER	4931402169	4002395763252
0118	2	SCREW	4931624538	4002395760039
0119	2	SCREW	4931331734	4002395613755
0121	2	SPRING WASHER D 137 B 4	4931619992	4002395695232
0126	3	SCREW	4931624537	4002395760022
0131	1	CARBON BRUSH SET	4931369479	4002395673490
0135	1	SWITCH	4931402277	4002395765799
0141	1	CABLE COLLAR	4931329273	4002395610617
0144	6	SCREW	4931618253	4002395694945
0147	1	DUST SEAL	4931402013	4002395758302
0149	1	DAMPER	4931402283	4002395765416
0150	1	LATCH	4931402230	4002395765805
0152	1	PRESSURE SPRING	4931402039	4002395758630
0154	1	SPRING WASHER	4931402029	4002395758616
0156	1	DUST SEAL	4931402286	4002395764754
0200	1	GEAR BOX	4931402161	4002395765812
0201	1	SLEEVE	4931621981	4002395696512
0202	1	DISC N874237 22,5X35X0,3	4931621629	4002395695720
0204	1	BALL BEARING	4931624305	4002395738595
0205	1	DISC	4931622897	4002395699636
0206	1	LOCKING RING	4931334400	4002395615971
0209	1	LOCKING BOLT	4931402166	4002395763191
0210	1	PRESSURE SPRING	4931329173	4002395610518
0212	1	O-RING	4931622764	4002395699087
0216	1	DRIVE GEAR	4931402546	4002395776870
0218	1	GEAR ENDPLATE	4931407540	4002395792030
0219	1	SEAL RING	4931624672	4002395791187
0220	1	BEARING	9170316990	4002395571147
0223	1	BEARING COVER	4931402150	4002395758265
0224	7	SCREW D 7500 M 3X12	4931624147	4002395711055
0225	1	RUBBER SLEEVE	4931279734	4002395590599
0226	1	GREASE RETAIN.DISK	4931329178	4002395758258
0227	1	NUT	4931329494	4002395610693
0228	1	BEVEL GEAR PAIR	4931409592	4002395826513
0232	1	SPINDLE	4931409816	4002395841622
0235	1	WASHER N874237	4931623312	4002395701308

Position	Quantité	Désignation	Référence	EAN
0236	1	DISC	4931624701	4002395814169
0237	1	COMPENSATING WASHER	4931622747	4002395699001
0238	1	WASHER	4931624591	4002395877812
0239	1	DISC N874237 18X27,9X0,5	4931941094	4002395706952
0242	1	GASKET	4931329150	4002395610488
0600	1	GUARD CAP	4931426625	4002395856473
0601	1	CATCH LEVER	4931402072	4002395758210
0602	1	FLANGE	4931402063	4002395758203
0603	1	PRESSURE SPRING	4931402089	4002395758234
0604	5	SCREW	4931624491	4002395758142
0703	1	HANDLE	4931398251	4002395764891
0714	1	AUTOBALANCER	4931402435	4002395766475
0702	1	PIN SPANNER 115-230/WP/WSAP1 A/M	4932367712	4002395338467
0711	1	FLANGE NUT M14 3MM P1 A/M	4932345628	4002395313105