

Milwaukee[®]

Nothing but **HEAVY DUTY**.[®]



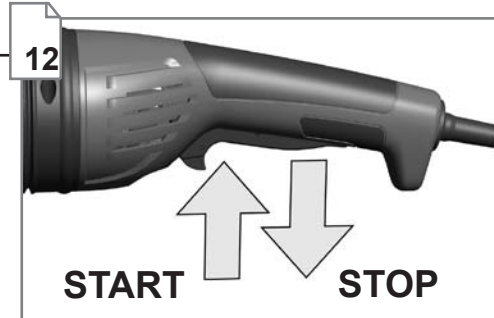
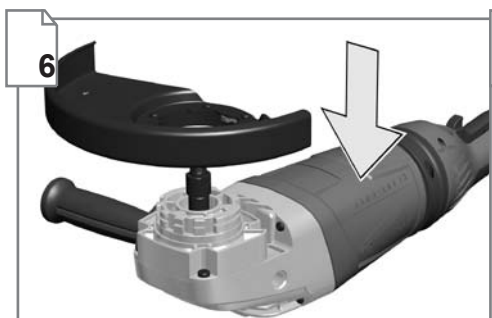
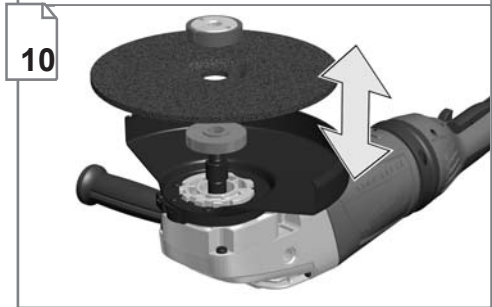
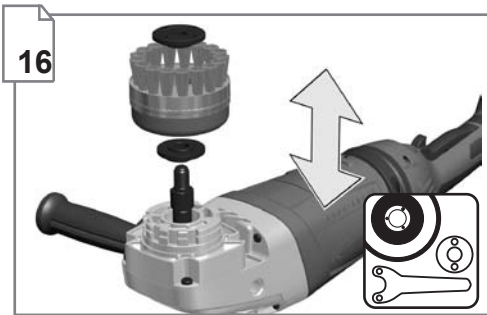
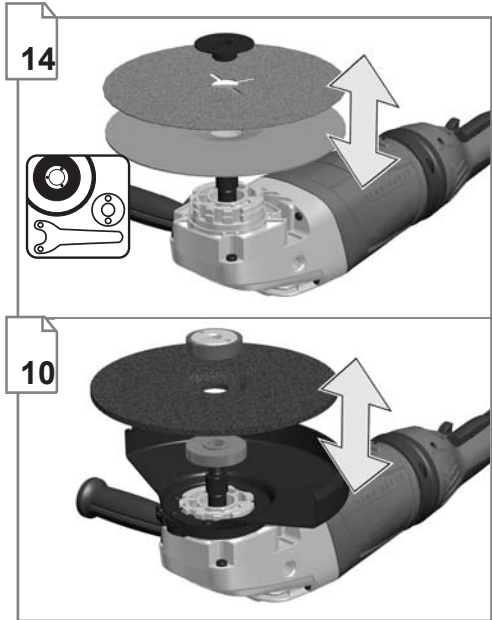
AGVM 24-230 GEX

AGVM 26-230 GEX

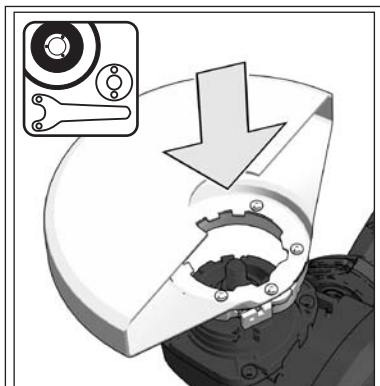
Original instructions
Originalbetriebsanleitung
Notice originale
Istruzioni originali
Manual original
Oorspronkelijke
gebruiksaanwijzing
Original brugsanvisning

Original bruksanvisning
Bruksanvisning i original
Alkuperäiset ohjeet
Πρωτότυπο οδηγιών χρήσης
Orijinal işletme talimatı
Původním návodem k
používání

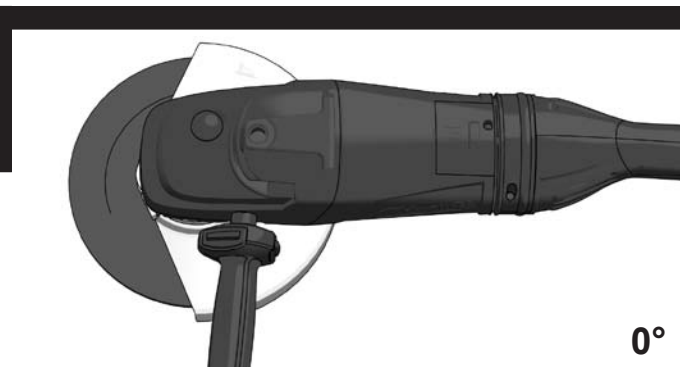
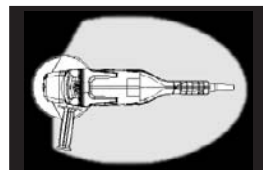
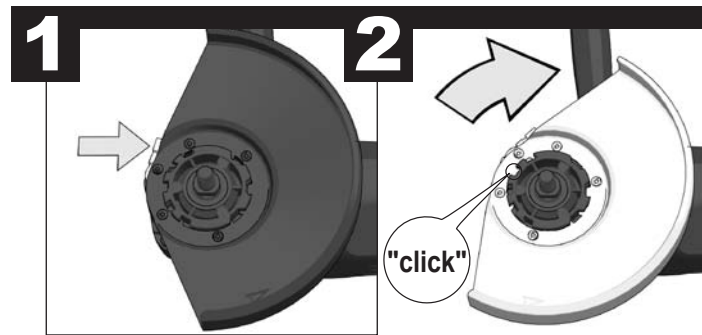
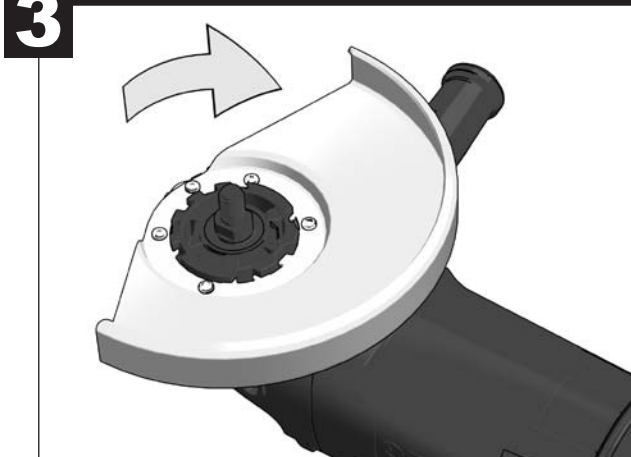
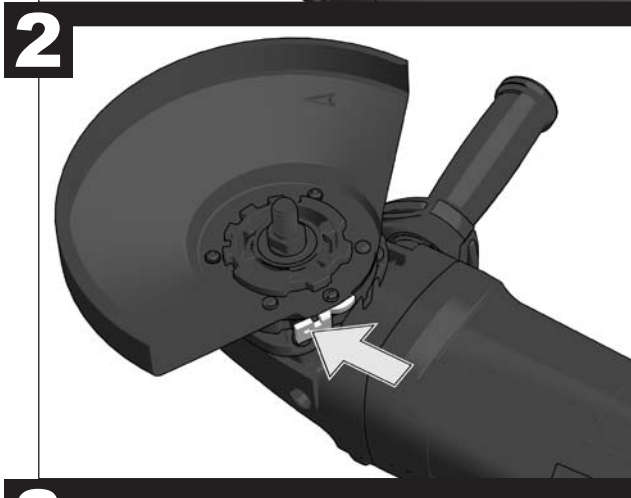
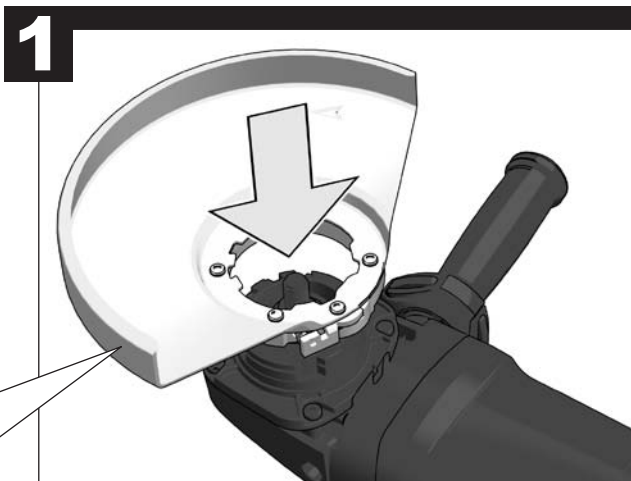
Technical Data, Safety Instructions, Specified Conditions of Use, EC-Declaration of Conformity, Mains connection, Maintenance, Symbols	Please read and save these instructions!	ENGLISH	18
Technische Daten, Sicherheitshinweise, Bestimmungsgemäße Verwendung, CE-Konformitätserklärung, Netzanschluss, Wartung, Symbole	Bitte lesen und aufbewahren!	DEUTSCH	22
Caractéristiques techniques, Instructions de sécurité, Utilisation conforme aux prescriptions, Déclaration CE de Conformité, Branchement secteur, Entretien, Symboles	Prière de lire et de conserver!	FRANÇAIS	26
Dati tecnici, Norme di sicurezza, Utilizzo conforme, Dichiarazione di Conformità CE, Collegamento alla rete, Manutenzione, Simboli	Si prega di leggere le istruzioni e di conservarle!	ITALIANO	30
Datos técnicos, Instrucciones de seguridad, Aplicación de acuerdo a la finalidad, Declaración de Conformidad CE, Conexión eléctrica, Mantenimiento, Símbolos	Lea y conserve estas instrucciones por favor!	ESPAÑOL	34
Características técnicas, Instruções de segurança, Utilização autorizada, Declaração de Conformidade CE, Ligação à rede, Manutenção, Símbolos	Por favor leia e conserve em seu poder!	PORTUGUES	38
Technische gegevens, Veiligheidsadviezen, Voorgeschreven gebruik van het systeem, EC-Konformiteitsverklaring, Netaansluiting, Onderhoud, Symbolen	Lees en let goed op deze adviezen!	NEDERLANDS	42
Tekniske data, Sikkerhedshenvisninger, Tiltænkt formål, CE-Konformitetserklæring, Nettetilslutning, Vedligeholdelse, Symboler	Vær venlig at læse og opbevare!	DANSK	46
Tekniske data, Spesielle sikkerhetshenvisninger, Formålmessig bruk, CE-Samsvarserklæring, Nettetilkopling, Vedlikehold, Symboler	Vennligst les og oppbevar!	NORSK	50
Tekniska data, Säkerhetsutrustning, Använd maskinen Enligt anvisningarna, CE-Försäkran, Nätanslutning, Skötsel, Symboler	Var god läs och tag tillvara dessa instruktioner!	SVENSKA	54
Tekniset arvot, Turvallisuusohjeet, Tarkoituksenmukainen käyttö, Todistus CE-standardin mukaisuudesta, Verkkoliitäntä, Huolto, Symbolit	Lue ja säilytä!	SUOMI	58
Τεχνικά στοιχεία, Ειδικές υποδείξεις ασφαλείας, Χρήση σύμφωνα με το σκοπό προορισμού, Δήλωση πιστοποίησης εκ, Συνδεση στο ηλεκτρικό δίκτυο, Συντήρηση, Σύμβολα	Παρακαλώ διαβάστε τις και φυλάξτε τις!	ΕΛΛΗΝΙΚΑ	62
Teknik veriler, Güvenliğiniz için talimatlar, Kullanım, CE uygunluk beyanince, Şebeke bağlantısı, Bakım, Semboller	Lütfen okuyun ve saklayın	TÜRKÇE	66
Technická data, Speciální bezpečnostní upozornění, Oblast využití, Ce-prohlášení o shodě, Připojení na síť, Údržba, Symboly	Po přečtení uschovejte	ČESKY	70



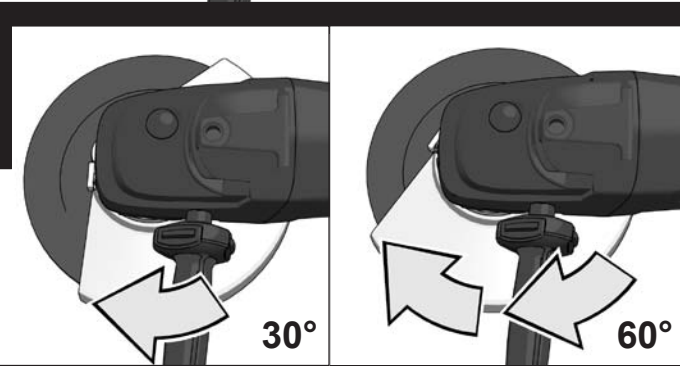
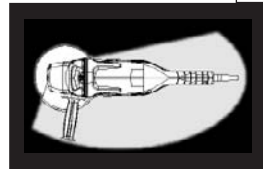
-
- Accessory
 - Zubehör
 - Accessoire
 - Accessorio
 - Acessório
 - Toebehoren
 - Tilbehør
 - Tilbehør
 - Tillbehör
 - Lisälaite
 - Εξαρτήματα
 - Aksesuar
 - Príslušenství



For Separating!
 Für Trennarbeiten!
 For cutting work!
 Pour les travaux de tronçonnage!
 Per lavori di separazione!
 ¡Para trabajos de tronzado!
 Para trabalhos de corte!
 Voor doorslijpwerkzaamheden!
 Til skærearbejder!
 For kutting!
 För kapningsarbeten!
 Katkaisutöihin!
 Για εργασίες κοπής!
 Ayırma işleri için!
 Pro řezací práce!

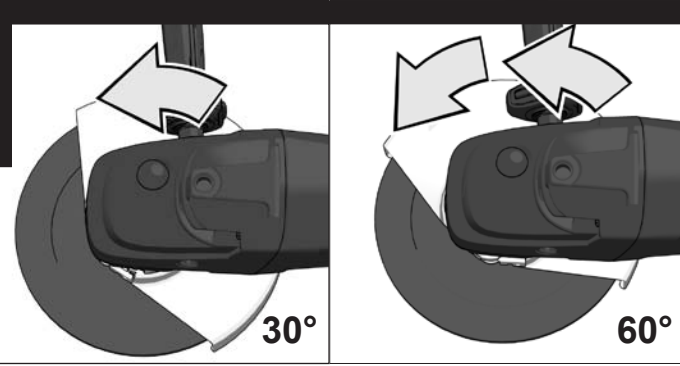
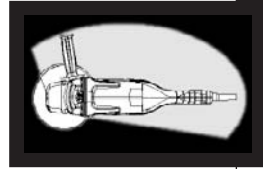


0°



30°

60°

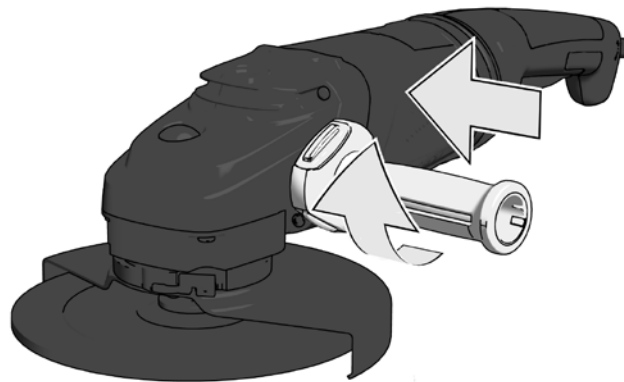


30°

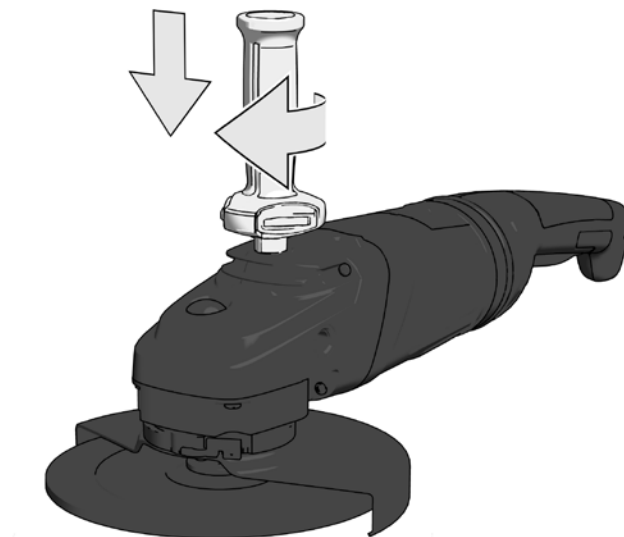
60°



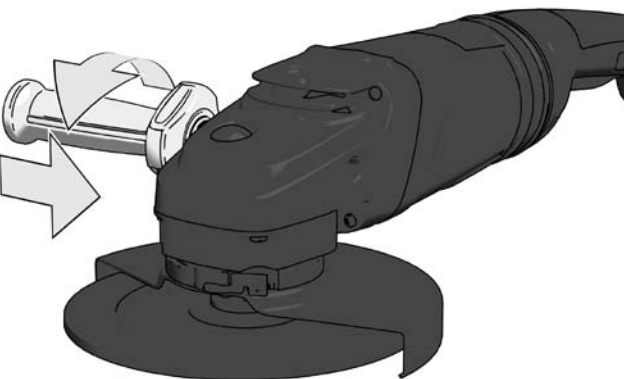
1



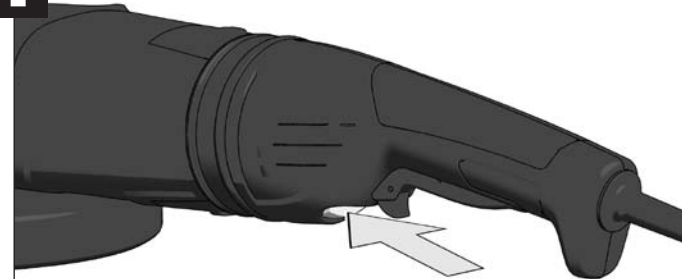
2



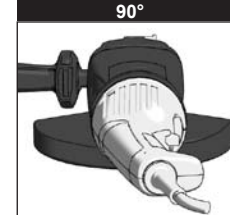
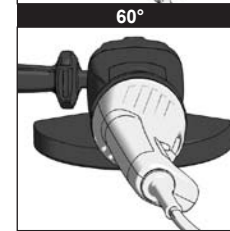
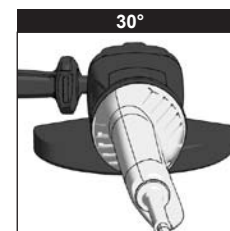
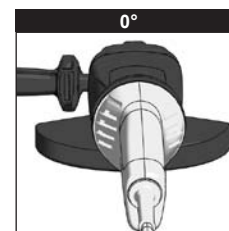
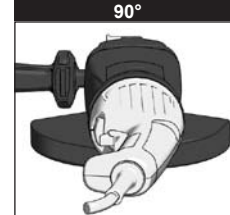
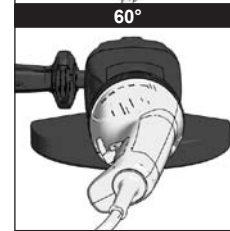
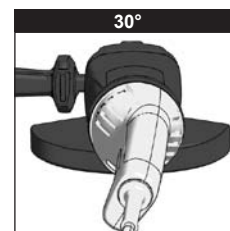
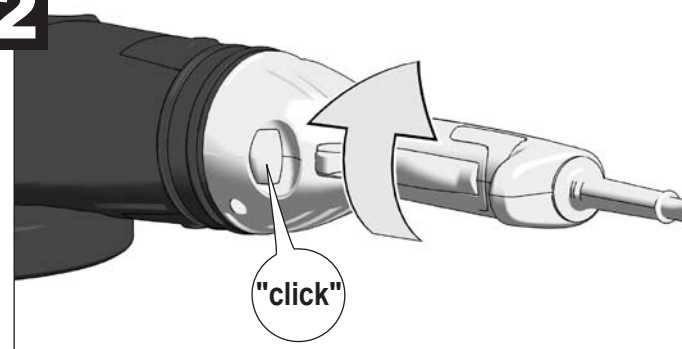
3

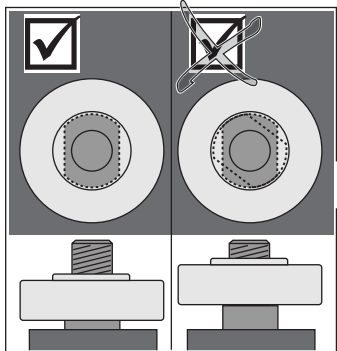
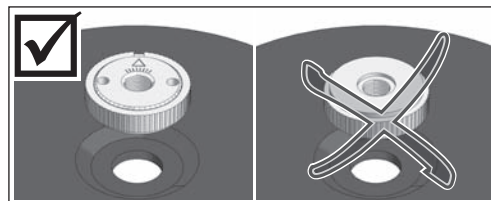
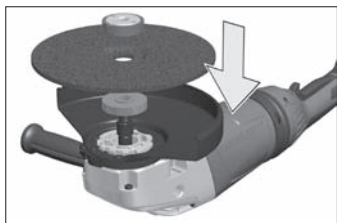


1

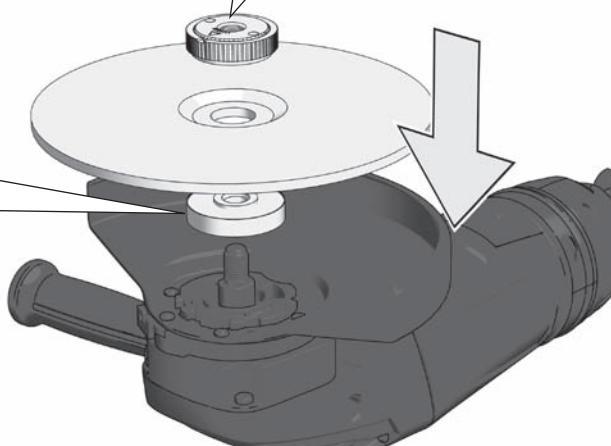


2

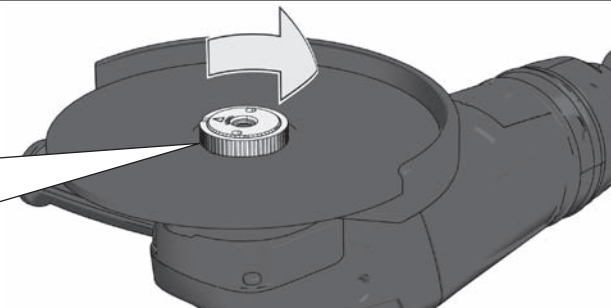




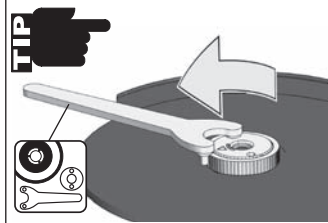
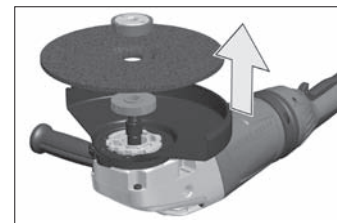
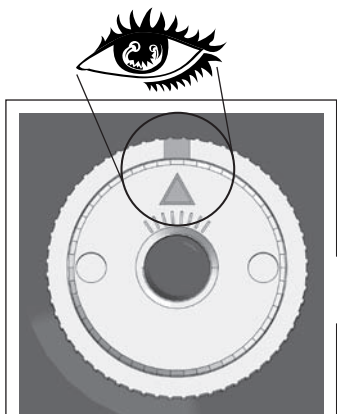
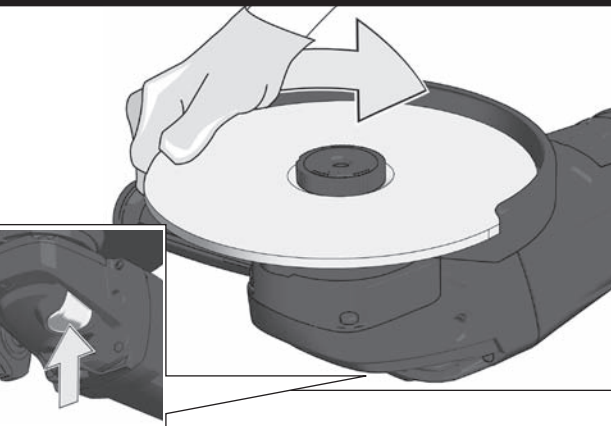
1



2



3



Use a spanner wrench if FIXTEC nuts are stuck.

Bei festsitzender FIXTEC Mutter Zweilochmutter Schlüssel verwenden.

Utiliser une clé à deux ergots si l'écrou FIXTEC est grippé.

Se il dado FIXTEC è bloccato, utilizzare la chiave con 2 fori.

Si la tuerca FIXTEC está agarrotada, utilizar la llave para tuercas de dos agujeros.

Se a porca FIXTEC estiver fixa, utilizar a chave para porcas de dois orifícios.

Bij vastzittende FIXTEC-moer de tweegaats moersleutel gebruiken.

Ved festsittende FIXTEC-møtrik anvendes tohuls-møtriknøgle.

Ved festsittende FIXTEC mutter bruk tohulls skrunøkkel.

Använd den tvåhålade mutternyckeln, om FIXTEC-muttern sitter fast.

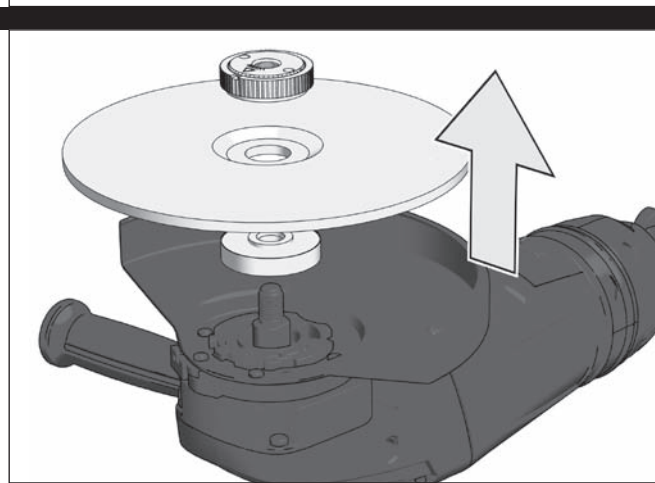
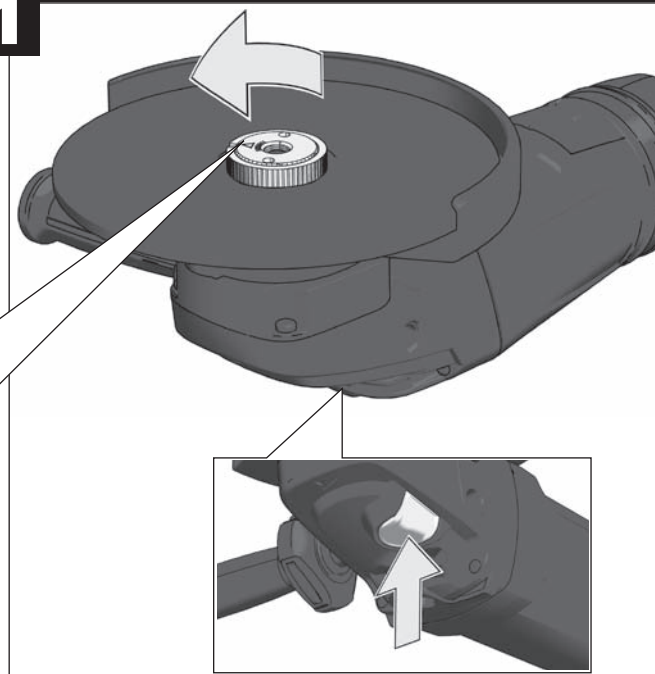
Jos FIXTEC-mutteri on juuttunut kiinni, käytä kaksireikäistä mutteriavainta.

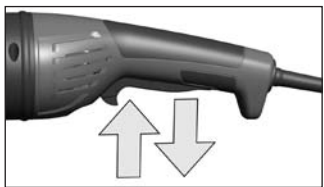
Σε περίπτωση που δεν ξεβιδώνει το FIXTEC παξιμάδι χρησιμοποιείτε κλειδί παξιμαδιών δύο οπών.

Sabit oturan FIXTEC somunları için iki delikli somun anahtarı kullanın.

Při pevně utáhnuté matce FIXTEC použijte dvojdílný klíč na matky.

1



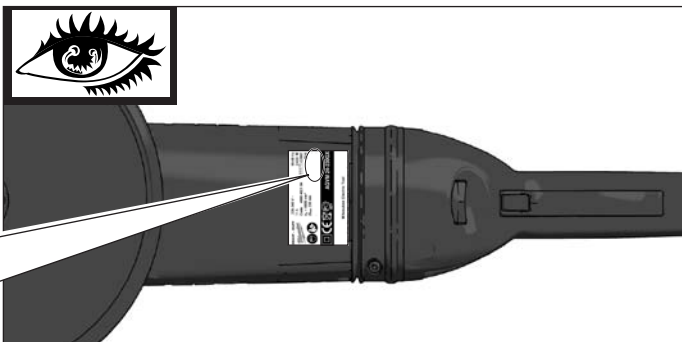


HEAVY - DUTY 220-240 V ~ 50-60 Hz
 11 A 2400 W
 Code: 4000 4021 84 69375 C2007
 n_s = 6600 min⁻¹ n₂₄
 Ø_{max} 230 mm

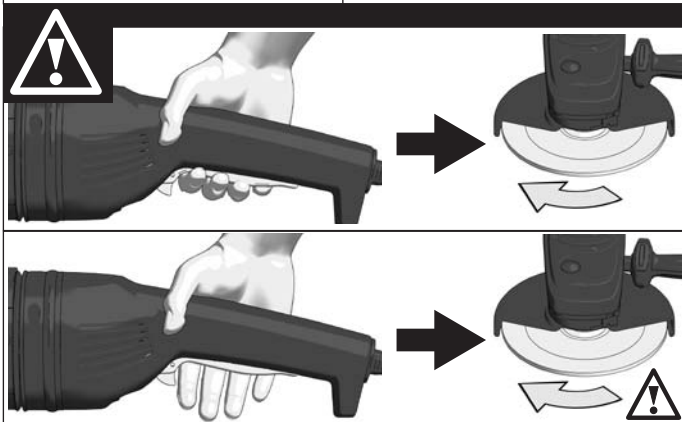
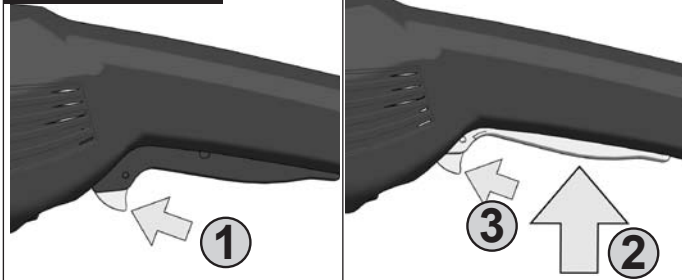
CE PG AGVM 24-230GX

Milwaukee Electric Tool
 Max-Eyth-Strasse 10 - 71364 Winnenden-Germany

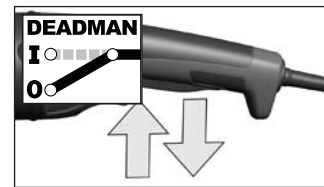
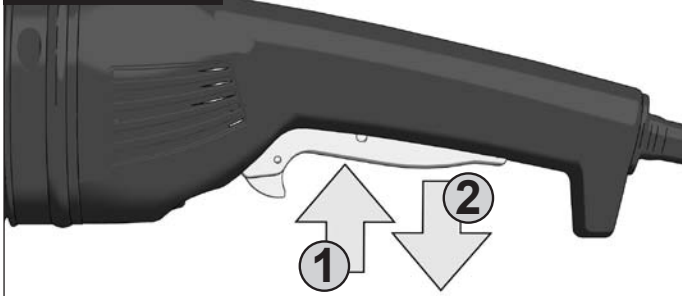
Switch can be locked
 Schalter ist **arretierbar**
 Le commutateur peut être **verrouillé**
 L'interruttore si può **bloccare**
 El interruptor se puede **bloquear**.
 O interruptor pode ser **bloqueado**
 Schakelaar is **vastzetbaar**
 Afbryder kan **fikseres**
 Bryter kan **låses**
 Brytaren kan **arreteras**.
 Katkaisimen voi **lukita**.
 Ο διακόπτης μπορεί να **ασφαλιστεί**
 Şalter ayarlanabilir
 Vypínač je **aretovatelný**



START



STOP

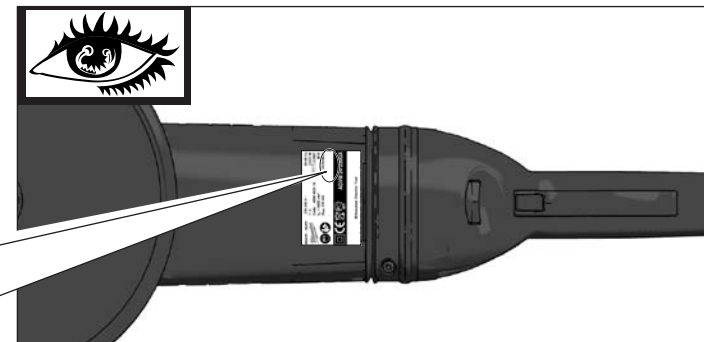


HEAVY - DUTY 220-240 V ~ 50-60 Hz
 11 A 2400 W
 Code: 4000 4025 16 69375 C2007
 n_s = 6600 min⁻¹ n₂₄
 Ø_{max} 230 mm

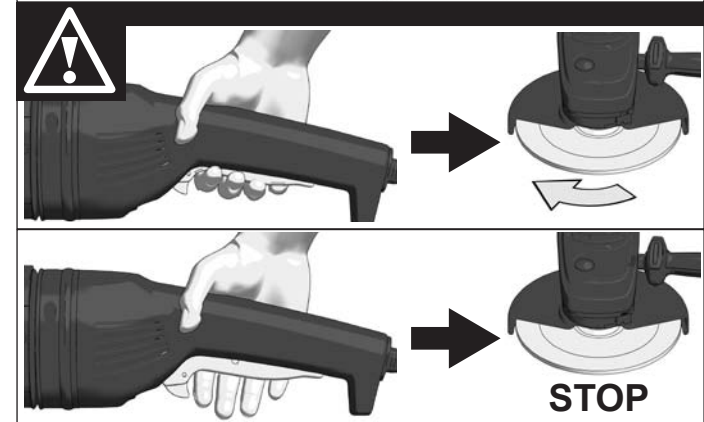
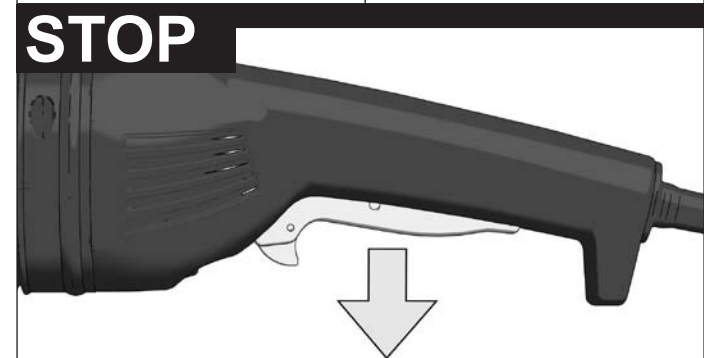
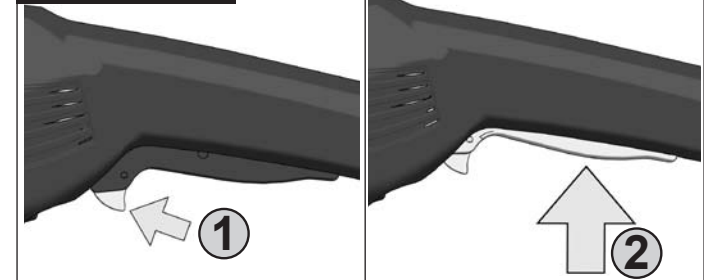
CE PG AGVM 24-230GX

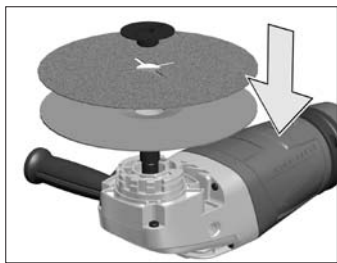
Milwaukee Electric Tool
 Max-Eyth-Strasse 10 - 71364 Winnenden-Germany

Switch cannot be locked
 Schalter ist **nicht arretierbar**
 Le commutateur ne peut pas être **verrouillé**
 L'interruttore non si può **bloccare**
 El interruptor no se puede **bloquear**.
 O interruptor não pode ser **bloqueado**
 Schakelaar is **niet vastzetbaar**
 Afbryder kan **ikke fikseres**
 Bryter kan **ikke låses**
 Brytaren kan **inte arreteras**.
 Katkaisinta ei voi **lukita**.
 Ο διακόπτης **δεν μπορεί να ασφαλιστεί**
 Şalter ayarlanamaz
 Vypínač **není aretovatelný**

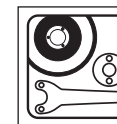
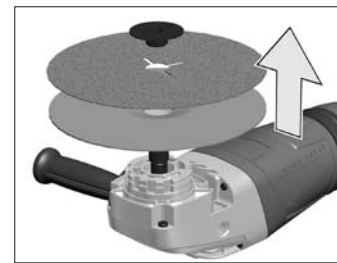


START

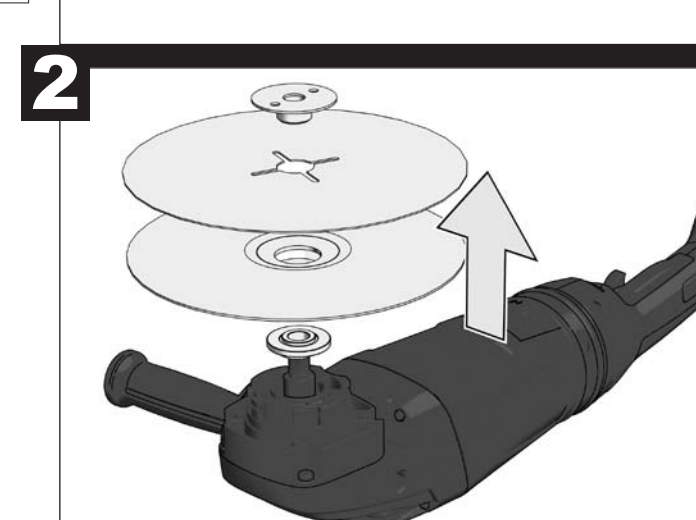
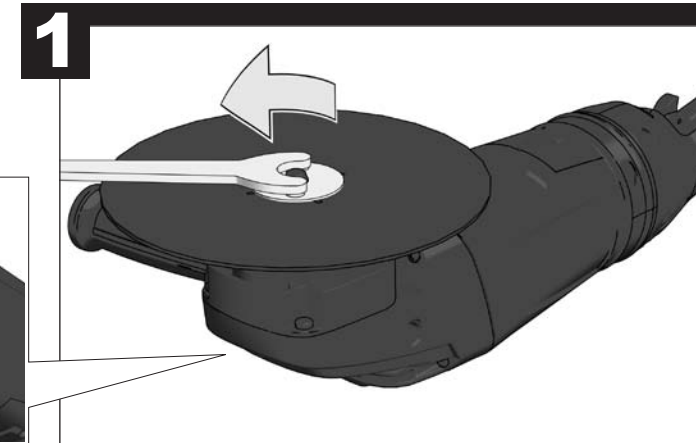
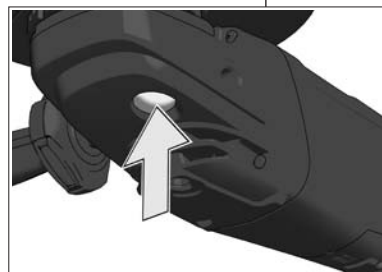
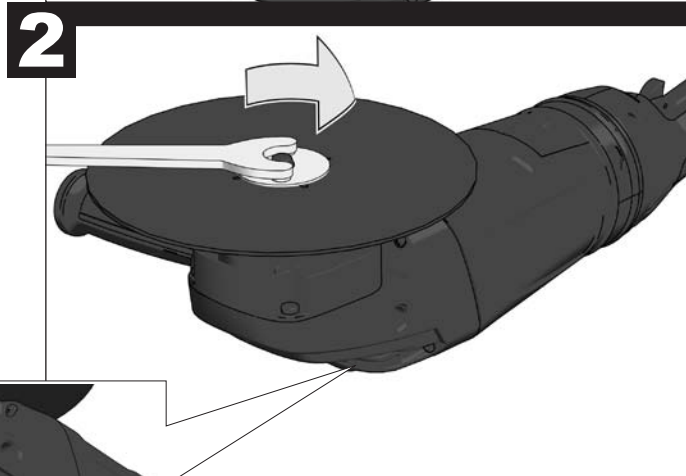
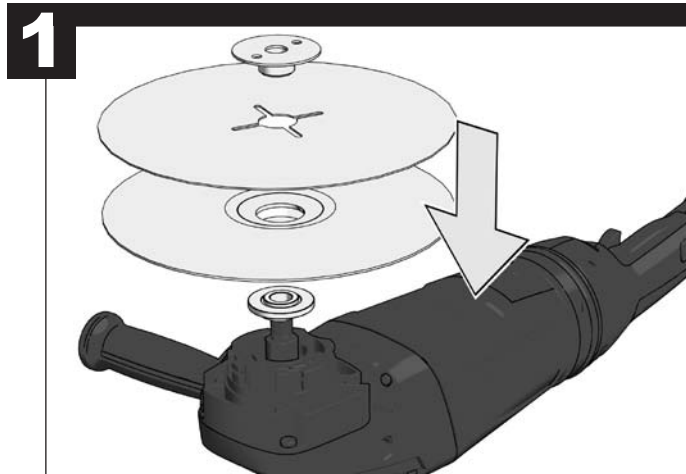


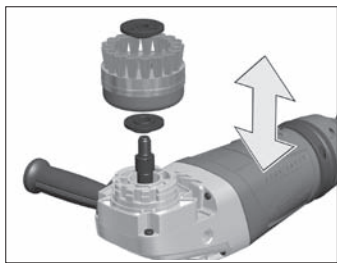


Accessory Lisälaite
Zubehör Εξαρτήματα
Accessoire Aksesuar
Accessorio Příslušenství
Accessorio
Acessório
Toebehoren
Tilbehør
Tilbehør
Tilbehør

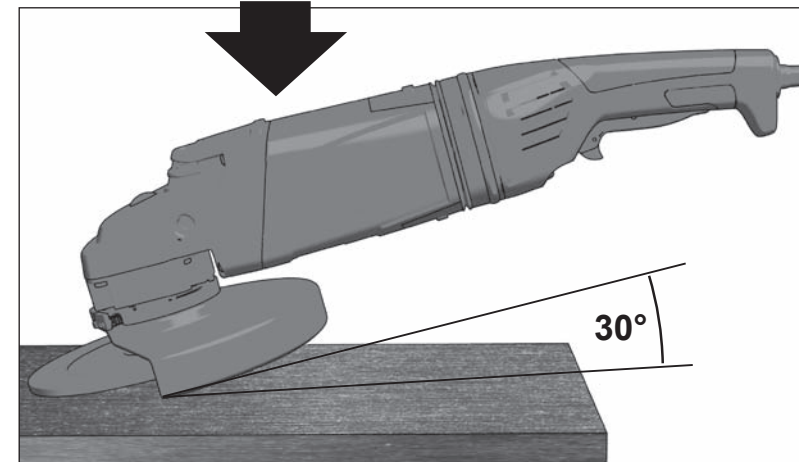
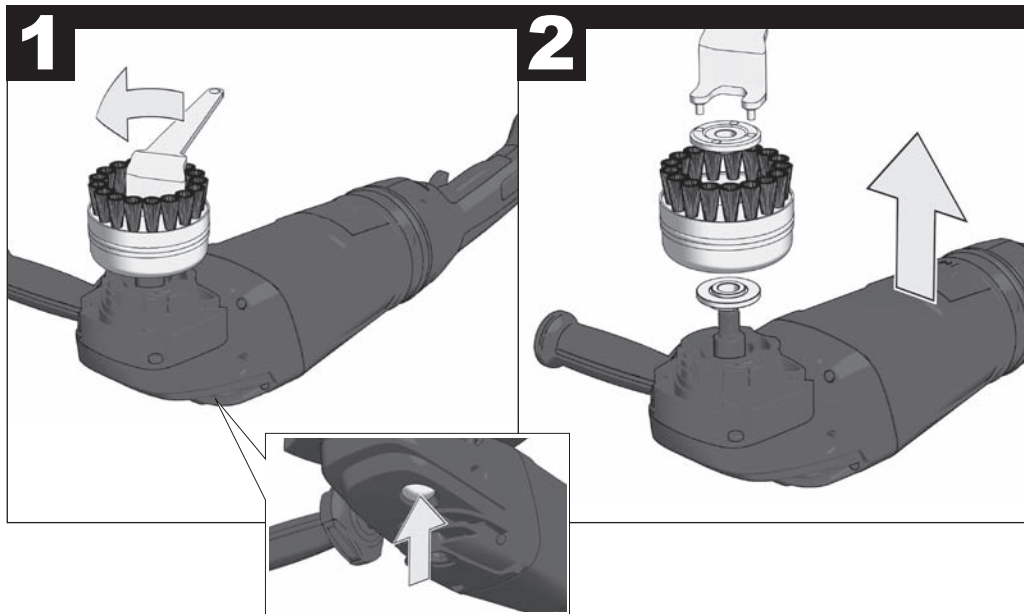
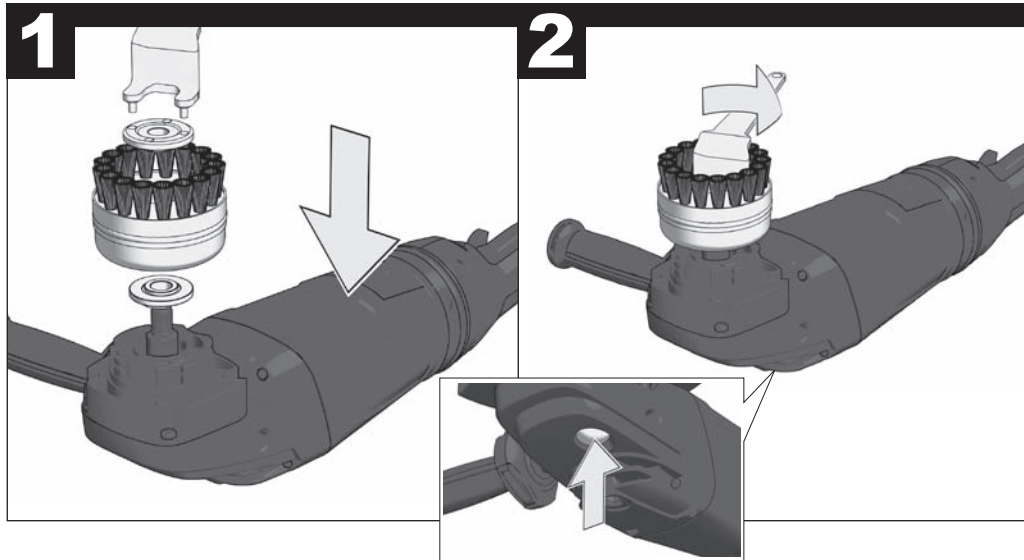
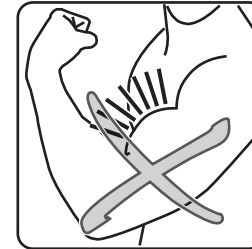
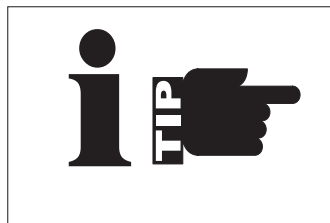


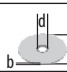

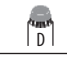
Accessory Lisälaite
Zubehör Εξαρτήματα
Accessoire Aksesuar
Accessorio Příslušenství
Accessorio
Acessório
Toebehoren
Tilbehør
Tilbehør
Tilbehør





Accessory Lisälaite
 Zubehör Εξαρτήματα
 Accessoire Aksesuar
 Accessorio Příslušenství
 Accessorio
 Toebehoren
 Tilbehør
 Tilbehør
 Tillbehör



TECHNICAL DATA	AGVM 24-230 GEX	AGVM 26-230 GEX
Angle Grinder		
Production code	4026 50 01... 4026 61 01... ...000001-999999	4026 67 01... 4026 55 01... ...000001-999999
Rated input	2400 W	2600 W
Rated speed	6600 min ⁻¹	6600 min ⁻¹
 D=Grinding disk diameter max. b=Grinding disk thickness max. d=Grinding disk hole diameter	D= max 230 mm b= max 6 mm (1/4") d= 22,2 mm	D= max 230 mm b= max 6 mm (1/4") d= 22,2 mm
 D=Grinding surface diameter max.	D= max 230 mm	D= max 230 mm
 D=Wiring brush diameter max.	D= max 100 mm	D= max 100 mm
Thread of work spindle	M14	M14
Weight according EPTA-Procedure 01/2003	5,8 kg	5,8 kg
Noise/Vibration Information Measured values determined according to EN 60 745. Typically, the A-weighted noise levels of the tool are: Sound pressure level (K=3dB(A)) Sound power level (K=3dB(A))	93 dB(A) 104 dB(A)	93 dB(A) 104 dB(A)
Wear ear protectors! Vibration total values (triaxial vector sum) determined according to EN 60745. Surface grinding: Vibration emission value a _{h,SG} Uncertainty K Sanding Vibration emission value a _{h,DS} Uncertainty K	2,5 m/s ² 1,5 m/s ² < 2,5 m/s ² 1,5 m/s ²	2,5 m/s ² 1,5 m/s ² < 2,5 m/s ² 1,5 m/s ²
For other applications, e.g. Abrasive Cutting-Off Operations or Wire Brushing other vibration values could occur.		

WARNING

The vibration emission level given in this information sheet has been measured in accordance with a standardised test given in EN 60745 and may be used to compare one tool with another. It may be used for a preliminary assessment of exposure.

The declared vibration emission level represents the main applications of the tool. However if the tool is used for different applications, with different accessories or poorly maintained, the vibration emission may differ. This may significantly increase the exposure level over the total working period.

An estimation of the level of exposure to vibration should also take into account the times when the tool is switched off or when it is running but not actually doing the job. This may significantly reduce the exposure level over the total working period.

Identify additional safety measures to protect the operator from the effects of vibration such as: maintain the tool and the accessories, keep the hands warm, organisation of work patterns

⚠ WARNING! Read all safety warnings and all instructions. Failure to follow the warnings and instructions may result in electric shock, fire and/or serious injury.
Save all warnings and instructions for future reference.

Angle Grinder SAFETY WARNINGS

Safety Warnings Common for Grinding, Sanding, Wire Brushing or Abrasive Cutting-Off Operations:

a) This power tool is intended to function as a grinder, sander, wire brush, or cut-off tool. Read all safety warnings, instructions, illustrations and specifications provided with this power tool. Failure to follow all instructions listed below may result in electric shock, fire and/or serious injury.

b) Operations as polishing are not recommended to be performed with this power tool. Operations for which the power tool was not designed may create a hazard and cause personal injury.

c) Do not use accessories which are not specifically designed and recommended by the tool manufacturer. Just because the accessory can be attached to your power tool, it does not assure safe operation.

d) The rated speed of the accessory must be at least equal to the maximum speed marked on the power tool.

Accessories running faster than their rated speed can break and fly apart.

e) The outside diameter and the thickness of your accessory must be within the capacity rating of your power tool. Incorrectly sized accessories cannot be adequately guarded or controlled.

f) The arbour size of wheels, flanges, backing pads or any other accessory must properly fit the spindle of the power tool. Accessories with arbour holes that do not match the mounting hardware of the power tool will run out of balance, vibrate excessively and may cause loss of control.

g) Do not use a damaged accessory. Before each use inspect the accessory such as abrasive wheels for chips and cracks, backing pad for cracks, tear or excess wear, wire brush for loose or cracked wires. If power tool or accessory is dropped, inspect for damage or install an undamaged accessory. After inspecting and installing an accessory, position yourself and bystanders away from the plane of the rotating accessory and run the power tool at maximum no-load speed for one minute. Damaged accessories will normally break apart during this test time.

h) Wear personal protective equipment. Depending on application, use face shield, safety goggles or safety glasses. As appropriate, wear dust mask, hearing

protectors, gloves and shop apron capable of stopping small abrasive or workpiece fragments. The eye protection must be capable of stopping flying debris generated by various operations. The dust mask or respirator must be capable of filtering particles generated by your operation. Prolonged exposure to high intensity noise may cause hearing loss.

i) Keep bystanders a safe distance away from work area. Anyone entering the work area must wear personal protective equipment. Fragments of workpiece or of a broken accessory may fly away and cause injury beyond immediate area of operation.

j) Hold power tool by insulated gripping surfaces only, when performing an operation where the cutting accessory may contact hidden wiring or its own cord. Cutting accessory contacting a „live“ wire may make exposed metal parts of the power tool „live“ and could give the operator an electric shock.

k) Position the cord clear of the spinning accessory. If you lose control, the cord may be cut or snagged and your hand or arm may be pulled into the spinning accessory.

l) Never lay the power tool down until the accessory has come to a complete stop. The spinning accessory may grab the surface and pull the power tool out of your control.

m) Do not run the power tool while carrying it at your side. Accidental contact with the spinning accessory could snag your clothing, pulling the accessory into your body.

n) Regularly clean the power tool's air vents. The motor's fan will draw the dust inside the housing and excessive accumulation of powdered metal may cause electrical hazards.

o) Do not operate the power tool near flammable materials. Sparks could ignite these materials.

p) Do not use accessories that require liquid coolants. Using water or other liquid coolants may result in electrocution or shock.

Kickback and Related Warnings

Kickback is a sudden reaction to a pinched or snagged rotating wheel, backing pad, brush or any other accessory. Pinching or snagging causes rapid stalling of the rotating accessory which in turn causes the uncontrolled power tool to be forced in the direction opposite of the accessory's rotation at the point of the binding.

For example, if an abrasive wheel is snagged or pinched by the workpiece, the edge of the wheel that is entering into the pinch point can dig into the surface of the material causing the wheel to climb out or kick out. The wheel may either jump toward or away from the operator, depending on direction of the wheel's movement at the point of pinching. Abrasive wheels may also break under these conditions.

Kickback is the result of power tool misuse and/or incorrect operating procedures or conditions and can be avoided by taking proper precautions as given below.

a) Maintain a firm grip on the power tool and position your body and arm to allow you to resist kickback forces. Always use auxiliary handle, if provided, for maximum control over kickback or torque reaction during start-up. The operator can control torque reactions or kickback forces, if proper precautions are taken.

b) Never place your hand near the rotating accessory. Accessory may kickback over your hand.

c) Do not position your body in the area where power tool will move if kickback occurs. Kickback will propel the tool in direction opposite to the wheel's movement at the point of snagging.

d) Use special care when working corners, sharp edges etc. Avoid bouncing and snagging the accessory. Corners, sharp edges or bouncing have a tendency to snag the rotating accessory and cause loss of control or kickback.

e) Do not attach a saw chain, woodcarving blade or toothed saw blade. Such blades create frequent kickback and loss of control.

Safety Warnings Specific for Grinding and Abrasive Cutting-Off Operations:

a) Use only wheel types that are recommended for your power tool and the specific guard designed for the selected wheel. Wheels for which the power tool was not designed cannot be adequately guarded and are unsafe.

b) The guard must be securely attached to the power tool and positioned for maximum safety, so the least amount of wheel is exposed towards the operator. The guard helps to protect operator from broken wheel fragments and accidental contact with wheel and sparks that could ignite clothing.

c) Wheels must be used only for recommended applications. For example: do not grind with the side of cut-off wheel. Abrasive cut-off wheels are intended for peripheral grinding, side forces applied to these wheels may cause them to shatter.

d) Always use undamaged wheel flanges that are of correct size and shape for your selected wheel. Proper wheel flanges support the wheel thus reducing the possibility of wheel breakage. Flanges for cut-off wheels may be different from grinding wheel flanges.

e) Do not use worn down wheels from larger power tools. Wheel intended for larger power tool is not suitable for the higher speed of a smaller tool and may burst.

Additional Safety Warnings Specific for Abrasive Cutting-Off Operations:

a) Do not "jam" the cut-off wheel or apply excessive pressure. Do not attempt to make an excessive depth of cut. Overstressing the wheel increases the loading and susceptibility to twisting or binding of the wheel in the cut and the possibility of kickback or wheel breakage.

b) Do not position your body in line with and behind the rotating wheel. When the wheel, at the point of operation, is moving away from your body, the possible kickback may propel the spinning wheel and the power tool directly at you.

c) When wheel is binding or when interrupting a cut for any reason, switch off the power tool and hold the power tool motionless until the wheel comes to a complete stop. Never attempt to remove the cut-off wheel from the cut while the wheel is in motion otherwise kickback may occur. Investigate and take corrective action to eliminate the cause of wheel binding.

d) Do not restart the cutting operation in the workpiece. Let the wheel reach full speed and carefully re-enter the cut. The wheel may bind, walk up or kickback if the power tool is restarted in the workpiece.

e) Support panels or any oversized workpiece to minimize the risk of wheel pinching and kickback. Large workpieces tend to sag under their own weight. Supports must be placed under the workpiece near the line of cut and near the edge of the workpiece on both sides of the wheel.

f) Use extra caution when making a "pocket cut" into existing walls or other blind areas. The protruding wheel may cut gas or water pipes, electrical wiring or objects that can cause kickback.

Safety Warnings Specific for Sanding Operations:

a) Do not use excessively oversized sanding disc paper. Follow manufacturers recommendations, when selecting sanding paper. Larger sanding paper extending beyond the sanding pad presents a laceration hazard and may cause snagging, tearing of the disc or kickback.

Safety Warnings Specific for Wire Brushing Operations:

a) Be aware that wire bristles are thrown by the brush even during ordinary operation. Do not overstress the wires by applying excessive load to the brush. The wire bristles can easily penetrate light clothing and/or skin.

b) If the use of a guard is recommended for wire brushing, do not allow any interference of the wire wheel or brush with the guard. Wire wheel or brush may expand in diameter due to work load and centrifugal forces.

The grinding surface of the centre depressed wheels must be mounted min. 2 mm below the plane of the guard lip. An improperly mounted wheel that projects through the plane of the guard lip cannot be adequately protected.

Appliances used at many different locations including open air should be connected via a residual current device of 30 mA or less.

Dust and splinters must not be removed while the machine is running.

Only plug-in when machine is switched off.

Never reach into the danger area of the tool when it is running.

Always use the auxiliary handle.

Immediately switch off the machine in case of considerable vibrations or if other malfunctions occur. Check the machine in order to find out the cause.

Always use and store the grinding disks according to the manufacturer's instructions.

When grinding metal, flying sparks are produced. Take care that no persons are endangered. Because of the danger of fire, no combustible materials should be located in the vicinity (spark flight zone). Do not use dust extraction.

Due care should be taken that no sparks or sanding dust flying from the workpiece come into contact with you.

When separating stone the guide shoe must be used!

The adjusting nut must be tightened before starting to work with the machine.

The workpiece must be fixed if it is not heavy enough to be steady. Never lead the workpiece to the grinding disk with your hand.

Under extreme conditions (e.g. smooth-grinding metals with the arbour and vulcanized fibre grinding wheel), significant contamination can build up on the inside of the angle grinder. For safety reasons, in such conditions the inside should be cleaned thoroughly of metal deposits and a motor circuit-breaker must be connected in series. If the motor circuit-breaker trips the machine must be sent for repair.

For accessories intended to be fitted with threaded hole wheel, ensure that the thread in the wheel is long enough to accept the spindle length.

For cutting or separating use a closed protection cap, available as an accessory.

SPECIFIED CONDITIONS OF USE

The angle grinder can be used to cut and rough-grind many different materials, e.g. metal or stone, for grinding with a plastic grinding plate and for operation with the wire brush. Always follow the accessory manufacturer's instructions if you are unsure about anything to do with the machine.

Do not use this product in any other way as stated for normal use.

EC-DECLARATION OF CONFORMITY

We declare under our sole responsibility that the product described under "Technical Data" fulfills all the relevant regulations and the directives 2011/65/EU (RoHS), 2004/108/EC, 2006/42/EC and the following harmonized standards have been used:

EN 60745-1:2009+A11:2010
EN 60745-2-3:2011
EN 55014-1:2006+A1:2009+A2:2011
EN 55014-2:1997+A1:2001+A2:2008
EN 61000-3-2:2006+A1:2009+A2:2009
EN 61000-3-3:2008

Winnenden, 2013-08-26



Alexander Krug
Managing Director



Authorized to compile the technical file.

Techtronic Industries GmbH
Max-Eyth-Straße 10
71364 Winnenden

MAINS CONNECTION

Connect only to single-phase a.c. current and only to the system voltage indicated on the rating plate. It is also possible to connect to sockets without an earthing contact as the design conforms to safety class II.

SAFETY COUPLING

If the application tool is caught or locks suddenly, the safety clutch disconnects the working spindle from the motor. The application tool then stops, protecting the user from recoil. After the problem has been eliminated the application tool runs slowly back up to the operating speed and can then continue to be used. Even so, always follow the safety information provided!

RESTART CUTOUT

Machines with a lockable switch are supplied with a restart cutout. This prevents the machine restarting by itself after a power failure. When resuming work, switch the machine off and then switch it back on again.

STARTING CURRENT LIMITED

The starting current for the machine is several times greater than the rated current. The starting current limited produces the starting current to such an extent that a fuse (16 A, slow-blow) is not tripped.

MAINTENANCE

If the supply cord of this power tool is damaged, it must be replaced by a specially prepared cord available through the service organization

The ventilation slots of the machine must be kept clear at all times.

Use only Milwaukee accessories and spare parts. Should components need to be exchanged which have not been described, please contact one of our Milwaukee service agents (see our list of guarantee/service addresses).

If needed, an exploded view of the tool can be ordered. Please state the machine type printed as well as the six-digit No. on the label and order the drawing at your local service agents or directly at: Techtronic Industries GmbH, Max-Eyth-Straße 10, 71364 Winnenden, Germany.

SYMBOLS



Please read the instructions carefully before starting the machine.



Always wear goggles when using the machine.



Always disconnect the plug from the socket before carrying out any work on the machine.



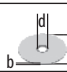

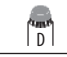
Accessory - Not included in standard equipment, available as an accessory.



Do not dispose of electric tools together with household waste material! In observance of European Directive 2002/96/EC on waste electrical and electronic equipment and its implementation in accordance with national law, electric tools that have reached the end of their life must be collected separately and returned to an environmentally compatible recycling facility.



Class II tool, tool in which protection against electric shock does not rely on basic insulation only, but in which additional safety precautions, such as double insulation or reinforced insulation, are provided. There being no provision for protective earthing or reliance upon installation conditions.

TECHNISCHE DATEN	AGVM 24-230 GEX	AGVM 26-230 GEX
Winkelschleifer		
Produktionsnummer	4026 50 01... 4026 61 01... ...000001-999999	4026 67 01... 4026 55 01... ...000001-999999
Nennaufnahmeleistung	2400 W	2600 W
Nenn Drehzahl	6600 min ⁻¹	6600 min ⁻¹
 D=Schleifscheiben-ø max. b=Schleifscheibendicke max. d=Bohrungs-ø	D= max 230 mm b= max 6 mm (1/4") d= 22,2 mm	D= max 230 mm b= max 6 mm (1/4") d= 22,2 mm
 D=Schleifflächen-ø max.	D= max 230 mm	D= max 230 mm
 D=Topfbürsten-ø max.	D= max 100 mm	D= max 100 mm
Spindelgewinde	M14	M14
Gewicht nach EPTA-Prozedur 01/2003	5,8 kg	5,8 kg
Geräusch/Vibrationsinformation Messwerte ermittelt entsprechend EN 60 745. Der A-bewertete Geräuschpegel des Gerätes beträgt typischerweise: Schalldruckpegel (K=3dB(A)) Schalleistungspegel (K=3dB(A))	93 dB(A) 104 dB(A)	93 dB(A) 104 dB(A)
Gehörschutz tragen! Schwingungsgesamtwerte (Vektorsumme dreier Richtungen) ermittelt entsprechend EN 60745. Schruppschleifen: Schwingungsemissionswert ah Unsicherheit K Sandpapierschleifen Schwingungsemissionswert ah Unsicherheit K Bei anderen Anwendungen, wie z.B. Trennschleifen oder Schleifen mit der Stahldrahtbürste können sich andere Vibrationswerte ergeben!	2,5 m/s ² 1,5 m/s ² < 2,5 m/s ² 1,5 m/s ²	2,5 m/s ² 1,5 m/s ² < 2,5 m/s ² 1,5 m/s ²

WARNUNG

Der in diesen Anweisungen angegebene Schwingungspegel ist entsprechend einem in EN 60745 genormten Messverfahren gemessen worden und kann für den Vergleich von Elektrowerkzeugen miteinander verwendet werden. Er eignet sich auch für eine vorläufige Einschätzung der Schwingungsbelastung.

Der angegebene Schwingungspegel repräsentiert die hauptsächlichsten Anwendungen des Elektrowerkzeugs. Wenn allerdings das Elektrowerkzeug für andere Anwendungen, mit abweichenden Einsatzwerkzeugen oder ungenügender Wartung eingesetzt wird, kann der Schwingungspegel abweichen. Dies kann die Schwingungsbelastung über den gesamten Arbeitszeitraum deutlich erhöhen.

Für eine genaue Abschätzung der Schwingungsbelastung sollten auch die Zeiten berücksichtigt werden, in denen das Gerät abgeschaltet ist oder zwar läuft, aber nicht tatsächlich im Einsatz ist. Dies kann die Schwingungsbelastung über den gesamten Arbeitszeitraum deutlich reduzieren.

Legen Sie zusätzliche Sicherheitsmaßnahmen zum Schutz des Bedieners vor der Wirkung von Schwingungen fest wie zum Beispiel: Wartung von Elektrowerkzeug und Einsatzwerkzeugen, Warmhalten der Hände, Organisation der Arbeitsabläufe.

⚠️ WARNUNG! Lesen Sie alle Sicherheitshinweise und Anweisungen. Versäumnisse bei der Einhaltung der Sicherheitshinweise und Anweisungen können elektrischen Schlag, Brand und/oder schwere Verletzungen verursachen. **Bewahren Sie alle Sicherheitshinweise und Anweisungen für die Zukunft auf.**

SICHERHEITSHINWEISE FÜR WINKELSCHLEIFER

Gemeinsame Sicherheitshinweise zum Schleifen, Sandpapierschleifen, Arbeiten mit Drahtbürsten und Trennschleifen

a) Dieses Elektrowerkzeug ist zu verwenden als Schleifer, Sandpapierschleifer, Drahtbürste und Trennschleifmaschine. Beachten Sie alle Sicherheitshinweise, Anweisungen, Darstellungen und Daten, die Sie mit dem Elektrowerkzeug erhalten. Wenn Sie die folgenden Anweisungen nicht beachten, kann es zu elektrischem Schlag, Feuer und/oder schweren Verletzungen kommen.

b) Dieses Elektrowerkzeug ist nicht geeignet zum Polieren. Verwendungen, für die das Elektrowerkzeug nicht

vorgesehen ist, können Gefährdungen und Verletzungen verursachen.

c) Verwenden Sie kein Zubehör, das vom Hersteller nicht speziell für dieses Elektrowerkzeug vorgesehen und empfohlen wurde. Nur weil Sie das Zubehör an Ihrem Elektrowerkzeug befestigen können, garantiert das keine sichere Verwendung.

d) Die zulässige Drehzahl des Einsatzwerkzeugs muss mindestens so hoch sein wie die auf dem Elektrowerkzeug angegebene Höchstdrehzahl. Zubehör, das sich schneller als zulässig dreht, kann zerbrechen und umherfliegen.

e) Außendurchmesser und Dicke des Einsatzwerkzeugs müssen den Maßangaben Ihres Elektrowerkzeugs entsprechen. Falsch bemessene Einsatzwerkzeuge können nicht ausreichend abgeschirmt oder kontrolliert werden.

f) Schleifscheiben, Flansche, Schleifteller oder anderes Zubehör müssen genau auf die Schleifspindel Ihres Elektrowerkzeugs passen. Einsatzwerkzeuge, die nicht genau auf die Schleifspindel des Elektrowerkzeugs passen,

drehen sich ungleichmäßig, vibrieren sehr stark und können zum Verlust der Kontrolle führen.

g) Verwenden Sie keine beschädigten Einsatzwerkzeuge. Kontrollieren Sie vor jeder Verwendung Einsatzwerkzeuge wie Schleifscheiben auf Abspaltungen und Risse, Schleifteller auf Risse, Verschleiß oder starke Abnutzung, Drahtbürsten auf lose oder gebrochene Drähte. Wenn das Elektrowerkzeug oder das Einsatzwerkzeug herunterfällt, überprüfen Sie, ob es beschädigt ist, oder verwenden Sie ein unbeschädigtes Einsatzwerkzeug. Wenn Sie das Einsatzwerkzeug kontrolliert und eingesetzt haben, halten Sie und in der Nähe befindliche Personen sich außerhalb der Ebene des rotierenden Einsatzwerkzeugs auf und lassen Sie das Elektrowerkzeug eine Minute lang mit Höchstdrehzahl laufen. Beschädigte Einsatzwerkzeuge brechen meist in dieser Testzeit.

h) Tragen Sie persönliche Schutzausrüstung. Verwenden Sie je nach Anwendung Vollgesichtsschutz, Augenschutz oder Schutzbrille. Soweit angemessen, tragen Sie Staubmaske, Gehörschutz, Schutzhandschuhe oder Spezialschürze, die kleine Schleif- und Materialpartikel von Ihnen fernhält. Die Augen sollen vor herumfliegenden Fremdkörpern geschützt werden, die bei verschiedenen Anwendungen entstehen. Staub- oder Atemschutzmaske müssen den bei der Anwendung entstehenden Staub filtern. Wenn Sie lange lautem Lärm ausgesetzt sind, können Sie einen Hörverlust erleiden.

i) Achten Sie bei anderen Personen auf sicheren Abstand zu Ihrem Arbeitsbereich. Jeder, der den Arbeitsbereich betritt, muss persönliche Schutzausrüstung tragen. Bruchstücke des Werkstücks oder gebrochener Einsatzwerkzeuge können wegfiegen und Verletzungen auch außerhalb des direkten Arbeitsbereichs verursachen.

j) Fassen Sie das Elektrowerkzeug nur an den isolierten Griffflächen an, wenn Sie Arbeiten ausführen, bei denen das Einsatzwerkzeug verborgene Stromleitungen oder das eigene Netzkabel treffen kann. Kontakt mit einer spannungsführenden Leitung setzt auch Metallteile des Elektrowerkzeugs unter Spannung und führt zu einem elektrischen Schlag.

k) Halten Sie das Netzkabel von sich drehenden Einsatzwerkzeugen fern. Wenn Sie die Kontrolle über das Elektrowerkzeug verlieren, kann das Netzkabel durchtrennt oder erfasst werden und Ihre Hand oder Ihr Arm in das sich drehende Einsatzwerkzeug geraten.

l) Legen Sie das Elektrowerkzeug niemals ab, bevor das Einsatzwerkzeug völlig zum Stillstand gekommen ist. Das sich drehende Einsatzwerkzeug kann in Kontakt mit der Ablagefläche geraten, wodurch Sie die Kontrolle über das Elektrowerkzeug verlieren können.

m) Lassen Sie das Elektrowerkzeug nicht laufen, während Sie es tragen. Ihre Kleidung kann durch zufälligen Kontakt mit dem sich drehenden Einsatzwerkzeug erfasst werden, und das Einsatzwerkzeug sich in Ihren Körper bohren.

n) Reinigen Sie regelmäßig die Lüftungsschlitze Ihres Elektrowerkzeugs. Das Motorgebläse zieht Staub in das Gehäuse, und eine starke Ansammlung von Metallstaub kann elektrische Gefahren verursachen.

o) Verwenden Sie das Elektrowerkzeug nicht in der Nähe brennbarer Materialien. Funken können diese Materialien entzünden.

p) Verwenden Sie keine Einsatzwerkzeuge, die flüssige Kühlmittel erfordern. Die Verwendung von Wasser oder anderen flüssigen Kühlmitteln kann zu einem elektrischen Schlag führen.

Rückschlag und entsprechende Sicherheitshinweise

Rückschlag ist die plötzliche Reaktion infolge eines hakenden oder blockierten drehenden Einsatzwerkzeugs, wie Schleifscheibe, Schleifteller, Drahtbürste usw. Verhaken

oder Blockieren führt zu einem abrupten Stopp des rotierenden Einsatzwerkzeugs. Dadurch wird ein unkontrolliertes Elektrowerkzeug gegen die Drehrichtung des Einsatzwerkzeugs an der Blockierstelle beschleunigt. Wenn z. B. eine Schleifscheibe im Werkstück hakt oder blockiert, kann sich die Kante der Schleifscheibe, die in das Werkstück eintaucht, verfangen und dadurch die Schleifscheibe ausbrechen oder einen Rückschlag verursachen. Die Schleifscheibe bewegt sich dann auf die Bedienperson zu oder von ihr weg, je nach Drehrichtung der Scheibe an der Blockierstelle. Hierbei können Schleifscheiben auch brechen. Ein Rückschlag ist die Folge eines falschen oder fehlerhaften Gebrauchs des Elektrowerkzeugs. Er kann durch geeignete Vorsichtsmaßnahmen, wie nachfolgend beschrieben, verhindert werden.

a) Halten Sie das Elektrowerkzeug gut fest und bringen Sie Ihren Körper und Ihre Arme in eine Position, in der Sie die Rückschlagkräfte abfangen können. Verwenden Sie immer den Zusatzgriff, falls vorhanden, um die größtmögliche Kontrolle über Rückschlagkräfte oder Reaktionsmomente beim Hochlauf zu haben. Die Bedienperson kann durch geeignete Vorsichtsmaßnahmen die Rückschlag- und Reaktionskräfte beherrschen.

b) Bringen Sie Ihre Hand nie in die Nähe sich drehender Einsatzwerkzeuge. Das Einsatzwerkzeug kann sich beim Rückschlag über Ihre Hand bewegen.

c) Meiden Sie mit Ihrem Körper den Bereich, in den das Elektrowerkzeug bei einem Rückschlag bewegt wird. Der Rückschlag treibt das Elektrowerkzeug in die Richtung entgegengesetzt zur Bewegung der Schleifscheibe an der Blockierstelle.

d) Arbeiten Sie besonders vorsichtig im Bereich von Ecken, scharfen Kanten usw. Verhindern Sie, dass Einsatzwerkzeuge vom Werkstück zurückprallen und verklemmen. Das rotierende Einsatzwerkzeug neigt bei Ecken, scharfen Kanten oder wenn es abrällt, dazu, sich zu verklemmen. Dies verursacht einen Kontrollverlust oder Rückschlag.

e) Verwenden Sie kein Ketten- oder gezähntes Sägeblatt. Solche Einsatzwerkzeuge verursachen häufig einen Rückschlag oder den Verlust der Kontrolle über das Elektrowerkzeug.

Besondere Sicherheitshinweise zum Schleifen und Trennschleifen

a) Verwenden Sie ausschließlich die für Ihr Elektrowerkzeug zugelassenen Schleifkörper und die für diese Schleifkörper vorgesehene Schutzhaube. Schleifkörper, die nicht für das Elektrowerkzeug vorgesehen sind, können nicht ausreichend abgeschirmt werden und sind unsicher.

b) Verwenden Sie immer die Schutzhaube, die für die verwendete Art von Schleifkörper vorgesehen ist. Die Schutzhaube muss sicher am Elektrowerkzeug angebracht und so eingestellt sein, dass ein Höchstmaß an Sicherheit erreicht wird, d. h. der kleinstmögliche Teil des Schleifkörpers zeigt offen zur Bedienperson. Die Schutzhaube soll die Bedienperson vor Bruchstücken und zufälligem Kontakt mit dem Schleifkörper schützen.

c) Schleifkörper dürfen nur für die empfohlenen Einsatzmöglichkeiten verwendet werden. Z. B.: Schleifen Sie nie mit der Seitenfläche einer Trennscheibe. Trennscheiben sind zum Materialabtrag mit der Kante der Scheibe bestimmt. Seitliche Kraffeinwirkung auf diese Schleifkörper kann sie zerbrechen.

d) Verwenden Sie immer unbeschädigte Spannflansche in der richtigen Größe und Form für die von Ihnen gewählte Schleifscheibe. Geeignete Flansche stützen die Schleifscheibe und verringern so die Gefahr eines Schleifscheibenbruchs. Flansche für Trennscheiben können sich von den Flanschen für andere Schleifscheiben unterscheiden.

e) **Verwenden Sie keine abgenutzten Schleifscheiben von größeren Elektrowerkzeugen.** Schleifscheiben für größere Elektrowerkzeuge sind nicht für die höheren Drehzahlen von kleineren Elektrowerkzeugen ausgelegt und können brechen.

Weitere besondere Sicherheitshinweise zum Trennschleifen

a) **Vermeiden Sie ein Blockieren der Trennscheibe oder zu hohen Anpressdruck. Führen Sie keine übermäßig tiefen Schnitte aus.** Eine Überlastung der Trennscheibe erhöht deren Beanspruchung und die Anfälligkeit zum Verkannten oder Blockieren und damit die Möglichkeit eines Rückschlags oder Schleifkörperbruchs.

b) **Meiden Sie den Bereich vor und hinter der rotierenden Trennscheibe.** Wenn Sie die Trennscheibe im Werkstück von sich wegbewegen, kann im Falle eines Rückschlags das Elektrowerkzeug mit der sich drehenden Scheibe direkt auf Sie zugeschleudert werden.

c) **Falls die Trennscheibe verklemmt oder Sie die Arbeit unterbrechen, schalten Sie das Elektrowerkzeug aus und halten Sie es ruhig, bis die Scheibe zum Stillstand gekommen ist. Versuchen Sie nie, die noch laufende Trennscheibe aus dem Schnitt zu ziehen, sonst kann ein Rückschlag erfolgen.** Ermitteln und beheben Sie die Ursache für das Verklemmen.

d) **Schalten Sie das Elektrowerkzeug nicht wieder ein, solange es sich im Werkstück befindet. Lassen Sie die Trennscheibe erst ihre volle Drehzahl erreichen, bevor Sie den Schnitt vorsichtig fortsetzen.** Anderenfalls kann die Scheibe verhaken, aus dem Werkstück springen oder einen Rückschlag verursachen.

e) **Stützen Sie Platten oder große Werkstücke ab, um das Risiko eines Rückschlags durch eine eingeklemmte Trennscheibe zu vermindern.** Große Werkstücke können sich unter ihrem eigenen Gewicht durchbiegen. Das Werkstück muss auf beiden Seiten abgestützt werden, und zwar sowohl in der Nähe des Trennschnitts als auch an der Kante.

f) **Seien Sie besonders vorsichtig bei „Taschenschnitten“ in bestehende Wände oder andere nicht einsehbare Bereiche.** Die eintauchende Trennscheibe kann beim Schneiden in Gas- oder Wasserleitungen, elektrische Leitungen oder andere Objekte einen Rückschlag verursachen.

Besondere Sicherheitshinweise zum Sandpapierschleifen

a) **Benutzen Sie keine überdimensionierten Schleifblätter, sondern befolgen Sie die Herstellerangaben zur Schleifblattgröße.** Schleifblätter, die über den Schleifteller hinausragen, können Verletzungen verursachen sowie zum Blockieren, Zerreißen der Schleifblätter oder zum Rückschlag führen.

Besondere Sicherheitshinweise zum Arbeiten mit Drahtbürsten

a) **Beachten Sie, dass die Drahtbürste auch während des üblichen Gebrauchs Drahtstücke verliert. Überlasten Sie die Drähte nicht durch zu hohen Anpressdruck.** Wegfliegende Drahtstücke können sehr leicht durch dünne Kleidung und/oder die Haut dringen.

b) **Wird eine Schutzhaube empfohlen, verhindern Sie, dass sich Schutzhaube und Drahtbürste berühren können.** Teller- und Topfbürsten können durch Anpressdruck und Zentrifugalkräfte ihren Durchmesser vergrößern.

Gekrüpfte Schleifscheiben müssen so montiert werden, dass ihre Schleiffläche mind. 2 mm unter der Ebene des Schutzhaubenrandes endet.

Steckdosen in Außenbereichen müssen mit Fehlerstrom-Schutzschaltern (FI, RCD, PRCD) ausgerüstet sein. Das verlangt die Installationsvorschrift für Ihre Elektroanlage. Bitte beachten Sie das bei der Verwendung unseres Gerätes.

Späne oder Splitter dürfen bei laufender Maschine nicht entfernt werden.

Maschine nur ausgeschaltet an die Steckdose anschließen.

Nicht in den Gefahrenbereich der laufenden Maschine greifen.

Stets den Zusatzhandgriff verwenden.

Gerät sofort ausschalten, wenn beträchtliche Schwingungen auftreten oder andere Mängel festgestellt werden. Überprüfen Sie die Maschine, um die Ursache festzustellen. Schleifscheiben stets gemäß den Angaben des Herstellers verwenden und aufbewahren.

Beim Schleifen von Metallen entsteht Funkenflug. Darauf achten, dass keine Personen gefährdet werden. Wegen der Brandgefahr dürfen sich keine brennbaren Materialien in der Nähe (Funkenflugbereich) befinden. Keine Staubabsaugung verwenden.

Gerät immer so halten, dass Funken oder Schleifstaub vom Körper wegfiegen.

Zum Trennen von Stein ist der Führungsschlitten Vorschrift.

Die Flanschnutter muss vor Inbetriebnahme der Maschine angezogen sein.

Das zu bearbeitende Werkstück muss festgespannt werden, sofern es nicht durch sein Eigengewicht hält. Niemals Werkstück mit der Hand gegen die Scheibe führen.

Bei extremen Einsatzbedingungen (z. B. beim Glattschleifen von Metallen mit dem Stützteller und Vulkanfieber-Schleifscheiben) kann sich eine starke Verschmutzung im Inneren des Winkelschleifers aufbauen. Bei solchen Einsatzbedingungen ist aus Sicherheitsgründen eine gründliche Reinigung im Inneren von Metallablagerungen und zwingend das Vorschalten eines Fehlerstrom- (FI) Schutzschalters erforderlich. Nach Ansprechen des FI-Schutzschalters muss die Maschine zur Reparatur eingesandt werden.

Vergewissern Sie sich bei Schleifwerkzeugen mit Gewindeeinsatz, dass das Gewinde lang genug ist, um die Spindellänge aufzunehmen.

Für Trennarbeiten geschlossenen Schutzhaube aus dem Zubehörprogramm verwenden.

BESTIMMUNGSGEMÄßE VERWENDUNG

Der Winkelschleifer ist einsetzbar zum Trennen und Schruppschleifen von vielen Materialien, wie z. B. Metall oder Stein, sowie zum Schleifen mit Kunststoffschleifteller und zum Arbeiten mit der Stahldrahtbürste. Beachten Sie im Zweifelsfall die Hinweise der Zubehörhersteller.

Dieses Gerät darf nur wie angegeben bestimmungsgemäß verwendet werden.

CE-KONFORMITÄTSERKLÄRUNG

Wir erklären in alleiniger Verantwortung, dass das unter „Technische Daten“ beschriebene Produkt mit alle relevanten Vorschriften der Richtlinie 2011/65/EU (RoHS), 2004/108/EG, 2006/42/EG und den folgenden harmonisierten normativen Dokumenten übereinstimmt:

EN 60745-1:2009+A11:2010
EN 60745-2-3:2011
EN 55014-1:2006+A1:2009+A2:2011
EN 55014-2:1997+A1:2001+A2:2008
EN 61000-3-2:2006+A1:2009+A2:2009
EN 61000-3-3:2008

Winnenden, 2013-08-26



Alexander Krug
Managing Director



Bevollmächtigt die technischen Unterlagen zusammenzustellen

Techtronic Industries GmbH
Max-Eyth-Straße 10
71364 Winnenden

NETZANSCHLUSS

Nur an Einphasen-Wechselstrom und nur an die auf dem Leistungsschild angegebene Netzspannung anschließen. Anschluss ist auch an Steckdosen ohne Schutzkontakt möglich, da ein Aufbau der Schutzklasse II vorliegt.

SICHERHEITSKUPPLUNG

Beim Verhaken oder plötzlichem Blockieren des Einsatzwerkzeugs trennt die Sicherheitskupplung die Arbeitsspindel vom Motor. Das Einsatzwerkzeug bleibt stehen und schützt so den Bediener vor Rückschlag. Nach Entlastung läuft das Einsatzwerkzeug wieder langsam auf Arbeitsdrehzahl und es kann weitergearbeitet werden. Unabhängig davon müssen die beschriebenen Sicherheitshinweise eingehalten werden.

WIEDERANLAUFSCHEITZ

Maschinen mit arretierbarem Schalter sind mit einem Wiederanlaufschutz ausgerüstet. Dieser verhindert ein Wiederanlaufen der Maschine nach einem Stromausfall. Bei erneuter Arbeitsaufnahme Maschine ausschalten und wieder einschalten.

ANLAUFSTROMBEGRENZUNG

Der Einschaltstrom der Maschine beträgt ein Mehrfaches des Nennstromes. Durch die Anlaufstrombegrenzung wird der Einschaltstrom so weit reduziert, dass eine Sicherung (16 A träge) nicht anspricht.

WARTUNG

Ist die Anschlussleitung des Elektrowerkzeugs beschädigt, muss sie durch eine speziell vorgesehene Anschlussleitung ersetzt werden, die über die Kundendienstorganisation erhältlich ist.

Stets die Lüftungsschlitze der Maschine sauber halten.

Nur Milwaukee Zubehör und Ersatzteile verwenden. Bauteile, deren Austausch nicht beschrieben wurde, bei einer Milwaukee Kundendienststelle auswechseln lassen (Broschüre Garantie/Kundendienstadressen beachten).

Bei Bedarf kann eine Explosionszeichnung des Gerätes unter Angabe der Maschinen Type und der sechsstelligen Nummer auf dem Leistungsschild bei Ihrer Kundendienststelle oder direkt bei Techtronic Industries GmbH, Max-Eyth-Straße 10, 71364 Winnenden, Germany angefordert werden.

SYMBOLE



Bitte lesen Sie die Gebrauchsanweisung vor Inbetriebnahme sorgfältig durch.



Beim Arbeiten mit der Maschine stets Schutzbrille tragen.



Vor allen Arbeiten an der Maschine Stecker aus der Steckdose ziehen.



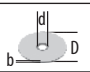

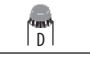
Zubehör - Im Lieferumfang nicht enthalten, empfohlene Ergänzung aus dem Zubehörprogramm.



Werfen Sie Elektrowerkzeuge nicht in den Hausmüll! Gemäss Europäischer Richtlinie 2002/96/EG über Elektro- und Elektronik-Altgeräte und Umsetzung in nationales Recht müssen verbrauchte Elektrowerkzeuge getrennt gesammelt und einer umweltgerechten Wiederverwertung zugeführt werden.



Elektrowerkzeug der Schutzklasse II. Elektrowerkzeug, bei dem der Schutz vor einem elektrischen Schlag nicht nur von der Basisisolierung abhängt, sondern auch davon, dass zusätzliche Schutzmaßnahmen, wie doppelte Isolierung oder verstärkte Isolierung, angewendet werden. Es gibt keine Vorrichtung zum Anschluss eines Schutzleiters.

CARACTÉRISTIQUES TECHNIQUES	AGVM 24-230 GEX	AGVM 26-230 GEX
Meuleuse d'Angle		
Numéro de série	4026 50 01... 4026 61 01... ...000001-999999	4026 67 01... 4026 55 01... ...000001-999999
Puissance nominale de réception	2400 W	2600 W
Vitesse de rotation nominale	6600 min ⁻¹	6600 min ⁻¹
 D=Diamètre de meule max. b=Épaisseur disque polisseur max. d=Ø de perçage	D= max 230 mm b= max 6 mm (1/4") d= 22,2 mm	D= max 230 mm b= max 6 mm (1/4") d= 22,2 mm
 D=Diamètre surface de meulage max.	D= max 230 mm	D= max 230 mm
 D=Diamètre brosse métallique max.	D= max 100 mm	D= max 100 mm
Filetage de l'arbre	M14	M14
Poids suivant EPTA-Procédure 01/2003	5,8 kg	5,8 kg
Informations sur le bruit et les vibrations Valeurs de mesure obtenues conformément à la EN 60 745. Les mesures réelles (A) des niveaux acoustiques de l'appareil sont :		
Niveau de pression acoustique (K=3dB(A)) Niveau d'intensité acoustique (K=3dB(A))	93 dB(A) 104 dB(A)	93 dB(A) 104 dB(A)
Toujours porter une protection acoustique!		
Valeurs totales des vibrations (somme vectorielle de trois sens) établies conformément à EN 60745.		
Dégrossissage: Valeur d'émission vibratoire ah Incertitude K	2,5 m/s ² 1,5 m/s ²	2,5 m/s ² 1,5 m/s ²
Ponçage à la toile émeri Valeur d'émission vibratoire ah Incertitude K	< 2,5 m/s ² 1,5 m/s ²	< 2,5 m/s ² 1,5 m/s ²
Des valeurs de vibration différentes peuvent se présenter pendant d'autres applications, comme par exemple le tronçonnage ou le polissage avec la brosse à fils métalliques !		

AVERTISSEMENT

Le niveau vibratoire indiqué dans ces instructions a été mesuré selon un procédé de mesure normalisé dans la norme EN 60745 et peut être utilisé pour comparer des outils électriques entre eux. Il convient aussi à une estimation provisoire de la sollicitation par les vibrations.

Le niveau vibratoire indiqué représente les applications principales de l'outil électrique. Toutefois, si l'outil électrique est utilisé pour d'autres applications, avec des outils rapportés qui diffèrent ou une maintenance insuffisante, il se peut que le niveau vibratoire diverge. Cela peut augmenter nettement la sollicitation par les vibrations sur tout l'intervalle de temps du travail.

Pour une estimation précise de la sollicitation par les vibrations, on devrait également tenir compte des temps pendant lesquels l'appareil n'est pas en marche ou tourne sans être réellement en service. Cela peut réduire nettement la sollicitation par les vibrations sur tout l'intervalle de temps du travail.

Définissez des mesures de sécurité supplémentaires pour protéger l'utilisateur contre l'influence des vibrations, comme par exemple: la maintenance de l'outil électrique et des outils rapportés, le maintien au chaud des mains, l'organisation des déroulements de travail.

⚠ AVERTISSEMENT! Lisez toutes les consignes de sécurité et les instructions, même celles qui se trouvent dans la brochure ci-jointe. Le non-respect des avertissements et instructions indiqués ci après peut entraîner un choc électrique, un incendie et/ou de graves blessures sur les personnes.
Bien garder tous les avertissements et instructions.

INDICATIONS DE SÉCURITÉ POUR POLISSEUR D'ANGLE

Consignes de sécurité communes pour le meulage, le ponçage à la toile émeri, les travaux avec brosses à fils métalliques et le tronçonnage

a) Cet outil électrique est à utiliser comme meuleur, meuleur à la toile émeri, brosse à fils mécaniques et tronçonneuse. Tenez compte de toutes les consignes de sécurité, instructions, représentations et données que vous recevez avec l'outil électrique. Si vous n'observez pas les instructions suivantes, un choc électrique, un incendie et/ou des blessures graves peuvent se produire.

b) Cet outil électrique ne convient pas la toile émeri et au polissage. Les cas d'utilisation pour lesquels l'outil électrique n'est pas prévu peuvent présenter des mises en danger et être à l'origine de blessures.

c) Ne pas utiliser d'accessoires non conçus spécifiquement et recommandés par le fabricant d'outils. Le simple fait que l'accessoire puisse être fixé à votre outil électrique ne garantit pas un fonctionnement en toute sécurité.

d) La vitesse assignée de l'accessoire doit être au moins égale à la vitesse maximale indiquée sur l'outil électrique. Les accessoires fonctionnant plus vite que leur vitesse assignée peuvent se rompre et voler en éclat.

e) Le diamètre extérieur et l'épaisseur de votre accessoire doivent se situer dans le cadre des caractéristiques de capacité de votre outil électrique. Les accessoires dimensionnés de façon incorrecte ne peuvent pas être protégés ou commandés de manière appropriée.

f) La taille de mandrin des meules, flasques, patins d'appui ou tout autre accessoire doit s'adapter

correctement à l'arbre de l'outil électrique. Les accessoires avec alésages centraux ne correspondant pas aux éléments de montage de l'outil électrique seront en déséquilibre, vibreront excessivement, et pourront provoquer une perte de contrôle.

g) Ne pas utiliser d'accessoire endommagé. Avant chaque utilisation examiner les accessoires comme les meules abrasives pour détecter la présence éventuelle de copeaux et fissures, les patins d'appui pour détecter des traces éventuelles de fissures, de déchirure ou d'usure excessive, ainsi que les brosses métalliques pour détecter des fils desserrés ou fissurés. Si l'outil électrique ou l'accessoire a subi une chute, examiner les dommages éventuels ou installer un accessoire non endommagé. Après examen et installation d'un accessoire, placez-vous ainsi que les personnes présentes à distance du plan de l'accessoire rotatif et faire marcher l'outil électrique à vitesse maximale à vide pendant 1 min. Les accessoires endommagés seront normalement détruits pendant cette période d'essai.

h) Porter un équipement de protection individuelle. En fonction de l'application, utiliser un écran facial, des lunettes de sécurité ou des verres de sécurité. Le cas échéant, utiliser un masque antipoussières, des protections auditives, des gants et un tablier capables d'arrêter les petits fragments abrasifs ou des pièces à usiner. La protection oculaire doit être capable d'arrêter les débris volants produits par les diverses opérations. Le masque antipoussières ou le respirateur doit être capable de filtrer les particules produites par vos travaux. L'exposition prolongée aux bruits de forte intensité peut provoquer une perte de l'audition.

i) Maintenir les personnes présentes à une distance de sécurité par rapport à la zone de travail. Toute personne entrant dans la zone de travail doit porter un équipement de protection individuelle. Des fragments de pièce à usiner ou d'un accessoire cassé peuvent être projetés et provoquer des blessures en dehors de la zone immédiate d'opération.

j) Tenir l'outil uniquement par les surfaces de préhension isolantes, pendant les opérations au cours desquelles l'accessoire coupant peut être en contact avec des conducteurs cachés ou avec son propre câble. Le contact de l'accessoire coupant avec un fil « sous tension » peut également mettre « sous tension » les parties métalliques exposées de l'outil électrique et provoquer un choc électrique sur l'opérateur.

k) Placer le câble éloigné de l'accessoire de rotation. Si vous perdez le contrôle, le câble peut être coupé ou subir un accro et votre main ou votre bras peut être tiré dans l'accessoire de rotation.

l) Ne jamais reposer l'outil électrique avant que l'accessoire n'ait atteint un arrêt complet. L'accessoire de rotation peut agripper la surface et arracher l'outil électrique hors de votre contrôle.

m) Ne pas faire fonctionner l'outil électrique en le portant sur le côté. Un contact accidentel avec l'accessoire de rotation pourrait accrocher vos vêtements et attirer l'accessoire sur vous.

n) Nettoyer régulièrement les orifices d'aération de l'outil électrique. Le ventilateur du moteur attirera la poussière à l'intérieur du boîtier et une accumulation excessive de poudre de métal peut provoquer des dangers électriques.

o) Ne pas faire fonctionner l'outil électrique à proximité de matériaux inflammables. Des étincelles pourraient enflammer ces matériaux.

p) Ne pas utiliser d'accessoires qui nécessitent des réfrigérants fluides. L'utilisation d'eau ou d'autres réfrigérants fluides peut aboutir à une électrocution ou un choc électrique.

Rebonds et mises en garde correspondantes

Le rebond est une réaction soudaine au pincement ou à l'accrochage d'une meule rotative, d'un patin d'appui, d'une brosse ou de tout autre accessoire. Le pincement ou l'accrochage provoque un blocage rapide de l'accessoire en rotation qui, à son tour, contraint l'outil électrique hors de contrôle dans le sens opposé de rotation de l'accessoire au point du grippage.

Par exemple, si une meule abrasive est accrochée ou pincée par la pièce à usiner, le bord de la meule qui entre dans le point de pincement peut creuser la surface du matériau, provoquant des sauts ou l'expulsion de la meule. La meule peut sauter en direction de l'opérateur ou encore en s'en éloignant, selon le sens du mouvement de la meule au point de pincement. Les meules abrasives peuvent également se rompre dans ces conditions. Le rebond résulte d'un mauvais usage de l'outil et/ou de procédures ou de conditions de fonctionnement incorrectes et peut être évité en prenant les précautions appropriées spécifiées ci-dessous.

a) Maintenir fermement l'outil électrique et placer votre corps et vos bras pour vous permettre de résister aux forces de rebond. Toujours utiliser une poignée auxiliaire, le cas échéant, pour une maîtrise maximale du rebond ou de la réaction de couple au cours du démarrage. L'opérateur peut maîtriser les couples de réaction ou les forces de rebond, si les précautions qui s'imposent sont prises.

b) Ne jamais placer votre main à proximité de l'accessoire en rotation. L'accessoire peut effectuer un rebond sur votre main.

c) Ne pas vous placer dans la zone où l'outil électrique se déplacera en cas de rebond. Le rebond pousse l'outil dans le sens opposé au mouvement de la meule au point d'accrochage.

d) Apporter un soin particulier lors de travaux dans les coins, les arêtes vives etc. Eviter les rebondissements et les accrochages de l'accessoire. Les coins, les arêtes vives ou les rebondissements ont tendance à accrocher l'accessoire en rotation et à provoquer une perte de contrôle ou un rebond.

e) Ne pas fixer de chaîne coupante, de lame de sculpture sur bois, de chaîne coupante ni de lame de scie dentée. De telles lames provoquent des rebonds fréquents et des pertes de contrôle.

Mises en garde de sécurité spécifiques aux opérations de meulage et de tronçonnage abrasif :

a) Le protecteur doit être solidement fixé à l'outil électrique et placé en vue d'une sécurité maximale, de sorte que l'opérateur soit exposé le moins possible à la meule. Le protecteur permet de protéger l'opérateur des fragments de meule cassée et d'un contact accidentel avec la meule.

b) Utiliser uniquement des types de meules recommandés pour votre outil électrique et le protecteur spécifique conçu pour la meule choisie. Les meules pour lesquelles l'outil électrique n'a pas été conçu ne peuvent pas être protégées de façon satisfaisante et sont dangereuses.

c) Les meules doivent être utilisées uniquement pour les applications recommandées. Par exemple : ne pas meuler avec le côté de la meule à tronçonner. Les meules à tronçonner abrasives sont destinées au meulage périphérique, l'application de forces latérales à ces meules peut les briser en éclats.

d) Toujours utiliser des flasques de meule non endommagés qui sont de taille et de forme correctes pour la meule que vous avez choisie. Des flasques de meule appropriés supportent la meule réduisant ainsi la possibilité de rupture de la meule. Les flasques pour les meules à tronçonner peuvent être différents des autres flasques de meule.

e) **Ne pas utiliser de meules usées d'outils électriques plus grands.** La meule destinée à un outil électrique plus grand n'est pas appropriée pour la vitesse plus élevée d'un outil plus petit et elle peut éclater.

Mises en garde de sécurité additionnelles spécifiques aux opérations de tronçonnage abrasif

a) **Ne pas « coincer » la meule à tronçonner ou ne pas appliquer une pression excessive. Ne pas tenter d'exécuter une profondeur de coupe excessive.** Une contrainte excessive de la meule augmente la charge et la probabilité de torsion ou de blocage de la meule dans la coupe et la possibilité de rebond ou de rupture de la meule.

b) **Ne pas vous placer dans l'alignement de la meule en rotation ni derrière celle-ci.** Lorsque la meule, au point de fonctionnement, s'éloigne de votre corps, le rebond éventuel peut propulser la meule en rotation et l'outil électrique directement sur vous.

c) **Lorsque la meule se bloque ou lorsque la coupe est interrompue pour une raison quelconque, mettre l'outil électrique hors tension et tenir l'outil électrique immobile jusqu'à ce que la meule soit à l'arrêt complet. Ne jamais tenter d'enlever la meule à tronçonner de la coupe tandis que la meule est en mouvement sinon le rebond peut se produire.** Rechercher et prendre des mesures correctives afin d'empêcher que la meule ne se grippe.

d) **Ne pas reprendre l'opération de coupe dans la pièce à usiner. Laisser la meule atteindre sa pleine vitesse et rentrer avec précaution dans le tronçon.** La meule peut se coincer, venir chevaucher la pièce à usiner ou effectuer un rebond si l'on fait redémarrer l'outil électrique dans la pièce à usiner.

e) **Prévoir un support de panneaux ou de toute pièce à usiner surdimensionnée pour réduire le risque de pincement et de rebond de la meule.** Les grandes pièces à usiner ont tendance à fléchir sous leur propre poids. Les supports doivent être placés sous la pièce à usiner près de la ligne de coupe et près du bord de la pièce des deux côtés de la meule.

f) **Soyez particulièrement prudent lorsque vous faites une « coupe en retrait » dans des parois existantes ou dans d'autres zones sans visibilité.** La meule saillante peut couper des tuyaux de gaz ou d'eau, des câblages électriques ou des objets, ce qui peut entraîner des rebonds.

Mises en garde de sécurité spécifiques aux opérations de ponçage

a) **Ne pas utiliser de papier abrasif trop surdimensionné pour les disques de ponçage. Suivre les recommandations des fabricants, lors du choix du papier abrasif.** Un papier abrasif plus grand s'étendant au-delà du patin de ponçage présente un danger de lacération et peut provoquer un accrochage, une déchirure du disque ou un rebond.

Mises en garde de sécurité spécifiques aux opérations de brossage métallique

a) **Garder à l'esprit que des brins métalliques sont rejetés par la brosse même au cours d'une opération ordinaire. Ne pas soumettre à une trop grande contrainte les fils métalliques en appliquant une charge excessive à la brosse.** Les brins métalliques peuvent aisément pénétrer dans des vêtements légers et/ou la peau.

b) **Si l'utilisation d'un protecteur est recommandée pour le brossage métallique, ne permettre aucune gêne du touret ou de la brosse métallique au protecteur.** Le touret ou la brosse métallique peut se dilater en diamètre en raison de la charge de travail et des forces centrifuges.

Les disques polisseurs à moyeu déporté devront être montés d'une façon telle que leur surface de polissage termine au moins 2 mm au-dessous du niveau du bord du protecteur.

Les prises de courant se trouvant à l'extérieur doivent être équipées de disjoncteurs différentiel (FI, RCD, PRCD) conformément aux prescriptions de mise en place de votre installation électrique. Veuillez en tenir compte lors de l'utilisation de notre appareil.

Ne jamais enlever les copeaux ni les éclats lorsque la machine est en marche.

Ne raccorder la machine au réseau que si l'interrupteur est en position arrêté.

Ne jamais intervenir dans la zone dangereuse lorsque la machine est en marche.

Utiliser toujours la poignée supplémentaire.

Arrêter la machine tout de suite lorsqu'il y a des vibrations importantes ou que d'autres défauts surgissent. Contrôler la machine afin d'en trouver les causes.

Toujours utiliser et conserver les meules conformément aux indications du fabricant.

L'usinage des métaux génère des étincelles. Veiller à ce que personne ne soit exposé à un danger. En raison du risque d'incendie, aucune matière inflammable ou combustible ne doit se trouver dans la zone de projection des étincelles. Ne pas utiliser d'aspirateur de poussières.

Toujours maintenir la machine de façon à ce que étincelles et poussières soient projetées dans la direction opposée au corps.

Le chariot de guidage est obligatoire pour des travaux de tronçonnage de la pierre.

L'écrou du flasque doit être serré avant de mettre en marche la machine.

La pièce à travailler doit être fortement serrée lorsque son propre poids ne suffit pas à la maintenir. Ne jamais guider la pièce à travailler à la main vers la meule.

Dans le cas de conditions d'utilisation extrêmes (par exemple, pendant le polissage à la meule des métaux avec le plateau d'appui et les disques de rectification aux fibres vulcanisées), un encrassement important peut se former à l'intérieur de la meuleuse d'angle. Dans de telles conditions d'utilisation, il est nécessaire pour des raisons de sécurité de procéder à un nettoyage minutieux à l'intérieur pour éliminer les dépôts métalliques et de monter absolument un interrupteur de protection contre les courants de court-circuit en amont. La machine doit nous être expédiée pour une réparation si cet interrupteur de protection se déclenche.

Sur les machines prévues pour les outils abrasifs à orifice fileté, vérifiez que la profondeur du filetage est suffisante pour la longueur de la broche.

Utiliser un capot de protection fermé contenu dans le programme d'accessoires pour les travaux de tronçonnage.

UTILISATION CONFORME AUX PRESCRIPTIONS

La meuleuse d'angle peut être utilisée pour tronçonner et dégrossir de nombreux matériaux, comme par exemple les métaux ou les pierres, ainsi que pour rectifier avec un disque de rectification en matière plastique et pour travailler avec la brosse en fils d'acier. En cas de doute, observer les remarques du fabricant d'accessoires.

Comme déjà indiqué, cette machine n'est conçue que pour une utilisation normale.

DECLARATION "CE DE CONFORMITÉ

Nous déclarons sous notre seule responsabilité que le produit décrit sous « Caractéristiques techniques » concorde avec toutes les consignes pertinentes de la directive 2011/65 EU (RoHS), 2004/108/EC, 2006/42/EC et les documents normatifs harmonisés suivants :

EN 60745-1:2009+A11:2010
EN 60745-2-3:2011
EN 55014-1:2006+A1:2009+A2:2011
EN 55014-2:1997+A1:2001+A2:2008
EN 61000-3-2:2006+A1:2009+A2:2009
EN 61000-3-3:2008

Winnenden, 2013-08-26



Alexander Krug
Managing Director



Autorisé à compiler la documentation technique.

Techtronic Industries GmbH
Max-Eyth-Straße 10
71364 Winnenden

BRANCHED MISE EN SECURITE

Raccorder uniquement à un courant électrique monophasé et uniquement à la tension secteur indiquée sur la plaque signalétique. Le raccordement à des prises de courant sans contact de protection est également possible car la classe de protection II est donnée.

ACCOUPLERMENT DE SECURITE

En cas de coincement ou d'un blocage soudain de l'outil interchangeable, l'accouplement de sécurité sépare la broche de travail du moteur. L'outil interchangeable s'immobilise et protège ainsi l'utilisateur contre un choc en retour. Après la décharge, l'outil interchangeable tourne à nouveau lentement jusqu'au régime de travail. Indépendamment de cela, il est absolument impératif de respecter les consignes de sécurité décrites.

DISPOSITIF DE PROTECTION CONTRE UN REDEMARRAGE

Les machines qui disposent d'un commutateur pouvant être bloqué sont équipées d'un dispositif de protection contre le redémarrage. Celui-ci empêche un redémarrage de la machine après une panne de courant. Si le travail est repris à nouveau, il convient d'éteindre la machine et de la ré-enclencher.

LIMITATION DU COURANT DE DEMARRAGE

La tension d'amorçage de la machine est un multiple de sa tension nominale. Grâce à la limitation du courant de démarrage, la tension d'amorçage est réduite à tel point qu'un fusible (16 A à action retardée) ne répond pas.

ENTRETIEN

En cas d'endommagement du câble d'alimentation de l'outil électrique, le câble devra être remplacé par un câble d'alimentation approprié disponible chez l'organisation d'assistance technique.

Tenir toujours propre les orifices de ventilation de la partie moteur.

N'utiliser que des pièces et accessoires Milwaukee. Pour des pièces dont l'échange n'est pas décrit, s'adresser de préférence aux stations de service après-vente Milwaukee (voir brochure Garantie/Adresses des stations de service après-vente).

En cas de besoin il est possible de demander un dessin éclaté du dispositif en indiquant le modèle de la machine et le numéro de six chiffres imprimé sur la plaquette de puissance et en s'adressant au centre d'assistance technique ou directement à Techtronic Industries GmbH, Max-Eyth-Straße 10, 71364 Winnenden, Germany.

SYMBLES



Veuillez lire avec soin le mode d'emploi avant la mise en service



Toujours porter des lunettes protectrices en travaillant avec la machine.



Avant tous travaux sur la machine extraire la fiche de la prise de courant.






Accessoire - Ces pièces ne font pas partie de la livraison. Il s'agit là de compléments proposés pour votre machine et énumérés dans le catalogue d'accessoires.



Ne pas jeter les appareils électriques dans les ordures ménagères! Conformément à la directive européenne 2002/96/EG relative aux déchets d'équipements électriques ou électroniques (DEEE), et à sa transposition dans la législation nationale, les appareils électriques doivent être collectés à part et être soumis à un recyclage respectueux de l'environnement.



Outil électrique en classe de protection II. Outil électrique équipé d'une protection contre la fulguration électrique qui ne dépend seulement de l'isolation de base mais aussi de l'application d'autres mesures de protection telles qu'une double isolation ou une isolation augmentée. La connexion d'un conducteur de protection n'est pas prédisposée.

DATI TECNICI	AGVM 24-230 GEX	AGVM 26-230 GEX
Smerigliatrice Numero di serie	4026 50 01... 4026 61 01... ...000001-999999	4026 67 01... 4026 55 01... ...000001-999999
Potenza assorbita nominale	2400 W	2600 W
Numero giri nominale	6600 min ⁻¹	6600 min ⁻¹
 D=Ø disco abrasivo max. b=Spessore disco levigatore max. d=diam. Foro	D= max 230 mm b= max 6 mm (1/4") d= 22,2 mm	D= max 230 mm b= max 6 mm (1/4") d= 22,2 mm
 D=Diametro superficie di molatura max.	D= max 230 mm	D= max 230 mm
 D=Diametro spazzola metallica max.	D= max 100 mm	D= max 100 mm
Passo attacco codolo	M14	M14
Peso secondo la procedura EPTA 01/2003.	5,8 kg	5,8 kg
Informazioni sulla rumorosità/sulle vibrazioni Valori misurati conformemente alla norma EN 60745. La misurazione A del livello di pressione acustica dell'utensile è di solito di: Livello di rumorosità (K=3dB(A)) Potenza della rumorosità (K=3dB(A)) Utilizzare le protezioni per l'udito!	93 dB(A) 104 dB(A)	93 dB(A) 104 dB(A)
Valori totali delle oscillazioni (somma di vettori in tre direzioni) misurati conformemente alla norma EN 60745 Sgrossatura: Valore di emissione dell'oscillazione ah Incertezza della misura K Smerigliatura con carta vetrata Valore di emissione dell'oscillazione ah Incertezza della misura K Per altre applicazioni, come ad esempio troncatura alla mola o la molatura con spazzola d'acciaio, possono essere prodotti altri livelli di vibrazione!	2,5 m/s ² 1,5 m/s ² < 2,5 m/s ² 1,5 m/s ²	2,5 m/s ² 1,5 m/s ² < 2,5 m/s ² 1,5 m/s ²

AVVERTENZA

Il livello di vibrazioni indicato nelle presenti istruzioni è stato misurato in conformità con un procedimento di misurazione codificato nella EN 60745 e può essere utilizzato per un confronto tra attrezzi elettrici. Inoltre si può anche utilizzare per una valutazione preliminare della sollecitazione da vibrazioni.

Il livello di vibrazioni indicato rappresenta le applicazioni principali dell'attrezzo elettrico. Se viceversa si utilizza l'attrezzo elettrico per altri scopi, con accessori differenti o con una manutenzione insufficiente, il livello di vibrazioni può risultare diverso. E questo può aumentare decisamente la sollecitazione da vibrazioni lungo l'intero periodo di lavorazione.

Ai fini di una valutazione precisa della sollecitazione da vibrazioni si dovrebbero tenere presente anche i periodi in cui l'apparecchio rimane spento oppure, anche se acceso, non viene effettivamente utilizzato. Ciò può ridurre notevolmente la sollecitazione da vibrazioni lungo l'intero periodo di lavorazione.

Stabilite misure di sicurezza supplementari per la tutela dell'operatore dall'effetto delle vibrazioni, come ad esempio: manutenzione dell'attrezzo elettrico e degli accessori, riscaldamento delle mani, organizzazione dei processi di lavoro.

AVVERTENZA! E' necessario leggere tutte le indicazioni di sicurezza e le istruzioni, anche quelle contenute nella brochure allegata. In caso di mancato rispetto delle avvertenze di pericolo e delle istruzioni operative si potrà creare il pericolo di scosse elettriche, incendi e/o incidenti gravi.

Conservare tutte le avvertenze di pericolo e le istruzioni operative per ogni esigenza futura.

INDICAZIONI DI SICUREZZA PER LA SMERIGLIATRICE ANGOLARE

Avvertenze di sicurezza comuni per i lavori di levigatura, levigatura con carta vetrata, lavori con spazzole di ferro e troncatura alla mola

a) Il presente utensile elettrico va usato come levigatrice, levigatrice a carta vetrata, spazzola di ferro e troncatrice alla mola. Rispettare tutte le avvertenze di sicurezza, istruzioni, indicazioni e dati inoltrati insieme all'utensile elettrico. La mancata osservazione delle istruzioni di seguito riportate potrebbe comportare folgorazioni elettriche, incendi e/o gravi lesioni.

b) Questo attrezzo elettrico non è idoneo per la lucidatura. Qualsiasi utilizzo non previsto con il presente attrezzo elettrico può causare pericolo e lesioni.

c) Non utilizzare nessun accessorio che la casa costruttrice non abbia esplicitamente previsto e raccomandato per questo elettroutensile. Il semplice fatto che un accessorio possa essere fissato al Vostro elettroutensile non è una garanzia per un impiego sicuro.

d) Il numero di giri ammesso dell'accessorio impiegato deve essere almeno tanto alto quanto il numero massimo di giri riportato sull'elettroutensile. Un accessorio che gira più rapidamente di quanto consentito può rompersi in vari pezzi e venir lanciato intorno.

e) Il diametro esterno e lo spessore dell'accessorio montato devono corrispondere ai dati delle dimensioni dell'elettroutensile in dotazione. In caso di utilizzo di portautensili e di accessori di dimensioni sbagliate non sarà possibile schermarli oppure controllarli a sufficienza.

f) Dischi abrasivi, flange, platorelli oppure altri portautensili ed accessori devono adattarsi perfettamente al mandrino portamola dell'elettroutensile in dotazione.

Portautensili ed accessori che non si adattano perfettamente al mandrino portamola dell'elettroutensile non ruotano in modo uniforme, vibrano molto forte e possono provocare la perdita del controllo.

g) Non utilizzare mai portautensili od accessori danneggiati. Prima di ogni utilizzo controllare i portautensili e gli accessori ed accertarsi che sui dischi abrasivi non vi siano scheggiature o crepature, che il platorello non sia soggetto ad incrinature, crepature o forte usura e che le spazzole metalliche non abbiano fili metallici allentati oppure rotti. Se l'elettroutensile oppure l'accessorio impiegato dovesse sfuggire dalla mano e cadere, accertarsi che questo non abbia subito nessun danno oppure utilizzare un accessorio intatto. Una volta controllato e montato il portautensili o accessorio, far funzionare l'elettroutensile per la durata di un minuto con il numero massimo di giri avendo cura di tenersi lontani e di impedire anche ad altre persone presenti di avvicinarsi al portautensili o accessorio in rotazione. Nella maggior parte dei casi i portautensili o accessori danneggiati si rompono nel corso di questo periodo di prova.

h) Indossare abbigliamento di protezione. A seconda dell'applicazione in corso utilizzare una visiera completa, mascherina di protezione per gli occhi oppure occhiali di sicurezza. Per quanto necessario, portare mascherine per polveri, protezione acustica, guanti di protezione oppure un grembiule speciale in grado di proteggervi da piccole particelle di levigatura o di materiale. Gli occhi dovrebbero essere protetti da corpi estranei espulsi in aria nel corso di diverse applicazioni. La mascherina antipolvere e la mascherina respiratoria devono essere in grado di filtrare la polvere provocata durante l'applicazione. Esponendosi per lungo tempo ad un rumore troppo forte vi è il pericolo di perdere l'udito.

i) Avere cura di evitare che altre persone possano avvicinarsi alla zona in cui si sta lavorando. Ogni persona che entra nella zona di operazione deve indossare un abbigliamento protettivo personale. Frammenti del pezzo in lavorazione oppure utensili rotti possono volar via oppure provocare incidenti anche al di fuori della zona diretta di lavoro.

j) Quando si eseguono lavori in cui vi è pericolo che l'accessorio impiegato possa arrivare a toccare cavi elettrici nascosti oppure anche il cavo elettrico della macchina stessa, tenere l'elettroutensile afferrandolo sempre alle superfici di impugnatura isolate. Un contatto con un cavo elettrico mette sotto tensione anche le parti in metallo dell'elettroutensile e provoca quindi una scossa elettrica.

k) Tenere il cavo di collegamento elettrico sempre lontano da portautensili o accessori in rotazione. Se si perde il controllo sull'elettroutensile vi è il pericolo di troncare o di colpire il cavo di collegamento elettrico e la Vostra mano o braccio può arrivare a toccare il portautensili o accessorio in rotazione.

l) Mai poggiare l'elettroutensile prima che il portautensili o l'accessorio impiegato non si sia fermato completamente. L'utensile in rotazione può entrare in contatto con la superficie di appoggio facendoVi perdere il controllo sulla macchina pneumatica.

m) Mai trasportare l'elettroutensile mentre questo dovesse essere ancora in funzione. Attraverso un contatto casuale l'utensile in rotazione potrebbe fare presa sugli indumenti oppure sui capelli dell'operatore e potrebbe arrivare a ferire seriamente il corpo dell'operatore.

n) Pulire regolarmente le feritoie di ventilazione dell'elettroutensile in dotazione. Il ventilatore del motore attira polvere nella carcassa ed una forte raccolta di polvere di metallo può provocare pericoli di origine elettrica.

o) Non utilizzare mai l'elettroutensile nelle vicinanze di materiali infiammabili. Le scintille possono far prendere fuoco questi materiali.

p) Non utilizzare mai accessori che richiedano refrigeranti liquidi. L'utilizzo di acqua o di altri liquidi refrigeranti può provocare una scossa di corrente elettrica.

Contraccolpo e relative avvertenze di pericolo

Un contraccolpo è l'improvvisa reazione in seguito ad agganciamento oppure blocco di accessorio in rotazione come

può essere un disco abrasivo, platorello, spazzola metallica ecc.. Agganciandosi oppure bloccandosi il portautensili o accessorio provoca un arresto improvviso della rotazione dello stesso. In questo caso l'operatore non è più in grado di controllare l'elettroutensile ed al punto di blocco si provoca un rimbalzo dello stesso che avviene nella direzione opposta a quella della rotazione del portautensili o dell'accessorio. Se p. es. un disco abrasivo resta agganciato o bloccato nel pezzo in lavorazione, il bordo del disco abrasivo che si abbassa nel pezzo in lavorazione può rimanere impigliato provocando in questo modo una rottura oppure un contraccolpo del disco abrasivo. Il disco abrasivo si avvicina o si allontana dall'operatore a seconda della direzione di rotazione che ha nel momento in cui si blocca. In tali situazioni è possibile che le mole abrasive possano anche rompersi. Un contraccolpo è la conseguenza di un utilizzo non appropriato oppure non corretto dell'elettroutensile. Esso può essere evitato soltanto prendendo misure adatte di sicurezza come dalla descrizione che segue.

a) Tenere sempre ben saldo l'elettroutensile e portare il proprio corpo e le proprie braccia in una posizione che Vi permetta di compensare le forze di contraccolpo. Se disponibile, utilizzare sempre l'impugnatura supplementare in modo da poter avere sempre il maggior controllo possibile su forze di contraccolpi oppure momenti di reazione che si sviluppano durante la fase in cui la macchina raggiunge il regime di pieno carico. Prendendo appropriate misure di precauzione l'operatore può essere in grado di tenere sotto controllo le forze di contraccolpo e quelle di reazione a scatti.

b) Mai avvicinare la propria mano alla zona degli utensili in rotazione. Nel corso dell'azione di contraccolpo il portautensili o accessorio potrebbe passare sulla Vostra mano.

c) Evitare di avvicinarsi con il proprio corpo alla zona in cui l'elettroutensile viene mosso in caso di un contraccolpo. Un contraccolpo provoca uno spostamento improvviso dell'elettroutensile che si sviluppa nella direzione opposta a quella della rotazione della mola abrasiva al punto di blocco.

d) Operare con particolare attenzione in prossimità di spigoli, spigoli taglienti ecc.. Avere cura di impedire che portautensili o accessori possano rimbalzare dal pezzo in lavorazione oppure possano rimanervi bloccati. L'utensile in rotazione ha la tendenza a rimanere bloccato in angoli, spigoli taglienti oppure in caso di rimbalzo. Ciò provoca una perdita del controllo oppure un contraccolpo.

e) Non utilizzare seghe a catena e neppure lame dentellate. Questo tipo di accessori provocano spesso un contraccolpo oppure la perdita del controllo sull'elettroutensile.

Particolari avvertenze di pericolo per operazioni di levigatura e di troncatura

a) Utilizzare esclusivamente utensili abrasivi che siano esplicitamente ammessi per l'elettroutensile in dotazione e sempre in combinazione con la cuffia di protezione prevista per ogni utensile abrasivo. Utensili abrasivi che non sono previsti per l'elettroutensile non possono essere sufficientemente schermati e sono insicuri.

b) Utilizzare sempre la cuffia di protezione prevista per il tipo di utensile abrasivo utilizzato. La cuffia di protezione deve essere applicata con sicurezza all'elettroutensile e regolata in modo tale da poter garantire il massimo possibile di sicurezza, cioè, che la parte dell'utensile abrasivo che senza protezione indica verso l'operatore deve essere ridotta al minimo possibile. La cuffia di protezione ha il compito di proteggere l'operatore da frammenti e da contatti accidentali con l'utensile abrasivo.

c) Utensili abrasivi possono essere utilizzati esclusivamente per le possibilità applicative esplicitamente raccomandate. P. es.: Mai eseguire lavori di levigatura con la superficie laterale di un disco abrasivo da taglio diritto. Mole abrasive da taglio diritto sono previste per l'asportazione di materiale con il bordo del disco. Esercitando dei carichi laterali su questi utensili abrasivi vi è il pericolo di romperli.

d) Per la mola abrasiva selezionata, utilizzare sempre flange di serraggio che siano in perfetto stato e che siano della corretta dimensione e forma. Flange adatte hanno una funzione di corretto supporto della mola abrasiva riducendo il più possibile il pericolo di una rottura della mola abrasiva. È possibile che vi sia una differenza tra flange per mole abrasive da taglio diritto e flange per mole abrasive di altro tipo.

e) Non utilizzare mai mole abrasive usurate previste per elettrotensili più grandi. Mole abrasive previste per elettrotensili più grandi non sono concepite per le maggiori velocità di elettrotensili più piccoli e possono rompersi.

Ulteriori avvertenze di pericolo specifiche per lavori di troncatura

a) Evitare di far bloccare il disco abrasivo da taglio diritto oppure di esercitare una pressione troppo alta. Non eseguire tagli eccessivamente profondi. Sottoponendo la mola da taglio diritto a carico eccessivo se ne aumenta la sollecitazione e la si rende maggiormente soggetta ad angolature improprie o a blocchi venendo così a creare il pericolo di contraccolpo oppure di rottura dell'utensile abrasivo.

b) Evitare di avvicinarsi alla zona anteriore o posteriore al disco abrasivo da taglio in rotazione. Quando l'operatore manovra la mola da taglio diritto nel pezzo in lavorazione in direzione opposta a quella della propria persona, può capitare che in caso di un contraccolpo il disco in rotazione faccia rimbalzare con violenza l'elettrotensile verso l'operatore.

c) Qualora il disco abrasivo da taglio diritto dovesse incepparsi oppure si dovesse interrompere il lavoro, spegnere l'elettrotensile e tenerlo fermo fino a quando il disco si sarà fermato completamente. Non tentare mai di estrarre il disco abrasivo da taglio in esecuzione perché si potrebbe provocare un contraccolpo. Rilevare ed eliminare la causa per il blocco.

d) Mai rimettere l'elettrotensile in funzione fintanto che esso si trovi ancora nel pezzo in lavorazione. Prima di continuare ad eseguire il taglio procedendo con la dovuta attenzione, attendere che il disco abrasivo da taglio diritto abbia raggiunto la massima velocità. In caso contrario è possibile che il disco resti agganciato, sbalzi dal pezzo in lavorazione oppure provochi un contraccolpo.

e) Dotare di un supporto adatto pannelli oppure pezzi in lavorazione di dimensioni maggiori in modo da ridurre il rischio di un contraccolpo dovuto ad un disco abrasivo da taglio diritto che rimane bloccato. Pezzi in lavorazione di dimensioni maggiori possono piegarsi sotto l'effetto del proprio peso. Provvedere a munire il pezzo in lavorazione di supporti adatti al caso specifico sia nelle vicinanze del taglio di troncatura che in quelle del bordo.

f) Operare con particolare attenzione in caso di «tagli dal centro» da eseguire in pareti già esistenti oppure in altre parti non visibili. Il disco abrasivo da taglio diritto che inizia il taglio sul materiale può provocare un contraccolpo se dovesse arrivare a troncature condutture del gas o dell'acqua, linee elettriche oppure oggetti di altro tipo.

Avvertenze di pericolo specifiche per lavori di levigatura con carta vetro

a) Non utilizzare mai fogli abrasivi troppo grandi ma attenersi alle indicazioni del rispettivo produttore relative alle dimensioni dei fogli abrasivi. Fogli abrasivi che dovessero sporgere oltre il platerello possono provocare incidenti oppure blocchi, strappi dei fogli abrasivi oppure contraccolpi.

Avvertenze di pericolo specifiche per lavori con spazzole metalliche

a) Tenere presente che la spazzola metallica perde pezzi di fil di ferro anche durante il comune impiego. Non sottoporre i fili metallici a carico troppo elevato esercitando una pressione troppo alta. Pezzi di fil di ferro espulsi in aria possono penetrare molto facilmente attraverso indumenti sottili e/o la pelle.

b) Impiegando una cuffia di protezione si impedisce che la cuffia di protezione e la spazzola metallica possano toccarsi. I diametri delle spazzole a disco e delle spazzole a tazza possono essere aumentati attraverso forze di pressione e tramite l'azione di forze centrifugali.

I dischi con centro ribassato devono essere montati in maniera tale che la loro superficie di molatura termini almeno 2 mm sotto il livello del bordo della cuffia di protezione.

Gli apparecchi mobili usati all'aperto devono essere collegati interponendo un interruttore di sicurezza (FI, RCD, PRCD) per guasti di corrente.

Non rimuovere trucioli o schegge mentre l'utensile è in funzione.

Inserire la spina solo con interruttore su posizione "OFF".

Non entrare nel raggio d'azione dell'utensile mentre è in funzione.

Utilizzare sempre l'impugnatura laterale.

Disinserire immediatamente la macchina in caso che si verificano delle forti oscillazioni oppure se si riscontrano altri difetti. Controllare la macchina per cercare di identificarne le cause.

Utilizzare e conservare le mole abrasive conformemente alle indicazioni della casa costruttrice.

Smerigliando metalli si producono scintille. Attenzione a non mettere in pericolo l'incolumità di persone. Per via del pericolo di incendio, nessun tipo di materiale infiammabile può trovarsi nelle vicinanze (potenziale raggio delle scintille). Non utilizzare aspirapolveri.

Tenere sempre l'utensile in modo tale che le scintille e polveri di molatura volino lontano dal corpo.

La slitta di guida è prescritta per la taglio della pietra.

Il dado flangiato deve essere serrato prima dell'utilizzo della macchina.

Il pezzo in lavorazione deve essere ben bloccato in posizione a meno che non resti stabile per via del proprio peso. Mai applicare a mano sulla mola il pezzo in lavorazione.

In condizioni di utilizzo estreme (ad es. nella rettifica liscia di metalli con il piatto di appoggio e dischi smerigliatori in fibra vulcanizzata) si può accumulare molta sporcizia all'interno della smerigliatrice angolare. Con simili condizioni di utilizzo, per motivi di sicurezza, è necessaria una pulizia a fondo all'interno per eliminare i depositi di metallo ed è assolutamente indispensabile inserire un interruttore di sicurezza per corrente di guasto a monte. Quando scatta l'interruttore di sicurezza la macchina va spedita alla riparazione.

Per gli utensili previsti per il montaggio con mola con foro filettato, verificare che la filettatura della mola sia sufficientemente lunga da consentire l'inserimento del mandrino.

Per i lavori di separazione utilizzare la cappa di protezione chiusa dal programma accessori.

UTILIZZO CONFORME

La smerigliatrice angolare può essere utilizzata per l'asportazione e la rettifica di sgrassatura di molti materiali, ad es. metallo o pietra, nonché per la rettifica con dischi smerigliatori di plastica e per lavorare con la spazzola di acciaio. In caso di dubbi vanno rispettate le indicazioni dei produttori degli accessori.

Utilizzare il prodotto solo per l'uso per cui è previsto.

DICHIARAZIONE DI CONFORMITÀ CE

Dichiariamo sotto la nostra esclusiva responsabilità che il prodotto descritto ai „Dati tecnici“ corrisponde a tutte le disposizioni delle direttive 2011/65/EU (RoHS), 2004/108/EG, 2006/42/EG e successivi documenti normativi armonizzati:

EN 60745-1:2009+A11:2010
EN 60745-2-3:2011
EN 55014-1:2006+A1:2009+A2:2011
EN 55014-2:1997+A1:2001+A2:2008
EN 61000-3-2:2006+A1:2009+A2:2009
EN 61000-3-3:2008



Winnenden, 2013-08-26

Alexander Krug
Managing Director

Autorizzato alla preparazione della documentazione tecnica

Techtronic Industries GmbH
Max-Eyth-Straße 10
71364 Winnenden

COLLEGAMENTO ALLA RETE

Connettere solo corrente alternata mono fase e solo al sistema di voltaggio indicato sulla piastra. È possibile anche connettere la presa senza un contatto di messa a terra così come prevede lo schema conforme alla norme di sicurezza di classe II.

FRIZIONE DI SICUREZZA

Se l'attrezzo utilizzato dovesse restare impigliato o si dovesse improvvisamente bloccare, la frizione di sicurezza stacca il mandrino portapezzo dal motore. L'attrezzo utilizzato si ferma proteggendo così l'operatore da eventuali contraccolpi. Dopo lo scaricamento, l'attrezzo si riavvia lentamente portandosi a velocità di lavoro, e si può riprendere a lavorare. Indipendentemente da tutto ciò, bisogna rispettare le avvertenze sulla sicurezza previste.

PROTEZIONE CONTRO IL RIAVVIAMENTO

Le macchine con interruttore bloccabile sono equipaggiate con una protezione contro il riavvio accidentale. Quest'ultima impedisce il riavvio della macchina dopo una mancanza di corrente. Se si riprende nuovamente a lavorare, spegnere e riaccendere la macchina.

LIMITAZIONE DELLA CORRENTE D'AVVIAMENTO

La corrente d'avviamento della macchina ha un valore multiplo della corrente nominale. Mediante la limitazione della corrente d'avviamento, essa viene ridotta in modo da non causare lo sgancio dell'interruttore automatico (da 16 A).

MANUTENZIONE

In caso di danneggiamento del cavo di alimentazione dell'utensile elettrico, il cavo dovrà essere sostituito con apposito cavo di alimentazione disponibile presso l'organizzazione di assistenza tecnica.

Tener sempre ben pulite le fessure di ventilazione dell'apparecchio. Utilizzare esclusivamente accessori e pezzi di ricambio Milwaukee. L'installazione di pezzi di ricambio non specificamente prescritti dall'Milwaukee va preferibilmente effettuata dal servizio di assistenza clienti Milwaukee (ved. opuscolo Garanzia/Indirizzi Assistenza tecnica).

In caso di necessità è possibile richiedere un disegno esploso del dispositivo indicando il modello della macchina ed il numero a sei cifre sulla targa di potenza rivolgendosi al centro di assistenza tecnica o direttamente a Techtronic Industries GmbH, Max-Eyth-Straße 10, 71364 Winnenden, Germany.

Simboli



Leggere attentamente le istruzioni per l'uso prima di mettere in funzione l'elettrotensile.



Durante l'uso dell'apparecchio utilizzare sempre gli occhiali di protezione.



Prima di effettuare qualsiasi lavoro sulla macchina togliere la spina dalla presa di corrente.



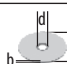


Accessorio - Non incluso nella dotazione standard, disponibile a parte come accessorio.



Non gettare le apparecchiature elettriche tra i rifiuti domestici. Secondo la Direttiva Europea 2002/96/CE sui rifiuti di apparecchiature elettriche ed elettroniche e la sua attuazione in conformità alle norme nazionali, le apparecchiature elettriche esauste devono essere accolte separatamente, al fine di essere reimpiegate in modo eco-compatibile.



Utensile elettrico di classe di protezione II. Utensile elettrico sul quale la protezione contro la folgorazione elettrica non dipende soltanto dall'isolamento di base, ma anche dall'applicazione di ulteriori misure di protezione, come il doppio isolamento o l'isolamento maggiorato. Non è predisposto il collegamento di un conduttore di protezione..

DATOS TÉCNICOS Amoladora Angular	AGVM 24-230 GEX	AGVM 26-230 GEX
Número de producción	4026 50 01... 4026 61 01... ...000001-999999	4026 67 01... 4026 55 01... ...000001-999999
Potencia de salida nominal	2400 W	2600 W
Revoluciones nominales	6600 min ⁻¹	6600 min ⁻¹
 D=Diám. disco de amolado máx. b=Espesor del disco abrasivo máx. d=∅ del taladro	D= max 230 mm b= max 6 mm (1/4") d= 22,2 mm	D= max 230 mm b= max 6 mm (1/4") d= 22,2 mm
 D=Diámetro de las superficies de amolado máx.	D= max 230 mm	D= max 230 mm
 D=Diámetro de los cepillos metálicos máx.	D= max 100 mm	D= max 100 mm
Rosca de eje de trabajo	M14	M14
Peso de acuerdo con el procedimiento EPTA 01/2003	5,8 kg	5,8 kg
Información sobre ruidos / vibraciones Determinación de los valores de medición según norma EN 60745. El nivel de ruido típico del aparato determinado con un filtro A corresponde a: Presión acústica (K=3dB(A)) Resonancia acústica (K=3dB(A)) Usar protectores auditivos!	93 dB(A) 104 dB(A)	93 dB(A) 104 dB(A)
Nivel total de vibraciones (suma vectorial de tres direcciones) determinado según EN 60745. Rectificado de desbaste: Valor de vibraciones generadas ah Tolerancia K Esmerilado con papel de lija Valor de vibraciones generadas ah Tolerancia K En el caso de otras aplicaciones, como p. ej. el tronzamiento con la muela o el esmerilado con cepillo de alambre de acero pueden resultar otros valores de vibración.	2,5 m/s ² 1,5 m/s ² < 2,5 m/s ² 1,5 m/s ²	2,5 m/s ² 1,5 m/s ² < 2,5 m/s ² 1,5 m/s ²

ADVERTENCIA

El nivel vibratorio indicado en estas instrucciones ha sido medido conforme a un método de medición estandarizado en la norma EN 60745, y puede utilizarse para la comparación entre herramientas eléctricas. También es apropiado para una estimación provisional de la carga de vibración.

El nivel vibratorio indicado representa las aplicaciones principales de la herramienta eléctrica. Si, pese a ello, se utiliza la herramienta eléctrica para otras aplicaciones, con útiles adaptables diferentes o con un mantenimiento insuficiente, el nivel vibratorio puede diferir. Esto puede incrementar sensiblemente la carga de vibración durante todo el periodo de trabajo.

Para una estimación exacta de la carga de vibración deberían tenerse en cuenta también los tiempos durante los que el aparato está apagado o, pese a estar en funcionamiento, no está siendo realmente utilizado. Esto puede reducir sustancialmente la carga de vibración durante todo el periodo de trabajo.

Adopte medidas de seguridad adicionales para la protección del operador frente al efecto de las vibraciones, como por ejemplo: mantenimiento de la herramienta eléctrica y de los útiles adaptables, mantener las manos calientes, organización de los procesos de trabajo.

⚠ ADVERTENCIA! Rogamos leer las indicaciones de seguridad y las instrucciones, también las que contiene el folleto adjunto. En caso de no atenerse a las advertencias de peligro e instrucciones siguientes, ello puede ocasionar una descarga eléctrica, un incendio y/o lesión grave.

Guardar todas las advertencias de peligro e instrucciones para futuras consultas.

INSTRUCCIONES DE SEGURIDAD PARA LA AMOLADORA DE ÁNGULO

Instrucciones comunes de seguridad para realizar trabajos de amolado, lijado, con cepillos de alambre y tronzado

a) Esta herramienta eléctrica ha sido concebida para amolar, lijar, trabajar con cepillos de alambre y tronzar. Observe todas las indicaciones de seguridad, instrucciones, ilustraciones y especificaciones técnicas que se suministran con la herramienta eléctrica. El incumplimiento de las siguientes indicaciones puede provocar descargas eléctricas, incendios y/o lesiones graves.

b) Esta herramienta eléctrica no es adecuada para pulir. El uso de la herramienta para un fin no previsto puede conllevar riesgos y causar heridas.

c) No emplee accesorios diferentes de aquellos que el fabricante haya previsto o recomendado especialmente para esta herramienta eléctrica. El mero hecho de que sea acoplable un accesorio a su herramienta eléctrica no implica que su utilización resulte segura.

d) Las revoluciones admisibles del útil deberán ser como mínimo iguales a las revoluciones máximas indicadas en la herramienta eléctrica. Aquellos accesorios que giren a unas revoluciones mayores a las admisibles pueden llegar a romperse y salir despedidos.

e) El diámetro exterior y el grosor del útil deberán corresponder con las medidas indicadas para su herramienta eléctrica. Los útiles de dimensiones incorrectas no pueden protegerse ni controlarse con suficiente seguridad.

f) Los orificios de los discos amoladores, bridas, platos lijadores u otros útiles deberán alojar exactamente sobre el husillo de su herramienta eléctrica. Los útiles

que no ajusten correctamente sobre el husillo de la herramienta eléctrica, al girar descentrados, generan unas vibraciones excesivas y pueden hacerle perder el control sobre el aparato.

g) No use útiles dañados. Antes de cada uso inspeccione el estado de los útiles con el fin de detectar, p. ej., si están desportillados o fisurados los útiles de amolar, si está agrietado o muy desgastado el plato lijador, o si las púas de los cepillos de alambre están flojas o rotas. Si se cae la herramienta eléctrica o el útil, inspeccione si han sufrido algún daño o monte otro útil en correctas condiciones. Una vez controlado y montado el útil sitúese Vd. y las personas circundantes fuera del plano de rotación del útil y deje funcionar la herramienta eléctrica en vacío, a las revoluciones máximas, durante un minuto. Por lo regular, aquellos útiles que estén dañados suelen romperse al realizar esta comprobación.

h) Utilice un equipo de protección personal. Dependiendo del trabajo a realizar use una careta, una protección para los ojos, o unas gafas de protección. Si procede, emplee una mascarilla antipolvo, protectores auditivos, guantes de protección o un mandil especial adecuado para protegerle de los pequeños fragmentos que pudieran salir proyectados al desprenderse del útil o pieza. Las gafas de protección deberán ser indicadas para protegerle de los fragmentos que pudieran salir despedidos al trabajar. La mascarilla antipolvo o respiratoria deberá ser apta para filtrar las partículas producidas al trabajar. La exposición prolongada al ruido puede provocar sordera.

i) Cuide que las personas en las inmediaciones se mantengan a suficiente distancia de la zona de trabajo. Toda persona que acceda a la zona de trabajo deberá utilizar un equipo de protección personal. Podrían ser lesionadas, incluso fuera del área de trabajo inmediato, al salir proyectados fragmentos de la pieza de trabajo o del útil.

j) Únicamente sujete el aparato por las empuñaduras aisladas al realizar trabajos en los que el útil pueda tocar conductores eléctricos ocultos o el propio cable del aparato. El contacto con conductores portadores de tensión puede hacer que las partes metálicas del aparato le provoquen una descarga eléctrica.

k) Mantenga el cable de red alejado del útil en funcionamiento. En caso de que Vd. pierda el control sobre la herramienta eléctrica puede llegar a cortarse o enredarse el cable de red con el útil y lesionarle su mano o brazo.

l) Jamás deposite la herramienta eléctrica antes de que el útil se haya detenido por completo. El útil en funcionamiento puede llegar a tocar la base de apoyo y hacerle perder el control sobre la herramienta eléctrica.

m) No deje funcionar la herramienta eléctrica mientras la transporta. El útil en funcionamiento podría lesionarle al engancharse accidentalmente con su vestimenta.

n) Limpie periódicamente las rejillas de refrigeración de su herramienta eléctrica. El ventilador del motor aspira polvo hacia el interior de la carcasa, por lo que, en caso de una acumulación fuerte de polvo metálico, ello puede provocar una descarga eléctrica.

o) No utilice la herramienta eléctrica cerca de materiales combustibles. Las chispas producidas al trabajar pueden llegar a incendiar estos materiales.

p) No emplee útiles que requieran ser refrigerados con líquidos. La aplicación de agua u otros refrigerantes líquidos puede comportar una descarga eléctrica.

Causas del rechazo y advertencias al respecto

El rechazo es una reacción brusca que se produce al atascarse o engancharse el útil, como un disco de amolar, plato lijador, cepillo, etc. Al atascarse o engancharse el útil en funcionamiento, éste es frenado bruscamente. Ello puede hacerle perder el control sobre la herramienta

eléctrica y hacer que ésta salga impulsada en dirección opuesta al sentido de giro que tenía el útil.

En el caso, p. ej., de que un disco amolador se atasque o bloquee en la pieza de trabajo, puede suceder que el canto del útil que penetra en el material se enganche, provocando la rotura del útil o el rechazo del aparato. Según el sentido de giro y la posición del útil en el momento de bloquearse puede que éste resulte despedido hacia, o en sentido opuesto al usuario. En estos casos puede suceder que el útil incluso llegue a romperse.

El rechazo es ocasionado por la aplicación o manejo incorrecto de la herramienta eléctrica. Es posible evitarlo ateniéndose a las medidas preventivas que a continuación se detallan.

a) Sujete con firmeza la herramienta eléctrica y mantenga su cuerpo y brazos en una posición propicia para resistir las fuerzas de reacción. Si forma parte del aparato, utilice siempre la empuñadura adicional para poder soportar mejor las fuerzas del rechazo, además de los pares de reacción que se presentan en la puesta en marcha. El usuario puede controlar las fuerzas del rechazo y de reacción si toma unas medidas preventivas oportunas.

b) Jamás aproxime su mano al útil en funcionamiento. En caso de un rechazo, el útil podría lesionarle la mano.

c) No se sitúe dentro del área hacia el que se moverá la herramienta eléctrica al ser rechazada. Al resultar rechazada, la herramienta eléctrica saldrá despedida desde el punto de bloqueo en dirección opuesta al sentido de giro del útil.

d) Tenga especial precaución al trabajar esquinas, cantos afilados, etc. Evite que el útil de amolar rebote contra la pieza de trabajo o que se atasque. En las esquinas, cantos afilados, o al rebotar, el útil en funcionamiento tiende a atascarse. Ello puede hacerle perder el control o causar un rechazo del útil.

e) No utilice hojas de sierra para madera ni otros útiles dentados. Estos útiles son propensos al rechazo y pueden hacerle perder el control sobre la herramienta eléctrica.

Instrucciones de seguridad específicas para operaciones de amolado y tronzado

a) Use exclusivamente útiles homologados para su herramienta eléctrica, en combinación con la caperuza protectora prevista para estos útiles. Los útiles que no fueron diseñados para su uso en esta herramienta eléctrica pueden quedar insuficientemente protegidos y suponen un riesgo.

b) Siempre emplee la caperuza protectora prevista para el útil que va a usar. La caperuza protectora deberá montarse firmemente en la herramienta eléctrica cuidando que quede orientada de manera que ofrezca una seguridad máxima, o sea, cubriendo al máximo la parte del útil a la que queda expuesta el usuario. La misión de la caperuza protectora es proteger al usuario de los fragmentos que puedan desprenderse del útil y del contacto accidental con éste.

c) Solamente emplee el útil para aquellos trabajos para los que fue concebido. Por ejemplo, no emplee las caras de los discos tronzadores para amolar. En los útiles de tronzar, el arranque de material se lleva a cabo con los bordes del disco. Si estos útiles son sometidos a un esfuerzo lateral, ello puede provocar su rotura.

d) Siempre use para el útil seleccionado una brida en perfecto estado con las dimensiones y forma correctas. Una brida adecuada soporta convenientemente el útil reduciendo así el peligro de rotura. Las bridas para discos tronzadores pueden ser diferentes de aquellas para otros discos de amolar.

e) No intente aprovechar los discos amoladores de otras herramientas eléctricas más grandes, aunque su diámetro exterior se haya reducido suficientemente por el desgaste. Los discos amoladores destinados para herramientas eléctricas grandes no son aptos para soportar

las velocidades periféricas más altas a las que trabajan las herramientas eléctricas más pequeñas, y pueden llegar a romperse.

Instrucciones de seguridad adicionales específicas para el tronzado

a) Evite que se bloquee el disco tronzador y una presión de aplicación excesiva. No intente realizar cortes demasiado profundos. Al solicitar en exceso el disco tronzador éste es más propenso a ladearse, bloquearse, a ser rechazado, o a romperse.

b) No se coloque delante o detrás del disco tronzador en funcionamiento, alineado con la trayectoria del corte. Mientras que al cortar, el disco tronzador es guiado en sentido opuesto a su cuerpo, en caso de un rechazo el disco tronzador y la herramienta eléctrica son impulsados directamente contra Vd.

c) Si el disco tronzador se bloquea, o si tuviese que interrumpir su trabajo, desconecte la herramienta eléctrica y manténgala en esa posición, sin moverla, hasta que el disco tronzador se haya detenido por completo. Jamás intente sacar el disco tronzador en marcha de la ranura de corte, ya que ello podría provocar un rechazo. Investigue y subsane la causa del bloqueo.

d) No intente proseguir el corte, estando insertado el disco tronzador en la ranura de corte. Una vez fuera de la ranura de corte, espere a que el disco tronzador haya alcanzado las revoluciones máximas, y prosiga entonces el corte con cautela. En caso contrario el disco tronzador podría bloquearse, salirse de la ranura de corte, o resultar rechazado.

e) Soporte las planchas u otras piezas de trabajo grandes para reducir el riesgo de bloqueo o rechazo del disco tronzador. Las piezas de trabajo grandes tienden a curvarse por su propio peso. La pieza de trabajo deberá apoyarse desde abajo a ambos lados tanto cerca de la línea de corte como en los bordes.

f) Proceda con especial cautela al realizar recortes “por inmersión” en paredes o superficies similares. El disco tronzador puede ser rechazado al tocar tuberías de gas o agua, conductores eléctricos, u otros objetos.

Instrucciones de seguridad específicas para trabajos con hojas lijadoras

a) No use hojas lijadoras más grandes que el soporte, ateniéndose para ello a las dimensiones que el fabricante recomienda. Las hojas lijadoras de un diámetro mayor que el plato lijador pueden provocar un accidente, fisurarse, o provocar un rechazo.

Instrucciones de seguridad específicas para el trabajo con cepillos de alambre

a) Considere que las púas de los cepillos de alambre pueden desprenderse también durante un uso normal. No fuerce las púas ejerciendo una fuerza de aplicación excesiva. Las púas desprendidas pueden traspasar muy fácilmente tela delgada y/o la piel.

b) En caso de recomendarse el uso de una caperuza protectora, evite que el cepillo de alambre alcance a rozar contra la caperuza protectora. Los cepillos de plato y de vaso pueden aumentar su diámetro por efecto de la presión de aplicación y de la fuerza centrífuga.

Las muelas con centro rebajado deberán montarse de tal manera que su superficie de amolado se encuentre al menos 2 mm por debajo de la superficie plana del borde de la cubierta protectora.

Conecte siempre la máquina a una red protegida por interruptor diferencial y magnetotérmico (FI, RCD, PRCD), para su seguridad personal, según normas establecidas para instalaciones eléctricas de baja tensión.

Nunca se debe intentar limpiar el polvo o viruta procedente del taladrado con la máquina en funcionamiento.

Enchufar la máquina a la red solamente en posición desconectada.

No manipular en el rodillo ni en las cuchillas con la máquina conectada.

Emplear siempre el asidero adicional.

Desconectar inmediatamente el aparato al presentarse vibraciones fuertes u otras anomalías. Examine la máquina para determinar las posibles causas.

Utilice y guarde siempre los discos de amolar según las indicaciones del fabricante.

Al amolar metales se proyectan chispas. Cuidar de no poner en peligro a personas. Debido al peligro de incendio no deben encontrarse cerca (en el área de alcance de las chispas) materiales inflamables. No utilice extracción de polvo en este caso.

Tenga cuidado para que no le salten chispas ni virutas de la pieza de trabajo.

¡Cuando corte piedra deberá usar el patín de guía!

La fuerza de apriete se debe asegurar antes de comenzar a trabajar con la máquina.

La pieza de trabajo debe fijarse adecuadamente, a no ser que se mantenga bien fija por su propio peso. Jamás aproxime una pieza al disco, sujetándola con la mano.

En caso de condiciones de funcionamiento extremas (p. ej. pulido de metales con el plato soporte y discos abrasivos de fibra vulcanizada) se puede acumular mucha suciedad en el interior de la amoladora angular. En estas condiciones es necesario realizar, por motivos de seguridad, una limpieza profunda de las acumulaciones metálicas en el interior y debe conectarse obligatoriamente un interruptor de protección de corriente diferencial (FI). Si salta el interruptor de protección FI debe enviarse la máquina para su reparación.

En las herramientas que llevan una muela con agujero roscado, cerciórese de que la rosca en la muela es lo suficientemente larga para aceptar la longitud del vástago.

Para trabajos de tronzado, utilizar la cubierta protectora cerrada del programa de accesorios.

APLICACIÓN DE ACUERDO A LA FINALIDAD

La amoladora puede utilizarse para separar y desbastar muchos materiales, como p. ej. metal y piedra, así como para rectificar con el plato de rectificado de plástico y para trabajar con el cepillo de alambre de acero. En caso de dudas, observar las indicaciones de los fabricantes de los accesorios.

No utilice este producto para ninguna otra aplicación que no sea su uso normal.

DECLARACION DE CONFORMIDAD CE

Declaramos bajo nuestra responsabilidad que el producto descrito bajo "Datos técnicos" está en conformidad con todas las normas relevantes de la directiva 2011/65/EU (RoHS), 2004/108/CE, 2006/42/CE y con las siguientes normas o documentos normalizados:

EN 60745-1:2009+A11:2010
EN 60745-2-3:2011
EN 55014-1:2006+A1:2009+A2:2011
EN 55014-2:1997+A1:2001+A2:2008
EN 61000-3-2:2006+A1:2009+A2:2009
EN 61000-3-3:2008



Winnenden, 2013-08-26

Alexander Krug

Alexander Krug
Managing Director

Autorizado para la redacción de los documentos técnicos.

Techtronic Industries GmbH
Max-Eyth-Straße 10
71364 Winnenden

CONEXIÓN ELÉCTRICA

Conectar solamente a corriente AC monofásica y sólo al voltaje indicado en la placa de características. También es posible la conexión a enchufes sin toma a tierra, dado que es conforme a la Clase de Seguridad II

ACOPLAMIENTO DE SEGURIDAD

En caso de que la herramienta se enganche o bloquee repentinamente, el acoplamiento de seguridad separa el husillo de trabajo del motor. La herramienta se detiene y de esta forma protege al operario frente al contragolpe. Tras el desbloqueo, la herramienta vuelve a alcanzar lentamente el número de revoluciones de trabajo y se puede reanudar la tarea. Independientemente de ello, deben cumplirse las instrucciones de seguridad.

PROTECCIÓN CONTRA EL REARRANQUE

Las máquinas con interruptor de bloqueo están equipadas con un dispositivo de protección contra el re arranque. Éste evita que la máquina se encienda de nuevo después de un corte de corriente. Para volver a usarla, desconectar y volver a conectar la máquina.

LIMITACIÓN DE LA CORRIENTE DE ARRANQUE

La corriente de conexión de la máquina es igual a un múltiplo de la corriente nominal. Mediante la limitación de la corriente de arranque la corriente de conexión se reduce hasta tal punto que los fusibles (16 A, lentos) no llegan a actuar.

MANTENIMIENTO

Si la línea de conexión de la herramienta eléctrica estuviera dañada, deberá reemplazarse la misma por una línea de alimentación preparada especialmente, la cual puede adquirirse a través de la organización de servicio al cliente. Las ranuras de ventilación de la máquina deben estar despejadas en todo momento.

Solo se deben utilizar accesorios y piezas de repuestos Milwaukee. Piezas cuyo recambio no está descrito en las instrucciones de uso, deben sustituirse en un centro de asistencia técnica Milwaukee (Consulte el folleto Garantía/ Direcciones de Centros de Asistencia Técnica).

Puede solicitar, en caso necesario, una vista despiezada del aparato bajo indicación del tipo de máquina y el número de seis dígitos en la placa indicadora de potencia en su Servicio de Postventa o directamente en Techtronic Industries GmbH, Max-Eyth-Straße 10, 71364 Winnenden, Germany.

SÍMBOLOS



Lea las instrucciones detenidamente antes de conectar la herramienta



Para trabajar con la máquina, utilizar siempre gafas de protección.



Desconecte siempre el enchufe antes de llevar a cabo cualquier trabajo en la máquina.



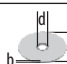


Accesorio - No incluido en el equipo estándar, disponible en la gama de accesorios.



¡No deseche los aparatos eléctricos junto con los residuos domésticos! De conformidad con la Directiva Europea 2002/96/CE sobre residuos de aparatos eléctricos y electrónicos y su aplicación de acuerdo con la legislación nacional, las herramientas eléctricas cuya vida útil haya llegado a su fin se deberán recoger por separado y trasladar a una planta de reciclaje que cumpla con las exigencias ecológicas.



Herramienta eléctrica de la clase de protección II.
Herramientas eléctricas, en las que la protección contra un choque eléctrico no depende solamente del aislamiento básico sino también de la aplicación de medidas adicionales de protección, como doble aislamiento o aislamiento reforzado. No existe dispositivo para la conexión de un conductor protector.

CARACTERÍSTICAS TÉCNICAS	AGVM 24-230 GEX	AGVM 26-230 GEX
Rebarbadora Angular		
Número de produção	4026 50 01... 4026 61 01... ...000001-999999	4026 67 01... 4026 55 01... ...000001-999999
Potência absorvida nominal	2400 W	2600 W
Número de rotações nominal	6600 min ⁻¹	6600 min ⁻¹
 D=Diâmetro do disco máx. b=Espessura do rebolo de lixa máx. d=Ø do orifício	D= max 230 mm b= max 6 mm (1/4") d= 22,2 mm	D= max 230 mm b= max 6 mm (1/4") d= 22,2 mm
 D=Diâmetro da superfície de lixa máx.	D= max 230 mm	D= max 230 mm
 D=Diâmetro da superfície da escova tipo copo máx.	D= max 100 mm	D= max 100 mm
Rosca do veio de trabalho	M14	M14
Peso nos termos do procedimento-EPTA 01/2003	5,8 kg	5,8 kg
Informações sobre ruído/vibração Valores de medida de acordo com EN 60 745. O nível de ruído avaliado A do aparelho é tipicamente: Nível da pressão de ruído (K=3dB(A)) Nível da potência de ruído (K=3dB(A)) Use protectores auriculares!	93 dB(A) 104 dB(A)	93 dB(A) 104 dB(A)
Valores totais de vibração (soma dos vectores das três direcções) determinadas conforme EN 60745. Rebarbagem: Valor de emissão de vibração ah Incerteza K Lixar Valor de emissão de vibração ah Incerteza K	2,5 m/s ² 1,5 m/s ² 2,5 m/s ² 1,5 m/s ²	2,5 m/s ² 1,5 m/s ² 2,5 m/s ² 1,5 m/s ²
Em caso de outras aplicações, como p.ex. separar por rectificação ou lixar com escova de arame, podem resultar outros valores de vibração!		

ATENÇÃO

O nível vibratório indicado nestas instruções foi medido em conformidade com um procedimento de medição normalizado na EN 60745 e pode ser utilizado para comparar entre si ferramentas eléctricas. O mesmo é também adequado para avaliar provisoriamente o esforço vibratório.

O nível vibratório indicado representa as principais aplicações da ferramenta eléctrica. Se, no entanto, a ferramenta eléctrica for utilizada para outras aplicações, com outras ferramentas adaptadas ou uma manutenção insuficiente, o nível vibratório poderá divergir. Isto pode aumentar consideravelmente o esforço vibratório ao longo de todo o período do trabalho.

Para uma avaliação exacta do esforço vibratório devem também ser considerados os tempos durante os quais o aparelho está desligado ou está a funcionar, mas não está efectivamente a ser utilizado. Isto pode reduzir consideravelmente o esforço vibratório ao longo de todo o período do trabalho.

Defina medidas de segurança suplementares para proteger o operador do efeito das vibrações, como por exemplo: manutenção da ferramenta eléctrica e das ferramentas adaptadas, manter as mãos quentes, organização das sequências de trabalho.

⚠ ATENÇÃO! Leia todas as instruções de segurança e todas as instruções, também aquelas que constam na brochura juntada. O desrespeito das advertências e instruções apresentadas abaixo pode causar choque eléctrico, incêndio e/ou graves lesões.
Guarde bem todas as advertências e instruções para futura referência.

INSTRUÇÕES DE SEGURANÇA PARA AFIADORAS ANGULARES

Instruções de segurança comuns para retificar, lixar, trabalhar com escovas metálicas e lixadeiras de detalhe

a) Esta ferramenta eléctrica deve ser usada como retificadora, lixadeira, escova metálica e lixadeira de detalhe. Observe todas as instruções de segurança, instruções, figuras e dados fornecidos com a ferramenta eléctrica. Se as instruções não forem observadas poderá ser causado um choque eléctrico, um incêndio e/ou feridas graves.

b) Esta ferramenta eléctrica não é adequada para polir. Utilizações, para as quais a máquina não tenha sido prevista, podem causar perigos e ferimentos.

c) Não utilizar acessórios, que não foram especialmente previstos e recomendados pelo fabricante para serem utilizados com esta ferramenta eléctrica. O facto de poder fixar o acessório a esta ferramenta eléctrica, não garante uma aplicação segura.

d) O número de rotação admissível da ferramenta de trabalho deve ser no mínimo tão alto quanto o máximo número de rotação indicado na ferramenta eléctrica. Acessórios que girem mais rápido do que permitido, podem quebrar e serem atirados para longe.

e) O diâmetro exterior e a espessura da ferramenta de trabalho devem corresponder às indicações de medida da sua ferramenta eléctrica. Ferramentas de trabalho incorrectamente medidas podem não ser suficientemente blindadas nem controladas.

f) Discos abrasivos, flanges, pratos abrasivos ou outros acessórios devem caber exactamente no veio de rectificação da sua ferramenta eléctrica. Ferramentas de trabalho, que não cabem exactamente no veio de rectificação da ferramenta eléctrica, giram irregularmente, vibram fortemente e podem levar à perda de controlo.

g) Não utilizar ferramentas de trabalho danificadas. Antes de cada utilização deverá controlar as ferramentas de trabalho, e verificar se por exemplo os discos abrasivos apresentam fissuras e estilhaços, se pratos abrasivos apresentam fissuras, se há desgaste ou forte atrição, se as escovas de arame apresentam arames soltos ou quebrados. Se a ferramenta eléctrica ou a ferramenta de trabalho caírem, deverá verificar se sofreram danos, ou trocar por uma ferramenta de trabalho intacta. Após ter controlado e introduzido a ferramenta de trabalho, deverá manter-se, e as pessoas que se encontrem nas proximidades, fora do nível de rotação da ferramenta de trabalho e permitir que a ferramenta eléctrica funcione durante um minuto com o máximo número de rotação. A maioria das ferramentas de trabalho danificadas quebram durante este período de teste.

h) Utilizar um equipamento de protecção pessoal. De acordo com a aplicação, deverá utilizar uma protecção para todo o rosto, protecção para os olhos ou um óculos protector. Se for necessário, deverá utilizar uma máscara contra pó, protecção auricular, luvas de protecção ou um avental especial, para proteger-se de pequenas partículas de amoladura e de material. Os olhos devem ser protegidos contra partículas a voar, produzidas durante as diversas aplicações. A máscara contra pó ou a máscara de respiração deve ser capaz de filtrar o pó produzido durante a respectiva aplicação. Se for sujeito durante longo tempo a fortes ruídos, poderá sofrer a perda da capacidade auditiva.

i) Observe que as outras pessoas mantenham uma distância segura em relação ao seu local de trabalho. Cada pessoa que entrar na área de trabalho, deverá usar um equipamento de protecção pessoal. Estilhaços da peça a ser trabalhada ou ferramentas de trabalho quebradas podem voar e causar lesões fora da área imediata de trabalho.

j) Ao executar trabalhos durante os quais possam ser atingidos cabos eléctricos ou o próprio cabo de rede, deverá sempre segurar a ferramenta eléctrica pelas superfícies isoladas do punho. O contacto com um cabo sob tensão pode colocar peças de metal da ferramenta eléctrica sob tensão e levar a um choque eléctrico.

k) Manter o cabo de rede afastado de ferramentas de trabalho em rotação. Se perder o controlo sobre a ferramenta eléctrica, é possível que o cabo de rede seja cortado ou enganchado e a sua mão ou braço sejam puxados contra a ferramenta de trabalho em rotação.

l) Jamais depositar a ferramenta eléctrica, antes que a ferramenta de trabalho esteja completamente parada. A ferramenta de trabalho em rotação pode entrar em contacto com a superfície de apoio, provocando uma perda de controlo da ferramenta eléctrica.

m) Não permitir que a ferramenta eléctrica funcione enquanto estiver a transportá-la. A sua roupa pode ser agarrada devido a um contacto accidental com a ferramenta de trabalho em rotação, de modo que a ferramenta de trabalho possa ferir o seu corpo.

n) Limpar regularmente as aberturas de ventilação da sua ferramenta eléctrica. A ventoinha do motor puxa pó para dentro da carcaça, e uma grande quantidade de pó de metal pode causar perigos eléctricos.

o) Não utilizar a ferramenta eléctrica perto de materiais inflamáveis. Faiscas podem incendiar estes materiais.

p) Não utilizar ferramentas de trabalho que necessitem agentes de refrigeração líquidos. A utilização de água ou de outros agentes de refrigeração líquidos pode provocar um choque eléctrico.

Contra-golpe e respectivas advertências

Contra-golpe é uma repentina reacção devido a uma ferramenta de trabalho travada ou bloqueada, como por exemplo um disco abrasivo, um prato abrasivo, uma escova de arame etc. Um travamento ou um bloqueio levam a uma

parada abrupta da ferramenta de trabalho em rotação. Desta maneira, uma ferramenta eléctrica descontrolada pode ser acelerada no local de bloqueio, sendo forçada no sentido contrário da rotação da ferramenta de trabalho. Se por exemplo um disco abrasivo travar ou bloquear numa peça a ser trabalhada, o canto do disco abrasivo pode mergulhar na peça a ser trabalhada e encravar-se, quebrando o disco abrasivo ou causando um contra-golpe. O disco abrasivo se movimentar no sentido do operador ou para longe deste, dependendo do sentido de rotação do disco no local do bloqueio. Sob estas condições os discos abrasivos também podem partir-se. Um contra-golpe é a consequência de uma utilização incorrecta ou indevida da ferramenta eléctrica. Ele pode ser evitado por apropriadas medidas de precaução como descrito a seguir.

a) Segurar firmemente a ferramenta eléctrica e posicionar o seu corpo e os braços de modo que possa resistir às forças de um contra-golpe. Sempre utilizar o punho adicional, se existente, para assegurar o máximo controlo possível sobre as forças de um contra-golpe ou sobre momentos de reacção durante o arranque. O operador pode controlar as forças de contra-golpe e as forças de reacção através de medidas de precaução apropriadas.

b) Jamais permita que as suas mãos se encontrem perto de ferramentas de trabalho em rotação. No caso de um contra-golpe a ferramenta de trabalho poderá passar pela sua mão.

c) Evite que o seu corpo se encontre na área, na qual a ferramenta eléctrica possa ser movimentada no caso de um contra-golpe. O contra-golpe força a ferramenta eléctrica no sentido contrário ao movimento do disco abrasivo no local do bloqueio.

d) Trabalhar com especial cuidado na área ao redor de esquinas, cantos afiados etc. Evite que ferramentas de trabalho sejam ricocheteadas e travadas pela peça a ser trabalhada. A ferramenta de trabalho em rotação tende a travar em esquinas, em cantos afiados ou se for ricocheteada. Isto causa uma perda de controlo ou um contra-golpe.

e) Não utilizar lâminas de serra de correias nem dentadas. Estas ferramentas de trabalho causam frequentemente um contra-golpe ou a perda de controlo sobre a ferramenta eléctrica.

Instruções especiais de segurança específicas para lixar e separar por rectificação

a) Utilizar exclusivamente os corpos abrasivos homologados para a sua ferramenta eléctrica e a capa de protecção prevista para estes corpos abrasivos. Corpos abrasivos não previstos para a ferramenta eléctrica, não podem ser suficientemente protegidos e portanto não são seguros.

b) Sempre utilizar a capa de protecção, prevista para o tipo de corpo abrasivo utilizado. A capa de protecção deve ser firmemente aplicada na ferramenta eléctrica e fixa, de modo que seja alcançado um máximo de segurança, ou seja, que apenas uma mínima parte do corpo abrasivo aponte abertamente na direcção do operador. A capa de protecção deve proteger o operador contra estilhaços e contra um contacto accidental com o corpo abrasivo.

c) Os corpos abrasivos só devem ser utilizados para as aplicações recomendadas. P. ex.: Jamais lixar com a superfície lateral de um disco de corte. Disco de corte são destinados para o desbaste de material com o canto do disco. Uma força lateral sobre estes corpos abrasivos pode quebrá-los.

d) Sempre utilizar flanges de aperto intactos de tamanho e forma correctos para o disco abrasivo seleccionado. Flanges apropriados apoiam o disco abrasivo e reduzem assim o perigo de uma ruptura do disco

abrasivo. Flanges para discos de corte podem diferenciar-se de flanges para outros discos abrasivos.

e) Não utilizar discos abrasivos gastos de outras ferramentas eléctricas maiores. Discos abrasivos para ferramentas eléctricas maiores não são apropriados para os números de rotação mais altos de ferramentas eléctricas menores e podem quebrar.

Outras advertências especiais de segurança para separar por rectificação

a) Evitar um bloqueio do disco de corte ou uma força de pressão demasiado alta. Não efectuar cortes extremamente profundos. Uma sobrecarga do disco de corte aumenta o desgaste e a predisposição para emperrar e bloquear e portanto a possibilidade de um contra-golpe ou uma ruptura do corpo abrasivo.

b) Evitar a área que se encontra na frente ou atrás do disco de corte em rotação. Se o disco de corte for conduzido na peça a ser trabalhada, para frente, afastando-se do corpo, é possível que no caso de um contra-golpe a ferramenta eléctrica, junto com o disco em rotação, seja atirada directamente na direcção da pessoa a operar o aparelho.

c) Se o disco de corte emperrar ou se o trabalho for interrompido, deverá desligar a ferramenta eléctrica e mantê-la parada, até o disco parar completamente. Jamais tentar puxar o disco de corte para fora do corte enquanto ainda estiver em rotação, caso contrário poderá ser provocado um contra-golpe. Verificar e eliminar a causa do emperramento.

d) Não ligar novamente a ferramenta eléctrica, enquanto ainda estiver na peça a ser trabalhada. Permita que o disco de corte alcance o seu completo número de rotação, antes de continuar cuidadosamente a cortar. Caso contrário é possível que o disco emperre, pule para fora da peça a ser trabalhada ou cause um contra-golpe.

e) Apoiar placas ou peças grandes, para reduzir um risco de contra-golpe devido a um disco de corte emperrado. Peças grandes podem curvar-se devido ao próprio peso. A peça a ser trabalhada deve ser apoiada de ambos os lados, tanto nas proximidades do corte como também nos cantos.

f) Tenha o cuidado ao efectuar “Cortes de bolso” em paredes existentes ou em outras superfícies, onde não é possível reconhecer o que há por detrás. O disco de corte pode causar um contra-golpe se cortar acidentalmente tubulações de gás ou de água, cabos eléctricos ou outros objectos.

Advertências especiais de segurança específicas para lixar com lixa de papel

a) Não utilizar lixas de papel demasiado grandes, mas sempre seguir as indicações do fabricante sobre o tamanho correcto das lixas de papel. Lixas de papel, que sobressaem dos cantos do prato abrasivo, podem causar lesões, assim como bloquear e rasgar as lixas de papel ou levar a um contra-golpe.

Advertências especiais de segurança específicas para trabalhar com escovas de arame

a) Esteja ciente de que a escova de arame também perde pedaços de arame durante a utilização normal. Não sobrecarregue os arames exercendo uma força de pressão demasiada. Pedacos de arame a voar, podem penetrar facilmente em roupas finas e/ou na pele.

b) Se for recomendável uma capa de protecção, deverá evitar que a escova de arame entre em contacto com a capa de protecção. O diâmetro das escovas em forma de prato ou de tacho pode aumentar devido à força de pressão e às forças centrífugas.

Discos abrasivos dobrados devem ser montados, de forma que a sua superfície abrasiva termine pelo menos 2 mm abaixo do nível da margem da tampa de protecção. Aparelhos não estacionários, utilizados ao ar livre, devem ser protegidos por um disjuntor de corrente de defeito (FI, RCD, PRCD).

Não remover aparas ou lascas enquanto a máquina trabalha.

Ao ligar à rede, a máquina deve estar desligada.

Não introduza as mãos na área perigosa, estando a máquina em funcionamento.

Utilizar sempre o punho lateral.

Desligar imediatamente o aparelho, se ocorrerem grandes oscilações ou se forem observadas outras avarias. Controlar a máquina para determinar a causa.

Sempre utilizar e guardar os discos abrasivos, de acordo com as indicações do fabricante.

Ao lixar metais, voam faíscas. Observe que ninguém seja posto em perigo. Devido ao perigo de incêndio não devem encontrar-se materiais inflamáveis nas proximidades (área de voo de faíscas). Não utilize sistema de extração de poeiras.

Tome atenção que nem as faíscas nem as poeiras da lixagem geradas na peça de trabalho devem entrar em contacto consigo.

Quando estiver a desmontar pedra deve usar a guia.

A porca de ajuste deve ser apertada antes de iniciar o trabalho com a máquina.

A peça a ser trabalhada deve ser fixa, caso não esteja firme devido ao seu peso próprio. Jamais conduzir a peça a ser trabalhada em direcção do disco com as mãos.

Em caso de condições extremas de utilização (por ex., ao polir metais com o prato de apoio e rebolos de fibra vulcanizada) pode formar-se uma forte sujidade no interior da lixadora de detalhes. Por motivos de segurança, quando tais condições de utilização se verificarem, é necessário limpar o interior de depósitos metálicos e ligar em série um disjuntor de corrente de falha (FI). Depois da reacção do disjuntor-FI, a máquina tem de ser enviada para reparação.

Para as ferramentas a serem montadas com a roda de orifício roscado, certifique-se de que a rosca na roda é suficientemente longa para receber o fuso em todo o seu comprimento.

Para trabalhos de corte deve utilizar-se uma cobertura de protecção fechada, disponível no programa de acessórios.

Observar as instruções de segurança na folha!

UTILIZAÇÃO AUTORIZADA

A afiadora angular pode ser utilizada para a rectificação de corte e desbaste de diversos materiais, como por ex. metal ou pedra, bem como para o desbaste com discos de desbaste em plástico e para trabalhos com a escova de fio de aço. Em caso de dúvida, observe as indicações do fabricante dos acessórios.

Não use este produto de outra maneira sem ser a normal para o qual foi concebido.

DECLARAÇÃO DE CONFORMIDADE CE

Declaramos sob responsabilidade exclusiva, que o produto descrito sob "Dados técnicos" corresponde com todas as disposições relevantes da diretiva 2011/65/EU (RoHS), 2004/108/CE, 2006/42/CE e dos seguintes documentos normativos harmonizados.

EN 60745-1:2009+A11:2010
EN 60745-2-3:2011
EN 55014-1:2006+A1:2009+A2:2011
EN 55014-2:1997+A1:2001+A2:2008
EN 61000-3-2:2006+A1:2009+A2:2009
EN 61000-3-3:2008



Winnenden, 2013-08-26

Alexander Krug

Alexander Krug
Managing Director

Autorizado a reunir a documentação técnica.

Techtronic Industries GmbH
Max-Eyth-Straße 10
71364 Winnenden

LIGAÇÃO À REDE

Só conectar à corrente alternada monofásica e só à tensão de rede indicada na placa de potência. A conexão às tomadas de rede sem contacto de segurança também é possível, pois trata-se duma construção da classe de protecção II.

EMBREAGEM DE SEGURANÇA

No caso de a ferramenta em utilização ficar presa ou subitamente bloqueada, a embreagem de segurança separa o fuso do motor. A ferramenta permanece parada e protege, assim, o utilizador do contragolpe. Após o alívio da carga, a ferramenta volta a funcionar lentamente, em velocidade de rotação, e pode-se retomar o trabalho. Independentemente disso, devem ser cumpridas as instruções de segurança descritas.

PROTECÇÃO DE REINÍCIO

As máquinas que dispõem de disjuntor que pode ser trancado estão equipadas com uma protecção de reinício. Este dispositivo impede um reinício das máquinas após uma falha de energia eléctrica. No caso de se desejar reiniciar o trabalho, desligar a máquina e voltar a ligá-la.

LIMITAÇÃO DA CORRENTE DE ARRANQUE

A corrente de arranque da máquina é um múltiplo da corrente nominal. A limitação de corrente de arranque reduz a corrente de arranque a um valor tal que não faz actuar o fusível (16 A lento).

MANUTENÇÃO

Se o condutor de alimentação da ferramenta eléctrica estiver danificado, ele deverá ser substituído por um condutor de alimentação especial que se vende na organização da assistência ao cliente.

Através dos rasgos de ventilação podem soprar-se com ar comprimido os depósitos de poeira no motor.

Utilizar unicamente acessórios e peças sobresselentes da Milwaukee. Sempre que a substituição de um componente não tenha sido descrita nas instruções, será de toda a conveniência mandar executar esse trabalho a um Serviço de Assistência Milwaukee (veja o folheto Garantia/Endereços de Serviços de Assistência).

Se for necessário, um desenho de explosão do aparelho pode ser solicitado do seu posto de assistência ao cliente ou directamente da Techtronic Industries GmbH, Max-Eyth-Straße 10, 71364 Winnenden, Alemanha, indicando o tipo da máquina e o número de seis posições na chapa indicadora da potência.

SYMBOLE



Leia atentamente o manual de instruções antes de colocar a máquina em funcionamento.



Usar sempre óculos de protecção ao trabalhar com a máquina.



Antes de efectuar qualquer intervenção na máquina, tirar a ficha da tomada.



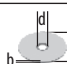


Acessório - Não incluído no equipamento normal, disponível como acessório.



Não deite ferramentas eléctricas no lixo doméstico! De acordo com a directiva europeia 2002/96/CE sobre ferramentas eléctricas e electrónicas usadas e a transposição para as leis nacionais, as ferramentas eléctricas usadas devem ser recolhidas em separado e encaminhadas a uma instalação de reciclagem dos materiais ecológica.



Ferramenta eléctrica da classe de protecção II. Ferramenta eléctrica, na qual a protecção contra choque eléctrico não só depende do isolamento básico, mas também da aplicação de medidas de protecção suplementares, como isolamento duplo ou reforçado. Não há um dispositivo para a conexão dum condutor de protecção.

TECHNISCHE GEGEVENS	AGVM 24-230 GEX	AGVM 26-230 GEX
Haakse slijpmachine Productienummer	4026 50 01... 4026 61 01... ...000001-999999	4026 67 01... 4026 55 01... ...000001-999999
Nominaal afgegeven vermogen	2400 W	2600 W
Nominaal toerental	6600 min ⁻¹	6600 min ⁻¹
 D=Slijpschijf-ø max. b=Slijpschijfdikte max. d=Asgat-ø	D= max 230 mm b= max 6 mm (1/4") d= 22,2 mm	D= max 230 mm b= max 6 mm (1/4") d= 22,2 mm
 D=Schuuroppervlak-ø max.	D= max 230 mm	D= max 230 mm
 D=Komborstel-ø max.	D= max 100 mm	D= max 100 mm
Asaansluiting	M14	M14
Gewicht volgens de EPTA-procedure 01/2003	5,8 kg	5,8 kg
Geluids-/trillingsinformatie Meetwaarden vastgesteld volgens EN 60 745. Het kenmerkende A-gewogen geluidsniveau van de machine bedraagt: Geluidsdrukkniveau (K=3dB(A)) Geluidsvermogeniveau (K=3dB(A)) Draag oorbeschermers!	93 dB(A) 104 dB(A)	93 dB(A) 104 dB(A)
Totale trillingswaarden (vectorsom van drie richtingen) bepaald volgens EN 60745. Voorbewerken: Trillingsemisiewaarde ah Onzekerheid K Schuren Trillingsemisiewaarde ah Onzekerheid K Bij andere toepassingen zoals bijv. doorslijpen of schuren met de staalborstel, kunnen andere trilwaarden ontstaan!	2,5 m/s ² 1,5 m/s ² < 2,5 m/s ² 1,5 m/s ²	2,5 m/s ² 1,5 m/s ² < 2,5 m/s ² 1,5 m/s ²

WAARSCHUWING

De in deze aanwijzingen vermelde trillingsdruk is gemeten volgens een in EN 60745 genormeerde meetmethode en kan worden gebruikt voor de onderlinge vergelijking van apparaten. Hij is ook geschikt voor een voorlopige inschatting van de trillingsbelasting.

De aangegeven trillingsdruk geldt voor de meest gebruikelijke toepassingen van het elektrische apparaat. Wanneer het elektrische gereedschap echter voor andere doeleinden, met andere dan de voorgeschreven hulpstukken gebruikt of niet naar behoren onderhouden wordt, kan de trillingsdruk afwijken. Dit kan de waarde van de trillingsdruk over de hele werkperiode aanzienlijk verhogen.

Voor een nauwkeurige inschatting van de trillingsdruk moeten ook de tijden in aanmerking worden genomen dat het apparaat uitgeschakeld is of weliswaar loopt, maar niet werkelijk in gebruik is. Dit kan de waarde van de trillingsdruk over de hele werkperiode aanzienlijk verminderen.

Bepaal extra veiligheidsmaatregelen ter bescherming van de bediener tegen de inwerking van trillingen, bijvoorbeeld: onderhoud van elektrische gereedschappen en apparaten, warmhouden van de handen, organisatie van de werkprocessen.

⚠ WAARSCHUWING! Lees alle veiligheidsinstructies en aanwijzingen door - ook die in de bijgeleverde brochure. Als de waarschuwingen en voorschriften niet worden opgevolgd, kan dit een elektrische schok, brand of ernstig letsel tot gevolg hebben.
Bewaar alle waarschuwingen en voorschriften voor toekomstig gebruik.

VEILIGHEIDSINSTRUCTIES VOOR HAAKSE SLIJPER

Algemene veiligheidsinstructies voor het schuren, schuren met schuurpapier, doorslijpen en voor werkzaamheden met draadborstels

a) Dit elektrische gereedschap kan worden gebruikt als slijpmachine, schuurmachine met schuurpapier, draadborstel en doorslijpmachine. Neem alle veiligheidsinstructies, aanwijzingen, afbeeldingen en gegevens in acht die samen met het elektrische gereedschap worden geleverd. Als u de volgende aanwijzingen negeert, bestaat gevaar voor elektrische schokken, brand en/of ernstig letsel.

b) Dit elektrische gereedschap is niet geschikt voor het polijsten. Ondoelmatig gebruik van dit elektrische gereedschap kan leiden tot gevaren en persoonlijk letsel.

c) Gebruik uitsluitend toebehoren dat door de fabrikant speciaal voor dit elektrische gereedschap is voorzien en geadviseerd. Het feit dat u het toebehoren aan het elektrische gereedschap kunt bevestigen, waarborgt nog geen veilig gebruik.

d) Het toegestane toerental van het inzetgereedschap moet minstens even hoog zijn als het maximale toerental dat op het elektrische gereedschap vermeld staat. Toebehoren dat sneller draait dan toegestaan, kan breken en wegvliegen.

e) De buitendiameter en de dikte van het inzetgereedschap moeten overeenkomen met de maatgegevens van het elektrische gereedschap. Inzetgereedschappen met onjuiste afmetingen kunnen niet voldoende afgeschermd of gecontroleerd worden.

f) Slijpschijven, flenzen, steunschijven en ander toebehoren moeten nauwkeurig op de uitgaande as van het elektrische gereedschap passen.

Inzetgereedschappen die niet nauwkeurig op de uitgaande as van het elektrische gereedschap passen, draaien ongelijkmatig, trillen sterk en kunnen tot het verlies van de controle leiden.

g) Gebruik geen beschadigde inzetgereedschappen. Controleer voor het gebruik altijd inzetgereedschappen zoals slijpschijven op afsplinteringen en scheuren, steunschijven op scheuren of sterke slijtage en draadborstels op losse of gebroken draden. Als het elektrische gereedschap of het inzetgereedschap valt, dient u te controleren of het beschadigd is, of gebruik een onbeschadigd inzetgereedschap. Als u het inzetgereedschap hebt gecontroleerd en ingezet, laat u het elektrische gereedschap een minuut lang met het maximale toerental lopen. Daarbij dient u en dienen andere personen uit de buurt van het ronddraaiende inzetgereedschap te blijven. Beschadigde inzetgereedschappen breken meestal gedurende deze testtijd.

h) Draag persoonlijke beschermende uitrusting. Gebruik afhankelijk van de toepassing een volledige gezichtsbescherming, oogbescherming of veiligheidsbril. Draag voor zover van toepassing een stofmasker, een gehoorbescherming, werkhandschoenen of een speciaal schort dat kleine slijp- en materiaaldeeltjes tegenhoudt. Uw ogen moeten worden beschermd tegen wegvliegende deeltjes die bij verschillende toepassingen ontstaan. Een stof- of adembeschermingsmasker moet het bij de toepassing ontstaande stof filteren. Als u lang wordt blootgesteld aan luid lawaai, kan uw gehoor worden beschadigd.

i) Let erop dat andere personen zich op een veilige afstand bevinden van de plaats waar u werkt. Iedereen die de werkomgeving betreedt, moet persoonlijke beschermende uitrusting dragen. Brokstukken van het werkstuk of gebroken inzetgereedschappen kunnen wegvliegen en verwondingen veroorzaken, ook buiten de directe werkomgeving.

j) Houd het elektrische gereedschap alleen vast aan de geïsoleerde greepvlakken als u werkzaamheden uitvoert waarbij het inzetgereedschap verborgen stroomleidingen of de eigen netkabel kan raken. Contact met een onder spanning staande leiding zet ook de metalen delen van het elektrische gereedschap onder spanning en leidt tot een elektrische schok.

k) Houd de stroomkabel uit de buurt van draaiende inzetgereedschappen. Als u de controle over het elektrische gereedschap verliest, kan de stroomkabel worden doorgesneden of meegenomen en uw hand of arm kan in het ronddraaiende inzetgereedschap terecht komen.

l) Leg het elektrische gereedschap nooit neer voordat het inzetgereedschap volledig tot stilstand is gekomen. Het draaiende inzetgereedschap kan in contact komen met het oppervlak, waardoor u de controle over het elektrische gereedschap kunt verliezen.

m) Laat het elektrische gereedschap niet lopen terwijl u het draagt. Uw kleding kan door toevallig contact met het draaiende inzetgereedschap worden meegenomen en het inzetgereedschap kan zich in uw lichaam boren.

n) Reinig regelmatig de ventilatieopeningen van het elektrische gereedschap. De motorventilator trekt stof in het huis en een sterke ophoping van metaalstof kan elektrische gevaren veroorzaken.

o) Gebruik het elektrische gereedschap niet in de buurt van brandbare materialen. Vonken kunnen deze materialen ontsteken.

p) Gebruik geen inzetgereedschappen waarvoor vloeibare koelmiddelen vereist zijn. Het gebruik van water of andere vloeibare koelmiddelen kan tot een elektrische schok leiden.

Terugslag en bijbehorende waarschuwingen

Terugslag is de plotselinge reactie als gevolg van een vasthakend of geblokkeerd draaiend inzetgereedschap,

zoals een slijpschijf, steunschijf, draadborstel, enz. Vasthaken of blokkeren leidt tot abrupte stilstand van het ronddraaiende inzetgereedschap. Daardoor wordt een ongecontroleerd elektrisch gereedschap tegen de draairichting van het inzetgereedschap versneld op de plaats van de blokkering.

Als bijvoorbeeld een slijpschijf in het werkstuk vasthaakt of blokkeert, kan de rand van de slijpschijf die in het werkstuk invalt, zich vastgrijpen. Daardoor kan de slijpschijf uitbreken of een terugslag veroorzaken. De slijpschijf beweegt zich vervolgens naar de bediener toe of van de bediener weg, afhankelijk van de draairichting van de schijf op de plaats van de blokkering. Hierbij kunnen slijpschijven ook breken. Een terugslag is het gevolg van het verkeerd gebruik of onjuiste gebruiksomstandigheden van het elektrische gereedschap. Terugslag kan worden voorkomen door geschikte voorzorgsmaatregelen, zoals hieronder beschreven.

a) Houd het elektrische gereedschap goed vast en breng uw lichaam en uw armen in een positie waarin u de terugslagkrachten kunt opvangen. Gebruik altijd de extra handgreep, indien aanwezig, om de grootste mogelijke controle te hebben over terugslagkrachten of reactiemomenten bij het op toeren komen. De bediener kan door geschikte voorzorgsmaatregelen de terugslag- en reactiekrachten beheersen.

b) Breng uw hand nooit in de buurt van draaiende inzetgereedschappen. Het inzetgereedschap kan bij de terugslag over uw hand bewegen.

c) Mijd met uw lichaam het gebied waarheen het elektrische gereedschap bij een terugslag wordt bewogen. De terugslag drijft het elektrische gereedschap in de richting die tegengesteld is aan de beweging van de slijpschijf op de plaats van de blokkering.

d) Werk bijzonder voorzichtig in de buurt van hoeken, scherpe randen, enz. Voorkom dat inzetgereedschappen van het werkstuk terugspringen en vastklemmen. Het ronddraaiende inzetgereedschap neigt er bij hoeken, scherpe randen of wanneer het terugspringt toe om zich vast te klemmen. Dit veroorzaakt een controleverlies of terugslag.

e) Gebruik geen kettingblad of getand zaagblad. Zulke inzetgereedschappen veroorzaken vaak een terugslag of het verlies van de controle over het elektrische gereedschap.

Bijzondere waarschuwingen voor slijp- en doorslijpwerkzaamheden

a) Gebruik uitsluitend het voor het elektrische gereedschap toegestane slijptoebehoren en de voor dit slijptoebehoren voorziene beschermkap. Slijptoebehoren dat niet voor het elektrische gereedschap is voorzien, kan niet voldoende worden afgeschermd en is niet veilig.

b) Gebruik altijd de beschermkap die voor het gebruikte soort slijpgereedschap is voorzien. De beschermkap moet stevig op het elektrische gereedschap zijn aangebracht en zodanig zijn ingesteld dat een maximum aan veiligheid wordt bereikt. Dat wil zeggen dat het kleinste mogelijke deel van het slijpgereedschap open naar de bediener wijst. De beschermkap moet de bediener beschermen tegen brokstukken en toevallig contact met het slijpgereedschap.

c) Slijptoebehoren mag alleen worden gebruikt voor de geadviseerde toepassingsmogelijkheden. Bijvoorbeeld: slijp nooit met het zijvlak van een doorslijpschijf. Doorslijpschijven zijn bestemd voor materiaalafname met de rand van de schijf. Een zijwaartse krachthinwerking op dit slijptoebehoren kan het toebehoren breken.

d) Gebruik altijd onbeschadigde spanflenzen in de juiste maat en vorm voor de door u gekozen slijpschijf. Geschikte flenzen steunen de slijpschijf en verminderen zo het gevaar van een slijpschijfbreuk. Flenzen voor doorslijpschijven kunnen verschillen van de flenzen voor andere slijpschijven.

e) Gebruik geen versleten slijpschijven van grotere elektrische gereedschappen. Slijpschijven voor grotere elektrische gereedschappen zijn niet geconstrueerd voor de hogere toerentallen van kleinere elektrische gereedschappen en kunnen breken.

Overige bijzondere waarschuwingen voor doorslijpwerkzaamheden

a) Voorkom blokkeren van de doorslijpschijf en te hoge aandrukkraft. Slijp niet overmatig diep. Een overbelasting van de doorslijpschijf vergroot de slijtage en de gevoeligheid voor kantelen of blokkeren en daardoor de mogelijkheid van een terugslag of breuk van het slijptoebehoren.

b) Mijd de omgeving voor en achter de ronddraaiende doorslijpschijf. Als u de doorslijpschijf in het werkstuk van u weg beweegt, kan in het geval van een terugslag het elektrische gereedschap met de draaiende schijf rechtstreeks naar u toe worden geslingerd.

c) Als de doorslijpschijf vastklemt of als u de werkzaamheden onderbreekt, schakelt u het elektrische gereedschap uit en houdt u het rustig tot de schijf tot stilstand is gekomen. Probeer nooit om de nog draaiende doorslijpschijf uit de groef te trekken. Anders kan een terugslag het gevolg zijn. Stel de oorzaak van het vastklemmen vast en maak deze ongedaan.

d) Schakel het elektrische gereedschap niet opnieuw in zolang het zich in het werkstuk bevindt. Laat de doorslijpschijf eerst het volledige toerental bereiken voordat u het doorslijpen voorzichtig voortzet. Anders kan de schijf vasthaken, uit het werkstuk springen of een terugslag veroorzaken.

e) Ondersteun platen of grote werkstukken om het risico van een terugslag door een ingeklemde doorslijpschijf te verminderen. Grote werkstukken kunnen onder hun eigen gewicht doorbuigen. Het werkstuk moet aan beide zijden worden ondersteund, vlakbij de slijpgrond en aan de rand.

f) Wees bijzonder voorzichtig bij invallend frezen in bestaande muren of andere plaatsen zonder voldoende zicht. De invallende doorslijpschijf kan bij het doorslijpen van gas- of waterleidingen, elektrische leidingen of andere objecten een terugslag veroorzaken.

Bijzondere waarschuwingen voor schuurwerkzaamheden

a) Gebruik geen schuurbladen met te grote afmetingen, maar houd u aan de voorschriften van de fabrikant voor de maten van schuurbladen. Schuurbladen die over de rand van de steunschijf uitsteken, kunnen verwondingen veroorzaken en kunnen tot blokkeren, scheuren van de schuurbladen of terugslag leiden.

Bijzondere waarschuwingen voor werkzaamheden met draadborstels

a) Houd er rekening mee dat de draadborstel ook tijdens het normale gebruik draadstukken verliest. Overbelast de draden niet door een te hoge aandrukkraft. Wegvliegende draadstukken kunnen gemakkelijk door dunne kleding en/of de huid dringen.

b) Als het gebruik van een beschermkap wordt geadviseerd, dient u te voorkomen dat beschermkap en draadborstel elkaar kunnen raken. Vlakstaal- en komstaalborstels kunnen door aandrukkraft en centrifugaalkrachten hun diameter vergroten.

Gebogen slijpschijven moeten zodanig worden gemonteerd dat het schuuroppervlak minimaal 2 mm onder de rand van de veiligheidskap eindigt.

Verplaatsbaar gereedschap moet bij het gebruik buiten aan een aardlekschakelaar (FI,RCD,PRCD) aangesloten worden.

Spanen of splinters mogen bij draaiende machine niet worden verwijderd.

Machine alleen uitgeschakeld aan het net aansluiten.

Niet aan de draaiende delen komen.

Altijd de zijhandgreep gebruiken.

Machine onmiddellijk controleren als sterke trillingen optreden of andere gebreken worden vastgesteld. Controleer de machine om de oorzaak vast te stellen.

Slijpschijven altijd volgens de voorschriften van de fabrikant gebruiken en bewaren.

Bij het schuren van metalen ontstaan vonken. Er op letten dat er geen personen in gevaar worden gebracht. In verband met het brandgevaar mogen zich geen brandbare materialen in de buurt (gebied waar de vonken vallen) bevinden. Geen stofafzuiging gebruiken

Machine altijd zo vasthouden dat vonken of slijpstof van het lichaam zijn af gericht.

Voor het doorslijpen van steen is de geleideslede voorschrift.

De flensmoer moet vóór de ingebruikname van de machine aangetrokken zijn.

Het te bewerken werkstuk moet vast worden ingespannen als het niet door het eigen gewicht stabiel ligt. Nooit het werkstuk met de hand tegen de schijf houden.

Bij extreme gebruiksvoorwaarden (bijv. gladlijpen van metaal met de steun en de vulkaanfiber-slijpschijven) kan in het inwendige van de haakse slijper ernstige verontreiniging ontstaan. Bij dergelijke werkzaamheden is om veiligheidsredenen een grondige reiniging van de binnenzijde (verwijdering van metaalslijpsel) en tevens de voorschakeling van een lekstroomschakelaar (FI) vereist. Na het aanspreken van de lekstroomschakelaar moet de machine ter reparatie worden opgestuurd.

Bij gebruik van gereedschappen die bedoeld zijn voor wielen met schroefgaten, dient men te controleren dat de schroefdraad in het wiel lang

Voor doorslijpwerkzaamheden gesloten beschermkap uit het toebehorenprogramma gebruiken.

VOORGESCHREVEN GEBRUIK VAN HET SYSTEEM

De haakse slijpmachine is geschikt voor het doorslijpen en voorbereiden van allerlei materialen, bijvoorbeeld metaal of steen, voor het slijpen met een kunststof slijpschijf en voor het werken met een staalborstel. Neem in twijfelgevallen de aanwijzingen van de toebehorenfabrikant in acht.

Dit apparaat uitsluitend gebruiken voor normaal gebruik, zoals aangegeven.

EC - VERKLARING VAN OVEREENSTEMMING

Wij verklaren in uitsluitende verantwoording dat het onder 'Technische gegevens' beschreven product overeenstemt met alle relevante voorschriften van de richtlijn 2011/65/EU (RoHS), 2004/108/EG, 2006/42/EG en de volgende geharmoniseerde normatieve documenten:



Winnenden, 2013-08-26

EN 60745-1:2009+A11:2010

EN 60745-2-3:2011

EN 55014-1:2006+A1:2009+A2:2011

EN 55014-2:1997+A1:2001+A2:2008

EN 61000-3-2:2006+A1:2009+A2:2009

EN 61000-3-3:2008

Alexander Krug
Managing Director

Gemachtigd voor samenstelling van de technische documenten

Techtronic Industries GmbH

Max-Eyth-Straße 10

71364 Winnenden

NETAANSLUITING

Uitsluitend op éénfase-wisselstroom en uitsluitend op de op het typeplaatje aangegeven netspanning aansluiten. Aansluiting is ook mogelijk op een stekerdoos zonder aardcontact mogelijk, omdat het is ontworpen volgens veiligheidsklasse II.

VEILIGHEIDSKOPPELING

Wanneer het gereedschap blijft haken of plotseling blokkeert, onderbreekt de veiligheidskoppeling de verbinding tussen slijpschijf en motor. Het gereedschap blijft staan en beschermt de gebruiker op deze wijze tegen terugslag. Na de ontlasting loopt het gereedschap weer langzaam aan tot op arbeidstoerental en kunt u doorwerken. Onafhankelijk daarvan moeten de beschreven veiligheidsaanwijzingen in acht worden genomen.

HERSTARTBEVEILIGING

Machines met vastzetbare schakelaar zijn uitgerust met een herstartbeveiliging. Deze voorkomt een herstart van de machine na een stroomuitval. Bij een hernieuwd begin van de werkzaamheden uitschakelen en weer inschakelen.

AANLOOP STROOMBEGRENZING

De inschakelstroomsterkte van de machine bedraagt een veelvoud van de nominale stroomsterkte. Door de aanloopstroombegrenzing wordt de inschakelstroomsterkte zo ver gereduceerd, dat een zekering (16 A traag) niet aanspreekt.

ONDERHOUD

Als de aansluitleiding van het elektrische gereedschap beschadigd is, moet deze worden vervangen door een speciaal voorbereide aansluitleiding die verkrijgbaar is via de klantenservice-organisatie.

Altijd de luchtspleten van de machine schoonhouden.

Alleen Milwaukee toebehoren en onderdelen gebruiken. Onderdelen welke niet vermeld worden, kunnen het beste door de Milwaukee servicedienst verwisseld worden (zie Serviceadressen).

Zo nodig kan een explosietekening van het apparaat worden aangevraagd bij uw klantenservice of direct bij Techtronic Industries GmbH, Max-Eyth-Straße 10, 71364 Winnenden, Duitsland onder vermelding van het machinetype en het zescijferige nummer op het typeplaatje.

SYMBOLEN



Graag instructies zorgvuldig doorlezen vóórdat u de machine in gebruik neemt.



Bij het werken met de machine altijd een veiligheidsbril dragen.



Voor alle werkzaamheden aan de machine de stekker uit de kontaktdoos trekken.



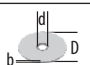


Toebehoren - Wordt niet meegeleverd. Is apart leverbaar. Zie hiervoor het toebehorenprogramma.



Geef elektrisch gereedschap niet met het huisvuil mee! Volgens de Europese richtlijn 2002/96/EG inzake oude elektrische en elektronische apparaten en de toepassing daarvan binnen de nationale wetgeving, dient gebruikt elektrisch gereedschap gescheiden te worden ingezameld en te worden afgevoerd naar een recycle bedrijf dat voldoet aan de geldende milieu-eisen.



Elektrisch gereedschap van de beschermingsklasse II. Elektrisch gereedschap waarbij de bescherming tegen elektrische schokken niet afhankelijk is van de basisisolatie, maar waarin ook extra veiligheidsmaatregelen worden toegepast zoals dubbele of versterkte isolatie. Er is geen voorziening voor de aansluiting van een aardleiding.

TEKNISKE DATA	AGVM 24-230 GEX	AGVM 26-230 GEX
Vinkelsliber		
Produktionsnummer	4026 50 01... 4026 61 01... ...000001-999999	4026 67 01... 4026 55 01... ...000001-999999
Nominel optagen effekt	2400 W	2600 W
Nominelt omdrejningstal	6600 min ⁻¹	6600 min ⁻¹
 D=Slibeskive-ø maks. b=Slibeskivetykkelse maks. d=borings-ø	D= max 230 mm b= max 6 mm (1/4") d= 22,2 mm	D= max 230 mm b= max 6 mm (1/4") d= 22,2 mm
 D=Slibefladens diameter maks.	D= max 230 mm	D= max 230 mm
 D=Kopbørstens diameter maks.	D= max 100 mm	D= max 100 mm
Spindelgevind	M14	M14
Vægt svarer til EPTA-procedure 01/2003	5,8 kg	5,8 kg
Støj/Vibrationsinformation Måleværdier beregnes iht. EN 60 745. Værktøjets A-vurderede støjniveau er typisk: Lydtrykniveau (K=3dB(A)) Lydefekt niveau (K=3dB(A)) Brug høreværn!	93 dB(A) 104 dB(A)	93 dB(A) 104 dB(A)
Samlede vibrationsværdier (værdisum for tre retninger) beregnet iht. EN 60745. Skrubslibning: Vibrationseksponering ah Usikkerhed K Sandpapirslibning Vibrationseksponering ah Usikkerhed K	2,5 m/s ² 1,5 m/s ² < 2,5 m/s ² 1,5 m/s ²	2,5 m/s ² 1,5 m/s ² < 2,5 m/s ² 1,5 m/s ²
Ved anden anvendelse, f.eks. kapskæring eller slibning med ståltrådsbørste, kan andre vibrationsværdier forekomme!		

ADVARSEL

Svingningsniveauet, som er angivet i disse anvisninger, er målt i henhold til standardiseret måleprocedure ifølge EN 60745 og kan anvendes til indbyrdes sammenligning mellem el-værktøjer. Svingningsniveauet er ligeledes egnet som foreløbigt skøn over svingningsbelastningen.

Det angivne svingningsniveau er baseret på el-værktøjets primære anvendelsesformål. Hvis el-værktøjet benyttes til andre formål, med andet indsatsværktøj eller ikke vedligeholdes tilstrækkeligt, kan svingningsniveauet afvige. Dette kan øge svingningsbelastningen over den samlede arbejdsperiode betydeligt.

For en nøjagtig vurdering af svingningsbelastningen skal der også tages højde for de tidsperioder, hvor apparatet er slukket, eller hvor apparatet kører, men uden at være i anvendelse. Dette kan reducere svingningsbelastningen over den samlede arbejdsperiode betydeligt.

Supplerende sikkerhedsforanstaltninger til beskyttelse af brugeren mod påvirkninger fra svingninger skal iværksættes, f.eks.: Vedligeholdelse af el-værktøj og indsatsværktøj, varmholdelse af hænder, organisering af arbejdsprocesser.

⚠ ADVARSEL! Læs alle sikkerhedsanvisninger og øvrige vejledninger, også i den vedlagte brochure. I tilfælde af manglende overholdelse af advarselshenvisningerne og instrukserne er der risiko for elektrisk stød, brand og/eller alvorlige kvæstelser. Opbevar alle advarselshenvisninger og instrukser til senere brug.

SIKKERHEDSINFORMATIONER FOR VINKELSLIBERE

Fælles advarselshenvisninger til slibning, sandpapirslibning, arbejde med trådbørster og skærearbejde:

Fælles sikkerhedsanvisninger for slibning, sandpapirslibning, arbejde med trådbørster og overskæringsslibning.

a) Dette el-værktøj skal anvendes som sliber, sandpapirsliber, trådbørste og overskæringsslibemaskine. Alle sikkerhedsanvisninger og øvrige anvisninger samt illustrationer og data, som følger med el-værktøjet, skal iagttages. Hvis

nedestående anvisninger tilsidesættes, kan det føre til elektrisk stød, ildebrand og/eller svære kvæstelser.

b) Dette el-værktøj er ikke egnet til polering. Anvendes el-værktøjet til formål, det ikke er beregnet til, kan der opstå farlige situationer, som kan medføre kvæstelser.

c) Anvend kun tilbehør, hvis det er beregnet til dette el-værktøj og anbefalet af fabrikanten. En mulig fastgørelse af tilbehøret til el-værktøjet sikrer ikke en sikker anvendelse.

d) Den tilladte hastighed for indsatsværktøjet skal mindst være så høj som den max. hastighed, der er angivet på el-værktøjet. Tilbehør, der drejer hurtigere end tilladt, kan blive ødelagt eller flyve omkring.

e) Indsatsværktøjets udvendige diameter og tykkelse skal svare til målene på dit el-værktøj. Forkert målt indsatsværktøj kan ikke afskærmes eller kontrolleres tilstrækkeligt.

f) Slibeskiver, flanger, slibebagskiver eller andet tilbehør skal passe nøjagtigt til slibespindlen på dit el-værktøj. Indsatsværktøj, der ikke passer nøjagtigt på el-værktøjets

slibespindel, drejer ujævnt, vibrerer meget stærkt og kan medføre, at man taber kontrollen.

g) Brug ikke el-værktøjet, hvis det er beskadiget. Kontrollér altid før brug indsatsværktøj som f.eks. slibeskiver for afsplintninger og revner, slibebagskiver for revner, slid eller stærkt slid, trådbørster for løse eller brækkede træde. Tabes el-værktøjet eller indsatsværktøjet på jorden, skal du kontrollere, om det er beskadiget; anvend evt. et ubeskadiget indsatsværktøj. Når indsatsværktøjet er kontrolleret og indsat, skal du holde dig selv og personer, der befinder sig i nærheden, uden for det niveau, hvor indsatsværktøjet roterer, og lad el-værktøjet køre i et minut ved højeste hastighed. Beskadiget indsatsværktøj brækker for det meste i denne testtid.

h) Brug personligt beskyttelsesudstyr. Brug helmaske til ansigtet, øjenværn eller beskyttelsesbriller, afhængigt af det udførte arbejde. Brug afhængigt af arbejdets art støvmaske, høreværn, beskyttelseshandsker eller specialforklæde, der beskytter dig mod små slibe- og materialepartikler. Øjenene skal beskyttes mod fremmede genstande, der flyver rundt i luften og som opstår i forbindelse med forskelligt arbejde. Støv- eller åndedrætsmaske skal filtrere det støv, der opstår under arbejdet. Udsættes du for høj støj i længere tid, kan du lide høretab.

i) Sørg for tilstrækkelig afstand til andre personer under arbejdet. Enhver, der betræder arbejdsområdet, skal bruge personligt beskyttelsesudstyr. Brudstykker fra emnet eller brækket indsatsværktøj kan flyve væk og føre til kvæstelser også uden for det direkte arbejdsområde.

j) Hold altid kun el-værktøjet i de isolerede gribeblader, når du udfører arbejde, hvor indsatsværktøjet kan ramme bøjede strømledninger eller værktøjets eget kabel. Kontakt med en spændingsførende ledning sætter også metaldele under spænding, hvilket fører til elektrisk stød.

k) Hold netkablet væk fra roterende indsatsværktøj. Taber du kontrollen over el-værktøjet, kan netkablet skæres over eller rammes, og din hånd eller din arm kan trækkes ind i det roterende indsatsværktøj.

l) Læg aldrig el-værktøjet til side, før indsatsværktøjet står helt stille. Det roterende indsatsværktøj kan komme i kontakt med fralægningsfladen, hvorved du kan tabe kontrollen over el-værktøjet.

m) Lad ikke el-værktøjet køre, mens det bæres. Dit tøj kan blive fanget ved en tilfældig kontakt med det roterende indsatsværktøj, hvorved indsatsværktøjet kan bore sig ind i din krop.

n) Rengør ventilationsåbningerne på dit el-værktøj med regelmæssige mellemrum. Motorhuset trækker støv ind i huset, og store mængder metalstøv kan være farligt rent elektrisk.

o) Brug ikke el-værktøjet i nærheden af brændbare materialer. Gnister kan sætte ild i materialer.

p) Brug ikke indsatsværktøj, der transporterer flydende kølemiddel. Brug af vand eller andre flydende kølemidler kan føre til elektrisk stød.

Tilbageslag og tilsvarende advarsler

Tilbageslag er en pludselig reaktion, som skyldes, at et roterende indsatsværktøj (slibemaskine, slibebagskive, trådbørste osv.) har sat sig fast eller blokerer. Fastsættelse eller blokering fører til et pludseligt stop af det roterende indsatsværktøj. Derved accelereres et ukontrolleret el-værktøj mod indsatsværktøjets omningsretning på blokeringsstedet.

Sidder f.eks. en slibeskive fast eller blokerer i et emne, kan kanten på slibeskiven, der dykker ned i emnet, blive siddende, hvorved slibeskiven brækker af eller fører til et tilbageslag. Slibeskiven bevæger sig så hen imod eller væk fra betjeningspersonen, afhængigt af skivens drejeretning på blokeringsstedet. Derved kan slibeskiver også brække. Et tilbageslag skyldes forkert eller fejlbefættet brug af

el-værktøjet. Det kan forhindre ved at træffe egnede forsigtighedsforanstaltninger, der beskrives i det følgende.

a) Hold godt fast i el-værktøjet og sørg for at både krop og arme befinder sig i en position, der kan klare tilbageslagskræfterne. Anvend altid ekstrahåndtaget, hvis et sådant findes, for at have så meget kontrol som muligt over tilbageslagskræfterne eller reaktionsmomenterne, når maskinen kører op i hastighed. Betjeningspersonen kan beherske tilbageslags- og reaktionskræfterne med egnede forsigtighedsforanstaltninger.

b) Sørg for at din hånd aldrig kommer i nærheden af det roterende indsatsværktøj. Indsatsværktøjet kan bevæge sig hen over din hånd i forbindelse med et tilbageslag.

c) Undgå at din krop befinder sig i det område, hvor el-værktøjet bevæger sig i forbindelse med et tilbageslag. Tilbageslaget driver el-værktøjet i modsat retning af slibeskivens bevægelse på blokeringsstedet.

d) Arbejd særlig forsigtig i områder som f.eks. hjørner, skarpe kanter osv. Forhindre at indsatsværktøjet slår tilbage fra emnet og sætter sig fast. Det roterende indsatsværktøj har tendens til at sætte sig fast, når det anvendes i hjørner, skarpe kanter eller hvis det springer tilbage. Dette medfører, at man taber kontrollen eller tilbageslag.

e) Brug ikke kædesavkliver eller tandede savklinger. Sådant indsatsværktøj fører hyppigt til tilbageslag eller at man taber kontrollen over el-værktøjet.

Særlige advarselshenvisninger til slibning og skærearbejde

a) Brug udelukkende slibeskiver/slibestifter, der er godkendt til dit el-værktøj, og den beskyttelseskappe, der er beregnet til disse slibeskiver/slibestifter. Slibeskiver/slibestifter, der ikke er beregnet til el-værktøjet, kan ikke beskyttes tilstrækkeligt og er usikre.

b) Anvend altid beskyttelseskappen, der er beregnet til den anvendte type slibeskiver/slibestifter. Beskyttelseskappen skal være anbragt sikkert på el-værktøjet og være indstillet på en sådan måde, at der nås max. sikkerhed, dvs. at den mindst mulige del af slibeskiven skal pege hen imod betjeningspersonen. Beskyttelseskappen skal beskytte betjeningspersonen mod brudstykker og tilfældig kontakt med slibeskiven/slibestiften.

c) Slibeskiver/slibestifter må kun anvendes til de anbefalede formål. F.eks.: Slib aldrig med sidefladen på en skæreskive. Skæreskiver er bestemt til materialeafslibning med kanten på skiven. Udsættes disse slibeskiver/slibestifter for sidevendt kraftpåvirkning, kan de ødelægges.

d) Anvend altid ubeskadigede spændeflanger i den rigtige størrelse og form, der passer til den valgte slibeskive. Egnede flanger støtter slibeskiven og forringer således faren for brud på slibeskiven. Flanger til skæreskiver kan være forskellige fra flanger for andre slibeskiver.

e) Brug ikke slidte slibeskiver, der passer til større el-værktøj. Slibeskiver til større el-værktøj kan brække, da de ikke er egnet til de højere omdrejningstal, som småt el-værktøj arbejder med.

Yderligere særlige advarselshenvisninger til skærearbejde

a) Undgå at skæreskiven blokerer eller får for højt modtryk. Foretag ikke meget dybe snit. Overbelastes skæreskiven, øges skivens belastning og der er større tendens til, at skiven kan sætte sig i klemme eller blokere, hvilket igen kan føre til tilbageslag eller brud på slibeskiven/slibestiften.

b) Undgå område for og bag ved den roterende skæreskive. Bevæger du skæreskiven i emnet væk fra dig selv, kan el-værktøjets roterende skive slynges direkte ind mod dig i tilfælde af et tilbageslag.

c) Sidder skæreskiven i klemme eller afbryder du arbejdet, slukkes el-værktøjet og maskinen holdes roligt, til skiven er stoppet. Forsøg aldrig at trække skæreskiven ud af snittet, mens den roterer, da dette kan føre til et tilbageslag. Lokalisér og afhjælp fejlen.

d) Tænd ikke for el-værktøjet, så længe det befinder sig i emnet. Sørg for at skæreskiven når op på sit fulde omdrejningstal, før du forsigtigt fortsætter snittet. Ellers kan skiven sætte sig i klemme, springe ud af emnet eller forårsage et tilbageslag.

e) Understøt plader eller store emner for at reducere risikoen for et tilbageslag som følge af en fastklemt skæreskive. Store plader kan bøje sig under deres egen vægt. Emnet skal støttes på begge sider, både i nærheden af skæresnittet og ved kanten.

f) Vær særlig forsigtig ved „lommensnit“ i bestående vægge eller andre områder, hvor man ikke har direkte indblik. Den neddykkede skæreskive kan forårsage et tilbageslag, når der skæres i gas- eller vandledninger, elektriske ledninger eller andre genstande.

Særlige advarselshenvisninger til sandpapirslibning

a) Anvend ikke overdimensioneret slibepapir, men læs og overhold fabrikantens forskrifter mht. slibepapirets størrelse. Slibepapirer, der rager ud over slibebagskiven, kan føre til kvæstelser eller blokering eller iturivning af slibepapirerne eller til tilbageslag.

Særlige advarselshenvisninger i forbindelse med arbejde med trådbørster

a) Vær opmærksom på, at trådbørsten også tager trådstykker under almindelig brug. Overbelast ikke trådene med et for stort tryk. Vækflyvende trådstykker kan meget hurtigt trænge ind under tyndt tøj og/eller huden.

b) Anbefales det at bruge en beskyttelseskappe, skal du forhindre, at beskyttelseskappe og trådbørste kan berøre hinanden. Tallerken- og kopbørster kan øge deres diameter med tryk og centrifugalkraft.

Forkrøppede slibeskiver skal monteres sådan, at deres slibeflade slutter mindst 2 mm under niveauet på beskyttelseskærmens kant.

Stikdåser udendørs skal være forsynet med fejlstrømssikringskontakter (FI, RCD, PRCD). Det forlanger installationsforskriften for Deres elektroanlæg. Overhold dette, når De bruger vores maskiner.

Spåner eller splinter må ikke fjernes, medens maskinen kører.

Maskinen slutes kun udkoblet til stikdåsen.

Pas på ikke at få hånden ind i maskinen.

Brug altid støttegrebet.

Sluk straks for værktøjet, hvis der opstår betydelige svingninger eller der konstateres andre mangler. Kontrollér værktøjet og find frem til årsagen.

Benytt og opbevar kun slibeskiver iht. fabrikantens angivelser.

Gnistregn opstår ved slibning af metal. Vær opmærksom på, at personer ikke kommer til skade. På grund af brandfare må brandbare materialer ikke opbevares i nærheden (gnistregnområde). Brug ikke støvsuger.

Maskinen skal altid håndteres således, at gnister og slibestøv slynges væk fra kroppen.

Til deling af sten er føringsslæden foreskrevet.

Flangemøtrikken skal spændes inden maskinen tages i brug.

Det arbejdsemne, som skal bearbejdes, fastspændes, medmindre det holdes på plads af arbejdsemnets egen vægt. Før aldrig emnet mod skiven med hånden.

Under ekstreme anvendelsesbetingelser (f.eks. glatslibning af metaller med støtteskive og vulkanfiber-slibeskiver) kan

det indvendige af vinkelsliberen blive meget snavset. I sådanne tilfælde er det af sikkerhedsgrunde nødvendigt at foretage grundig rengøring af indvendige metalaflejringer, ligesom det er absolut nødvendigt at installere et fejlstrøms-(HFI) relæ. Hvis HFI-relæet aktiveres, skal maskinen indsendes til reparation.

For værktøj hvorpå der skal monteres hjul med gevindskåret hul, skal De sikre, at gevindet i hjulet er langt nok til at rumme aksellængden.

Til skærearbejder skal benyttes lukket beskyttelseskappe fra tilbehørsprogrammet.

TILTÆNKET FORMÅL

Vinkelsliberen kan anvendes til overskæring og skrubslibning af mange materialer, som f.eks. metal eller sten, samt til slibning med kunststof-tallerkenslibeskive og til arbejde med ståltrådsbørste. Er du i tvivl, så læs vejledningen fra producenten af tilbehøret.

Produktet må ikke anvendes på anden måde og til andre formål end foreskrevet.

CE-KONFORMITETSERKLÆRING

Vi erklærer som eneansvarlig, at det under „Tekniske data“ beskrevne produkt stemmer overens med alle relevante forskrifter, der følger af direktiv 2011/65/EU (RoHS), 2004/108/EF, 2006/42/EF samt af følgende harmoniserede normative dokumenter:

EN 60745-1:2009+A11:2010

EN 60745-2-3:2011

EN 55014-1:2006+A1:2009+A2:2011

EN 55014-2:1997+A1:2001+A2:2008

EN 61000-3-2:2006+A1:2009+A2:2009

EN 61000-3-3:2008



Winnenden, 2013-08-26

Alexander Krug
Managing Director

Autoriseret til at udarbejde de tekniske dokumenter.

Techtronic Industries GmbH
Max-Eyth-Straße 10
71364 Winnenden

NETTILSLUTNING

Tilslutning må kun foretages til enfaset vekselstrøm og kun til en netspænding, som er i overensstemmelse med angivelsen på mærkepladen. Tilslutning kan også ske til stikdåser uden beskyttelseskontakt, da kapslingsklasse II foreligger.

SIKKERHEDSKOBLING

Hvis indsatsværktøjet sætter sig fast eller der opstår pludselig blokering, kobler sikkerhedskoblingen arbejdsspindlen fra motoren. Indsatsværktøjet standser, og beskytter herved brugeren mod tilbageslag. Efter aflastning er sket, kører indsatsværktøjet langsomt op til driftshastighed igen, og arbejdet kan fortsætte. De beskrevne sikkerhedsanvisninger skal overholdes uafhængigt af ovenstående.

GENSTARTSBESKYTTELSE

Maskiner med låsbar knap er udstyret med en genstartsbeskyttelse. Denne forhindrer, at maskinen starter op igen efter strømudfald. For at genoptage arbejdet skal maskinen slukkes og tændes igen.

STARTSTRØMSBEGRÆNSNING

Maskinens startstrøm er et multiplum af den nominelle strøm. Med startstrømsbegrænsningen reduceres startstrømmen så meget, at en sikring (16 A træg) ikke reagerer.

VEDLIGEHOJDELSE

Hvis elværktøjets tilslutningsledning er beskadiget, skal den erstattes med en specielt forberedt tilslutningsledning, der kan fås via kundeservicens organisation.

Hold altid maskinens ventilationsåbninger rene.

Brug kun Milwaukee tilbehør og reservedele. Lad de komponenter, hvis udskiftning ikke er blevet beskrevet, udskifte hos Milwaukee service (brochure garanti/bemærk kundeserviceadresser).

Hvis det er nødvendigt, kan der bestilles en sprængskitse af værktøjet. Angiv herved venligst maskintypen samt det seksificerede nummer på mærkepladen og bestil tegningen hos din lokale kundeserviceafdeling eller direkte hos Techtronic Industries GmbH, Max-Eyth-Straße 10, 71364 Winnenden, Tyskland.

SYMBOLER



Læs brugsanvisningen nøje før ibrugtagning.



Når der arbejdes med maskinen, skal man have beskyttelsesbriller på.



Før ethvert arbejde ved maskinen skal stikket tages ud af stikdåsen.



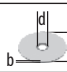


Tilbehør - Ikke inkluderet i leveringsomfanget, køb købes som tilbehør.



Elværktøj må ikke bortskaffes som almindeligt affald! I henhold til det europæiske direktiv 2002/96/EF om bortskaffelse af elektriske og elektroniske produkter og gældende national lovgivning skal brugt værktøj indsamles separat og bortskaffes på en måde, der skåner miljøet mest muligt.



Kapslingsklasse II elværktøj. Elværktøj, hvor beskyttelsen mod et elektrisk stød ikke kun afhænger af basisisoleringen men også af, at der anvendes yderligere beskyttelsesforanstaltninger som dobbelt isolering eller forstærket isolering. Der findes ikke udstyr til tilslutning af en beskyttelsesleder.

TEKNISKE DATA	AGVM 24-230 GEX	AGVM 26-230 GEX
Vinkelsliper		
Produksjonsnummer	4026 50 01... 4026 61 01... ...000001-999999	4026 67 01... 4026 55 01... ...000001-999999
Nominell inngangseffekt	2400 W	2600 W
Nominelt turtall	6600 min ⁻¹	6600 min ⁻¹
 D=Slipeskive-ø maks. b=Slipeskivevetykkelse maks. d=hull-ø	D= max 230 mm b= max 6 mm (1/4") d= 22,2 mm	D= max 230 mm b= max 6 mm (1/4") d= 22,2 mm
 D=Slipeflater-ø maks.	D= max 230 mm	D= max 230 mm
 D=Stålbørster-ø maks.	D= max 100 mm	D= max 100 mm
Spindelgjenge	M14	M14
Vekt i henhold til EPTA-Prosedyren 01/2003	5,8 kg	5,8 kg
Støy/Vibrasjonsinformasjon Måleverdier fastslått i samsvar med EN 60 745. Det typiske A-bedømte støynivået for maskinen er: Lydtrykknivå (K=3dB(A)) Lydeffektnivå (K=3dB(A))	93 dB(A) 104 dB(A)	93 dB(A) 104 dB(A)
Bruk hørselsvern! Totale svingningsverdier (vektorsum fra tre retninger) beregnet jf. EN 60745. Skrubbesliping: Svingningsemisjonsverdi ah Usikkerhet K Sliping med sandpapir Svingningsemisjonsverdi ah Usikkerhet K	2,5 m/s ² 1,5 m/s ² < 2,5 m/s ² 1,5 m/s ²	2,5 m/s ² 1,5 m/s ² < 2,5 m/s ² 1,5 m/s ²
Ved andre anvendelser, som f.eks. kutting eller sliping med stålbørste, kan andre vibrasjonsverdier oppstå!		

ADVARSEL

Svingningsnivået som er angitt i denne instruksjonen er målt i overensstemmelse med målemetoden normert i direktiv EN 60745 og kan brukes til å sammenligne elektromaskiner med hverandre. Den egner seg også for en foreløpig vurdering av svingningsbelastningen.

Det angitte svingningsnivået representerer de hovedsakelige bruk av elektroverktøyet. Men anvendes elektroverktøyet for andre bruk med avvikende utskiftbare verktøy eller vedlikeholdet er utilstrekkelig, kan svingningsnivået være avvikende.

Dette kan forhøye svingningsbelastning betydelig over hele arbeidsperioden. For en nøyaktig vurdering av svingningsbelastningen må også det tas hensyn til tiden apparatet er avslått eller står på, men ikke er i bruk. Dette kan redusere svingningsbelastningen betydelig over hele arbeidsperioden.

Innfør også ekstra sikkerhetstiltak for å beskytte bruker mot utvirkningen av svingningene. Disse kan f.eks. være: vedlikehold av elektroverktøyet og det utskiftbare verktøyet, holde hendene varme, organisasjon av arbeidsforløpet.

⚠ ADVARSEL! Les alle sikkerhetsinstruksjoner og bruksanvisninger, også de i den vedlagte brosjyren. Feil ved overholdelsen av advarslene og nedenstående anvisninger kan medføre elektriske støt, brann og/eller alvorlige skader.

Ta godt vare på alle advarslene og informasjonene.

SIKKERHETSINSTRUKSJONER FOR VINKELSLIPER

Felles advarsler om sliping, sandpapirsliping, arbeid med stålbørster og kapping:

Felles sikkerhetsinstruksjoner for sliping, sandpapirsliping, arbeid med stålbørste og kuttesliping.

a) Dette elektroverktøyet skal brukes som sliper, sandpapirsliper, stålbørste, og kutte slipemaskin. Vær oppmerksom på alle sikkerhetsinstruksjoner, bruksanvisninger, skisser og data, som fås med elektroverktøyet. Dersom følgende anvisninger ikke blir tatt hensyn til kan dette ha elektrisk slag, ild og/eller alvorlig skader til følge.

c) Ikke bruk tilbehør som ikke er spesielt beregnet og anbefalt av produsenten for dette elektroverktøyet. Selv

om du kan feste tilbehøret på elektroverktøyet ditt, garanterer dette ingen sikker bruk.

d) Det godkjente turtallet til innsatsverktøyet må være minst like høyt som det maksimale turtallet som er angitt på elektroverktøyet. Tilbehør som dreies hurtigere enn godkjent, kan brenne og slynges rundt.

e) Utvendig diameter og tykkelse på innsatsverktøyet må tilsvare målene for elektroverktøyet. Gale innsatsverktøy kan ikke sikres eller kontrolleres tilstrekkelig.

f) Slipeskiver, flenser, slipetallerkener eller annet tilbehør må passe nøyaktig på slipespindelen til elektroverktøyet. Innsatsverktøy som ikke passer nøyaktig på slipespindelen til elektroverktøyet, roterer uregelmessig, vibrerer svært sterkt og kan føre til at du mister kontrollen.

g) Ikke bruk skadede innsatsverktøy. Sjekk før hver bruk om innsatsverktøy slik som slipeskiver er splintret eller revnet, om slipetallerkener er revnet eller svært slitt, om stålbørster har løse eller har brukte tråder. Hvis elektroverktøyet eller innsatsverktøyet faller ned, må du kontrollere om det er skadet eller bruk et ikke skadet innsatsverktøy. Når du har kontrollert og satt inn innsatsverktøyet, må du holde personer som oppholder seg i nærheten unna det roterende innsatsverktøyet og

la elektroverktøyet gå i ett minutt med maksimalt turtall. Som regel brenner skadede innsatsverktøy i løpet av denne testtiden.

h) Bruk personlig beskyttelsesutstyr. Avhengig av typen bruk må du bruke visir, øyebeskyttelse eller vernebriller. Om nødvendig må du bruke støvmaske, hørselsvern, vernehansker eller spesialforkle som holder små slipe- og materialpartikler unna kroppen din. Øynene bør beskyttes mot fremmedlegemer som kan fly rundt ved visse typer bruk. Støv- eller pustevernmasker må filtrere den typen støv som oppstår ved denne bruken. Hvis du er utsatt for sterk støy over lengre tid, kan du miste hørselen.

i) Pass på at andre personer holder tilstrekkelig avstand til arbeidsområdet ditt. Alle som går inn i arbeidsområdet må bruke personlig verneutstyr. Brukne deler til verktøyet eller brukne innsatsverktøy kan slynges ut og derfor også forårsake skader utenfor det direkte arbeidsområdet.

j) Ta kun tak i elektroverktøyet på de isolerte gripeflatene, hvis du utfører arbeid der innsatsverktøyet kan treffe på skjulte strømledninger eller den egne strømledningen. Kontakt med en spenningsførende ledning setter også elektroverktøyet metalldele under spenning og fører til elektriske støt.

k) Hold strømledningen unna roterende innsatsverktøy. Hvis du mister kontrollen over elektroverktøyet kan strømledningen kappes eller komme inn i verktøyet, og hånden eller armen din kan komme inn i det roterende innsatsverktøyet.

l) Legg aldri elektroverktøyet ned før innsatsverktøyet er stanset helt. Det roterende innsatsverktøyet kan komme i kontakt med overflaten der maskinen legges ned, slik at du kan miste kontrollen over elektroverktøyet.

m) La aldri elektroverktøyet være innkoblet mens du bærer det. Tøyet ditt kan komme inn i det roterende innsatsverktøyet hvis det tilfeldigvis kommer i kontakt med verktøyet og innsatsverktøyet kan da bore seg inn i kroppen din.

n) Rengjør ventilasjonsåpningene til elektroverktøyet med jevne mellomrom. Motorriften trekker støv inn i huset, og en stor oppsamling av metallstøv kan medføre elektrisk fare.

o) Ikke bruk elektroverktøyet i nærheten av brennbare materialer. Gnister kan antenne disse materialene.

p) Bruk ikke innsatsverktøy som krever flytende kjølemidler. Bruk av vann eller andre flytende kjølemidler kan føre til elektriske støt.

Tilbakeslag og tilsvarende advarsler

Tilbakeslag er innsatsverktøyet plutselige reaksjon etter at det har hengt seg opp eller blokkerer. Dette kan gjelde slipeskiven, slipetallerkener, stålbørsten osv.. Opphenging eller blokkering fører til at det roterende innsatsverktøyet stanser helt plutselig. Slik akselereres et ukontrollert elektroverktøy mot innsatsverktøyet dreieretning på blokkeringstedet.

Hvis f. eks. en slipeskive henger seg opp eller blokkerer i arbeidsstykket, kan kanten på slipeskiven som dykker inn i arbeidsstykket, henge seg opp og slik brenner slipeskiven eller forårsaker et tilbakeslag. Slipeskiven beveger seg da mot eller bort fra brukeren, avhengig av skivens dreieretning på blokkeringstedet. Slik kan slipeskiver også brenne. Et tilbakeslag er resultat av en gal eller feilaktig bruk av elektroverktøyet. Det kan unngås ved å følge egnede sikkerhetstiltak som beskrevet nedenstående.

a) Hold elektroverktøyet godt fast og plasser kroppen og armene dine i en stilling som kan ta imot tilbakeslagskrefter. Bruk alltid ekstrahåndtaket – hvis dette finnes – for å ha størst mulig kontroll over tilbakeslagskrefter eller reaksjonsmomenter ved oppkjøring. Brukeren kan beherske tilbakeslags- og reaksjonsmomenter med egnede tiltak.

b) Hold aldri hånden i nærheten av det roterende innsatsverktøyet. Innsatsverktøyet kan bevege seg over hånden din ved tilbakeslag.

c) Unngå at kroppen din befinner seg i området der elektroverktøyet vil bevege seg ved et tilbakeslag. Tilbakeslaget driver elektroverktøyet i motsatt retning av slipeskivens dreieretning på blokkeringstedet.

d) Vær spesielt forsiktig i hjørner, på skarpe kanter osv. Du må forhindre at innsatsverktøy avpelles fra arbeidsstykket eller klemmes fast. Det roterende innsatsverktøyet har en tendens til å klemmes fast i hjørner, på skarpe kanter eller hvis det avpelles. Dette forårsaker kontrolltap eller tilbakeslag.

e) Bruk ikke kjedesagblad eller tannet sagblad. Slike innsatsverktøy fører ofte til tilbakeslag eller til at man mister kontrollen over elektroverktøyet.

Spesielle advarsler om sliping og kapping

a) Bruk kun slipeskiver som er godkjent for dette elektroverktøyet og et vernedekselet som er konstruert for denne typen slipeskive. Slipeskiver som ikke ble konstruert for dette elektroverktøyet, kan ikke beskyttes tilsvarende og er ikke sikre.

b) Bruk alltid vernedekselet som ble konstruert for den slipeskivetypen du bruker. Vernedekselet må monteres sikkert på elektroverktøyet og innstilles slik at det oppnås så stor sikkerhet som mulig, dvs. den minste delen på slipeskiven skal peke åpent mot brukeren. Vernedekselet skal beskytte brukeren mot avbrukne deler og tilfeldig kontakt med slipeskiven.

c) Slipeskiver må kun brukes til anbefalt type bruk. F. eks.: Ikke slip med sideflaten til en kappeskive. Kappeskiver er beregnet til materialfjerning med kanten på skiven. Innvirkning av krefter fra siden kan føre til at slipeskivene brenner.

d) Bruk alltid uskadete spennflenser i riktig størrelse og form for den slipeskiven du har valgt. Egnede flenser støtter slipeskiven og reduserer slik faren for at slipeskiven brenner. Flenser for kappeskiver kan være annerledes enn flenser for andre slipeskiver.

e) Ikke bruk slitte slipeskiver fra større elektroverktøy. Slipeskiver for større elektroverktøy er ikke beregnet til de høyere turtall på mindre elektroverktøy og kan brenne.

Ytterligere spesielle advarsler for kappesliping

a) Unngå blokkering av kappeskiven eller for sterkt presstrykk. Ikke utfør for dype snitt. En overbelastning av kappeskiven øker slitasjen og tendensen til fastkiling eller blokkering og dermed også muligheten til tilbakeslag eller brudd på slipeskiven.

b) Unngå området foran og bak den roterende kappeskiven. Hvis kappeskiven beveger seg bort fra deg i arbeidsstykket, kan elektroverktøyet med den roterende skiven ved tilbakeslag slynges direkte mot kroppen din.

c) Hvis kappeskiven blokkerer eller du avbryter arbeidet, slår du av elektroverktøyet og holder det rolig til skiven er stanset helt. Forsøk aldri å trekke den roterende kappeskiven ut av snittet, ellers kan det oppstå et tilbakeslag. Finn og fjern årsaken til blokkeringen.

d) Ikke start elektroverktøyet igjen så lenge det befinner seg i arbeidsstykket. La kappeskiven oppnå det maksimale turtallet før du fortsetter forsiktig med snittet. Ellers kan skiven henge seg opp, springe ut av arbeidsstykket eller forårsake tilbakeslag.

e) Støtt plater eller store arbeidsstykker for å redusere risikoen for tilbakeslag fra en fastklemt kappeskive. Store arbeidsstykker kan bøyes av sin egen vekt. Arbeidsstykket må støttes på begge sider, både nær kappesnittet og på kanten.

f) Vær spesielt forsiktig ved «innddykkingsnitt» i vegger eller andre uoversiktelige områder. Den inntrengende kappeskiven kan treffe på gass- eller vannledninger,

elektriske ledninger eller gjenstander som kan forårsake tilbakeslag.

Spesielle advarsler om sandpapiersliping

a) Ikke bruk overdimensjonerte slipeskiver, følg produsentens informasjon om slipepapirstørrelsen. Slipeskiver som peker ut over slipetallerkenen kan forårsake skader og føre til at slipeskivene blokkerer eller revner eller til at det oppstår tilbakeslag.

Spesielle advarsler for arbeid med stålborster

a) Husk på at stålborsten mister stålbitar i løpet av vanlig bruk. Ikke overbelast ståldelene med for sterkt presstrykk. Ståldeler som slynges bort kan lett trenge inn gjennom tynt tøy og/eller hud.

b) Hvis det anbefales å bruke et vernebelegg, må du forhindre at vernebelegget og stålborsten kan berøre hverandre. Tallerken- og koppborster kan få større diameter med presstrykk og sentrifugalkrefter.

Skrubbeskiver må monteres slik at slipeflaten ender minst 2 mm under flaten til vernehettens kant.

Stikkontakter utendørs må være utstyrt med feilstrøm-sikkerhetsbryter (FI, RCD, PRCD). Dette forlanges av installasjonsforskriften for elektroanlegg. Vennligst følg dette når du bruker vårt apparat.

Spon eller fliser må ikke fjernes mens maskinen er i gang.

Maskinen må være slått av når den koples til stikkontakten.

Ikke grip inn i fareområdet mens maskinen er i gang.

Bruk alltid ekstrahåndtaket.

Slå straks av apparat når det oppstår store svingninger eller du fastslår andre mangler. Kontroller maskinen for å fastslå årsaken.

Bruk og oppbevar slipeskiver alltid i henhold til produsentens anvisninger.

Ved sliping av metall flyr det gnister. Pass på at ingen personer blir utsatt for fare. På grunn av brannfaren må det ikke finnes noen brennbare materialer i nærheten (gnistområdet). Ikke bruk støvavsug.

Hold apparatet alltid slik at gnister eller slipestøv flyr vekk fra kroppen.

Føringsleiden er forskrift ved kapping av stein.

Flensmutteren må være trukket til før maskinen startes.

Det emnet som skal bearbeides må være fastspent, hvis det ikke blir holdt av sin egen vekt. Før aldri emnet med hånden mot skiven.

Under ekstreme bruksforhold (f.eks. ved glattslipeing av metall med støtteskive og vulkanfiber-slipeskiver) kan det legges seg mye skitt inne i vinkelsliperen. Ved slike bruksforhold er det av sikkerhetsgrunner nødvendig med innvendig rengjøring for å fjerne metallrester, det er dessuten tvingende nødvendig å montere en jordfeil- (FI) bryter. Hvis FI-bryteren reagerer må maskinen innsendes til reparasjon.

For verktøy som skal tilpasses hjul med gjengete hull, påse at gjengen i hjulet er langt nok til spindellengden.

For kutting bruk lukket beskyttelseshetten fra tilbehørdelene.

FORMÅLSMESSIG BRUK

Vinkelsliperen kan brukes til kutting og polering/rensing av mange materialer, som f.eks. metall eller stein. Den kan også brukes til sliping med kunststoffskiver og til arbeid med stålborste. I tvilstilfeller ta hensyn til instruksjonene til produsenten av tilbehøret.

Dette apparatet må kun brukes til de oppgitte formål.

CE-SAMSVARERKLÆRING

Vi erklærer i alene ansvar at produktet beskrevet i „Teknisk data“ overensstemmer med alle relevante forskrifter til Eu direktiv 2011/65/EU (RoHS), 2004/108/EG, 2006/42/EG og de følgende harmoniserte normative dokumentene.

EN 60745-1:2009+A11:2010

EN 60745-2-3:2011

EN 55014-1:2006+A1:2009+A2:2011

EN 55014-2:1997+A1:2001+A2:2008

EN 61000-3-2:2006+A1:2009+A2:2009

EN 61000-3-3:2008



Winnenden, 2013-08-26

Alexander Krug
Managing Director

Autorisert til å utarbeide den tekniske dokumentasjonen

Techtronic Industries GmbH

Max-Eyth-Straße 10

71364 Winnenden

NETTILKOPLING

Skal bare tilsluttes enfasevekselstrøm og bare til den på skiltet angitte nettspenning. Tilslutning til stikkontakter uten jordet kontakt er mulig fordi beskyttelse beskyttelsesklasse II er forhanden.

SIKKERHETSKOBLING

Ved fasthektning eller plusselig blokkering av verktøyet i bruk, skiller sikkerhetskoblingen arbeidsspindelen fra motoren. Verktøyet stanser og beskytter slik bruker mot tilbakeslag. Etter at fasthektningen eller blokkeringen er fjernet, begynner verktøyet sakte å gå igjen til arbeidsomdreiningstallet er nådd og det kan arbeides videre. Uavhengig av dette må de beskrivne sikkerhetsinstruksjoner overholdes.

AUTOMATISK GJENSTARTSBESKYTTELSE

Maskiner med låsbar bryter er utstyrt med beskyttelse mot automatisk gjenstart. Dette forhindrer at maskinen starter automatisk igjen etter strømbrydd. Maskinen må slås av og på igjen før man kan begynne å arbeide igjen.

STARTSTRØMBEGRENSNING

Maskinens startstrøm utgjør et multiplum av den nominelle strømmen. Ved hjelp av startstrømbegrensningen blir startstrømmen redusert så mye at en sikring (16 A, treg) ikke utløses.

VEDLIKEHOLD

Er tilkoblingsledningen til elektroverktøyet skadet, må den skiftes ut med en spesielt laget tilkoblingsledning som er å få hos kundeservice organisasjonen.

Hold alltid luftenåpningene på maskinen rene.

Bruk kun Milwaukee tilbehør og reservedeler. Komponenter der utskiftning ikke er beskrevet skal skiftes ut hos Milwaukee kundeservice (se brosjyre garanti/ kundeserviceadresser).

Ved behov kan det fås en eksplosjonstegning av apparatet hos kundeservice eller direkte hos Techtronic Industries GmbH, Max-Eyth-Straße 10, 71364 Winnenden, Germany ved angivelse av maskinens type og det sekstallige nummeret på maskinens skilt.

SYMBOLER



Les nøye gjennom bruksanvisningen før maskinen tas i bruk.



Bruk alltid vernebrille når du arbeider med maskinen.



Trekk støpslet ut av stikkontakten før du begynner arbeider på maskinen.



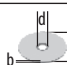


Tilbehør - inngår ikke i leveransen, anbefalt komplettering fra tilbehørsprogrammet.



Kast aldri elektroverktøy i husholdningsavfallet! I henhold til EU-direktiv 2002/96/EF om kasserte elektriske og elektroniske produkter og direktivets iverksetting i nasjonal rett, må elektroverktøy som ikke lenger skal brukes, samles separat og returneres til et miljøvennlig gjenvinningsanlegg.



Elektroverktøy av verneklasse II. Elektroverktøy hvor beskyttelse mot elektrisk slag ikke bare er avhengig av basisisoleringen, men som også er avhengig av at tilleggsvernetiltak som dobbelt eller forsterket isolering blir brukt. Det finnes ingen innretning for tilkobling av en beskyttelsesleder.

TEKNISKA DATA	AGVM 24-230 GEX	AGVM 26-230 GEX
Vinkelslip Produktionsnummer	4026 50 01... 4026 61 01... ...000001-999999	4026 67 01... 4026 55 01... ...000001-999999
Nominell upptagen effekt	2400 W	2600 W
Märkvarvtal	6600 min ⁻¹	6600 min ⁻¹
 D=Slipskivor-ø max. b=Slipskivstjocklek max. d=ø hål	D= max 230 mm b= max 6 mm (1/4") d= 22,2 mm	D= max 230 mm b= max 6 mm (1/4") d= 22,2 mm
 D=Slipyta ø max.	D= max 230 mm	D= max 230 mm
 D=Stålborste ø max.	D= max 100 mm	D= max 100 mm
Spindelgånga	M14	M14
Vikt enligt EPTA 01/2003	5,8 kg	5,8 kg
Buller-/vibrationsinformation Mätvärdena har tagits fram baserade på EN 60 745. A-värdet av maskinens ljudnivå utgör: Ljudtrycksnivå (K=3dB(A)) Ljudeffektsnivå (K=3dB(A)) Använd hörselskydd!	93 dB(A) 104 dB(A)	93 dB(A) 104 dB(A)
Totala vibrationsvärden (vektorsumma ur tre riktningar) framtaget enligt EN 60745. Skrubbslipning: Vibrationsemissionsvärde ah Onoggrannhet K Slipning med sandpapper Vibrationsemissionsvärde ah Onoggrannhet K Om man använder verktyget för andra ändamål, t ex för kapning eller slipning med stålborste, kan man få andra vibrationsvärden!	2,5 m/s ² 1,5 m/s ² < 2,5 m/s ² 1,5 m/s ²	2,5 m/s ² 1,5 m/s ² < 2,5 m/s ² 1,5 m/s ²

VARNING

Den i de här anvisningarna angivna vibrationsnivån har uppmätts enligt ett i EN 60745 normerat mätförfarande och kan användas vid jämförelse mellan olika elverktyg. Nivån är även lämplig att använda vid en preliminär bedömning av vibrationsbelastningen.

Den angivna vibrationsnivån representerar den huvudsakliga användningen av det aktuella elverktyget. Men om elverktyget ska användas i andra användningsområden, tillsammans med avvikande insatsverktyg eller efter otillräckligt underhåll, kan vibrationsnivån skilja sig. Det kan öka vibrationsbelastningen betydligt under hela arbetstiden.

För att få en exaktare bedömning av vibrationsbelastningen ska även den tid beaktas, under vilken elverktyget är avstängt eller är påslaget, utan att det verkligen används. Det kan reducera vibrationsbelastningen betydligt under hela arbetstiden.

Lägg som skydd för användaren fast extra säkerhetsåtgärder mot vibrationernas verkan, som till exempel: underhåll av elverktyg och insatsverktyg, varmhållning av händer och organisering av arbetsförlopp.

⚠ VARNING! Läs alla säkerhetsanvisningar och andra tillhörande anvisningar, även de i den medföljande broschyren. Fel som uppstår till följd av att anvisningarna nedan inte följts kan orsaka elstöt, brand och/eller allvarliga kroppsskador.
Förvara alla varningar och anvisningar för framtida bruk.

SÄKERHETSINSTRUKTIONER FÖR VINKELSLIP

Gemensamma säkerhetsanvisningar för slipning, slipning med sandpapper, arbete med stålborstar och kaprondeller

a) Detta elverktyg ska användas som slipmaskin, slipmaskin med sandpapper, stålborste och kapverktyg. Beakta alla säkerhetsanvisningar, instruktioner, bilder och uppgifter som bifogas verktyget. Följs inte följande anvisningar kan detta medföra elektriska stötar, brand och/eller allvarliga personskador.

b) Den här maskinen är inte avsedd för polering. Tillämpningar som maskinen inte är avsedd för kan förorsaka faror och personskador.

c) Använd inte tillbehör som tillverkaren inte uttryckligen godkänt och rekommenderat för detta elverktyg. Även om tillbehör kan fästas på elverktyget finns det ingen garanti för en säker användning.

d) Insatsverktygets tillåtna varvtal måste åtminstone motsvara det på elverktyget angivna högsta varvtalet. Tillbehör med en högre rotationshastighet kan bryta och slungas ut.

e) Insatsverktygets yttre diameter och tjocklek måste motsvara elverktygets dimensioner. Felldimensionerade insatsverktyg kan inte på betryggande sätt avskämmas och kontrolleras.

f) Slipskivor, flänsar, sliprondeller och annat tillbehör måste passa exakt på elverktygets slipspindel. Insatsverktyg som inte exakt passar till elverktygets slipspindel roterar ojämnt, vibrerar kraftigt och kan leda till att du förlorar kontrollen över verktyget.

g) Använd aldrig skadade insatsverktyg. Kontrollera före varje användning insatsverktygen som t. ex. slipskivor avseende splitterskador och sprickor, sliprondeller avseende sprickor repor eller kraftigt nedslitning, stålborstar avseende lösa eller brustna

trådar. Om elverktyget eller insatsverktyget skulle falla ned kontrollera om skada uppstått eller montera ett oskadat insatsverktyg. Du och andra personer i närheten ska efter kontroll och montering av insatsverktyg ställa er utanför insatsverktygets rotationsradie och sedan låta elverktyget rotera en minut med högsta varvtal. Skadade insatsverktyg går i de flesta fall sönder vid denna provkörning.

h) Använd personlig skyddsutrustning. Använd alltefter avsett arbete ansiktsskärm, ögonskydd eller skyddsglasögon. Om så behövs, använd dammfiltermask, hörselskydd, skyddshandskar eller skyddsfrkläde som skyddar mot små utslungade slip- och materialpartiklar. Ögonen ska skyddas mot utslungade främmande partiklar som kan uppstå under arbetet. Damm- och andningsskydd måste kunna filtrera bort det damm som eventuellt uppstår under arbetet. Risk finns för hörselskada under en längre tids kraftigt buller.

i) Se till att obehöriga personer hålls på betryggande avstånd från arbetsområdet. Alla som rör sign inom arbetsområdet måste använda personlig skyddsutrustning. Brottstycken från arbetsstycket eller insatsverktygen kan slungas ut och orsaka personskada även utanför arbetsområdet.

j) Håll fast elverktyget endast vid de isolerade handtagen när arbeten utförs på ställen där insatsverktyget kan skada dolda elledningar eller egen nätsladd. Om elverktyget kommer i kontakt med en spänningsförande ledning sätts elverktygets metalldelar under spänning som sedan leder till elstöt.

k) Håll nätsladden på avstånd från roterande insatsverktyg. Om du förlorar kontrollen över elverktyget kan nätsladden kapas eller dras in varvid risk finns för att din hand eller arm dras mot det roterande insatsverktyget.

l) Lägg aldrig bort elverktyget innan insatsverktyget stannat fullständigt. Det roterande insatsverktyget kan komma i beröring med underlaget varvid risk finns för att du förlorar kontrollen över verktyget.

m) Elverktyget får inte rotera när det bärs. Kläder kan vid tillfällig kontakt med det roterande insatsverktyget dras in varvid insatsverktyget dras mot din kropp.

n) Rengör regelbundet elverktygets ventilationsöppningar. Motorfläkten drar in damm i huset och en kraftig anhopning av metalldamm kan orsaka farliga elströmmar.

o) Använd inte elverktyget i närheten av brännbara material. Risk finns för att gnistor antänder materialet.

p) Använd inte insatsverktyg som kräver flytande kylmedel. Vatten eller andra kylvätskor kan medföra elstöt.

Varning för bakslag

Ett bakslag är en plötslig reaktion hos insatsverktyget när t. ex. slipskivan, sliprondellen, stålborsten hakar upp sig eller blockerar. Detta leder till abrupt uppbromsning av det roterande insatsverktyget. Härvid accelererar ett okontrollerat elverktyg mot insatsverktygets rotationsriktning vid inklämmningsstället. Om t. ex. en slipskiva hakar upp sig eller blockerar i arbetsstycket kan slipskivans kant i arbetsstycket klämmas fast varvid slipskivan bryts sönder eller orsakar bakslag. Slipskivan rör sig nu mot eller bort från användaren beroende på skivans rotationsriktning vid inklämmningsstället. Härvid kan slivskivor även brista. Bakslag uppstår till följd av missbruk eller felaktig hantering av elverktyget. Detta kan undvikas genom skyddsåtgärder som beskrivs nedan.

a) Håll stadigt i elverktyget samt kroppen och armarna i ett läge som är lämpligt för att motstå bakslagskrafter. Använd alltid stödhandtaget för bästa möjliga kontroll av bakslagskrafter och reaktionsmoment vid start. Användaren kan genom lämpliga försiktighetsåtgärder bättre behärska bakslags- och reaktionskrafterna.

b) Håll alltid handen på betryggande avstånd från det roterande insatsverktyget. Insatsverktyget kan vid ett bakslag gå mot din hand.

c) Undvik att hålla kroppen inom det område elverktyget vid ett bakslag rör sig. Bakslaget kommer att driva elverktyget i motsatt riktning till slivskivans rörelse vid inklämmningsstället.

d) Var särskilt försiktig vid bearbetning av hörn, skarpa kanter osv. Håll emot så att insatsverktyget inte studsar ut från arbetsstycket eller kommer i kläm. På hörn, skarpa kanter eller vid studsning tenderar det roterande insatsverktyget att komma i kläm. Detta kan leda till att kontrollen förloras eller att bakslag uppstår.

e) Använd aldrig kedje- eller tandade sågklingor. Dessa insatsverktyg orsakar ofta ett bakslag eller förlust av kontrollen över elverktyget.

Speciella varningar för slipning och kapslipning

a) Använd endast slipkroppar som godkänts för aktuellt elverktyg och de sprängkydd som är avsedda för dessa slipkroppar. Slipkroppar som inte är avsedda för aktuellt tryckluftverktyg kan inte på betryggande sätt skyddas och är därför farliga.

b) Använd alltid det sprängkydd som är avsett för aktuell slipkropp. Sprängkyddet måste monteras ordentligt på tryckluftverktyget och vara infäst så att högsta möjliga säkerhet uppnås, dvs den del av slipkroppen som är vänd mot användaren måste vara skyddad. Sprängkyddet ska skydda användaren mot brottstycken från eller tillfällig kontakt med slipkroppen.

c) Slipkroppar får användas endast för rekommenderade arbeten. T. ex.: Slipa aldrig med kapskivans sidoyta. Kapskivor är avsedda för materialavverkning med skivans kant. Om tryck från sidan utövas mot slipkroppen kan den spricka.

d) För vald slipskiva ska alltid oskadade spännflänsar i korrekt storlek och form användas. Lämpliga flänsar stöder slipskivan och reducerar sålunda risken för slipskivbrott. Flänsar för kapskivor och andra slipskivor kan ha olika utseende och form.

e) Använd inte nedslitna slipskivor från större elverktyg. Slipskivor för större elverktyg är inte konstruerade för de mindre elverktygens högre varvtal och kan därför spricka.

Andra speciella säkerhetsanvisningar för kapslipning

a) Se till att kapskivan inte kommer i kläm och att den inte utsätts för högt mottryck. Försök inte skära för djupt. Om kapskivan överbelastas ökar dess påfrestning och risk finns för att den snedvids eller blockerar som sedan kan resultera i bakslag eller slipkroppsbrott.

b) Undvik området framför och bakom den roterande kapskivan. Om du för kapskivan i arbetsstycket bort från kroppen kan i händelse av ett bakslag elverktyget med roterande skiva slungas mot din kropp.

c) Om kapskivan kommer i kläm eller arbetet avbryts, koppla från elverktyget och håll det lugnt tills skivan stannat fullständigt. Försök aldrig dra ut en roterande kapskiva ur skärspåret då detta kan leda till bakslag. Lokalisera och åtgärda orsaken för inklämning.

d) Koppla inte åter på elverktyget om det sitter i arbetsstycket. Låt kapskivan uppnå fullt varvtal innan den försiktigt förs in i skärspåret för fortsatt kapning. I annat fall kan skivan haka upp sig, hoppa ur arbetsstycket eller orsaka bakslag.

e) För att reducera risken för ett bakslag till följd av inklämning kapskiva ska skivor och andra stora arbetsstycken stödas. Stora arbetsstycken kan böjas ut till följd av hög egenvikt. Arbetsstycket måste därför stödas på båda sidorna både i närheten av skärspåret och vid kanten.

f) Var speciellt försiktig vid "fickkapning" i dolda områden som t. ex. i en färdig vägg. Där risk finns att

kapskivan kommer i kontakt med gas- eller vattenledningar, elledningar eller andra föremål som kan orsaka bakslag.

Speciella säkerhetsanvisningar för sandpappersslipning

a) Använd inte för stora slippapper, se tillverkarens uppgifter om slippapperets storlek. Slippapper som står ut över sliprondellen kan leda till personskada, blockera, rivnas sönder eller också orsaka bakslag.

Speciella säkerhetsanvisningar för arbeten med trädborstar

a) Observera att trädborstar även under normal användning förlorar trädbitar. Överbelasta inte stålborsten med för högt anliggningsstryck. Utslungade trädbitar kan lätt tränga in genom kläder och/eller i huden.

b) När sprängskydd används bör man se till att sprängskyddet och trädborsten inte berör varandra. Tallriks- och koppborstarnas diameter kan till följd av anliggningsstryck och centrifugalkrafter öka.

Böjda slipskivor ska monteras så, att deras slipyta slutar minst 2 mm under skyddskåpens kant.

Anslut alltid verktyget till via en felströmbrytare (FI, RCD, PRCD) vid användning utomhus.

Avlägsna aldrig spän eller flisor när maskinen är igång.

Maskinen skall vara fränkopplad innan den anslutes till väggurtag.

Laktag största försiktighet när maskinen är igång.

Använd alltid stödhandtag.

Fränkoppla maskinen omedelbart om kraftiga vibrationer uppstår eller andra felfunktioner registreras. Kontrollera maskinen för lokalisering av orsak.

Använd och uppbevara alltid slipskivorna enligt tillverkarens anvisningar.

Vid slipning av metall uppstår gnistor. Se till att personer inte skadas. Pga brandrisken får inga brännbara material finnas i närheten (inom gnistområdet). Använd inte dammsugning!

Håll alltid maskinen så, att gnistor och slipdamm flyger i riktning från kroppen.

För kapning av sten måste styrsläde användas.

Flänsmuttern skall vara åtdragen innan start av maskinen.

Spänn fast arbetsstycket om det inte ligger stadigt till följd av egen vikt. För aldrig arbetsstycket för hand mot slipskivan.

Vid extrema användningsvillkor (till exempel vid planslipning av metaller med stödtallrik och slipskivor av vulkanfiber) kan det bildas mycket smuts på insidan av vinkelslipmaskinen. Vid sådana tillfällen krävs det av säkerhetsskäl såväl en grundlig rengöring från metallavlagringar på insidan som en förkoppling av en jordfelsbrytare. Om jordfelsbrytaren skulle löser ut, så måste vinkelslipmaskinen skickas på reparation.

För verktyg avsedda att förses med skivor med gängat håll, bör man kontrollera att skivans gängning är tillräckligt lång att hantera spindelns

Använd den slutna skyddshuvan från tillbehörsprogrammet vid kaparbeten.

ANVÄND MASKINEN ENLIGT ANVISNINGARNA

Vinkelslipen är användbar för kapning och slipning av många material, som till exempel metall och sten, för slipning med plastsliptallrik och för bearbetning med stålborste. Följ vid tveksamma fall anvisningarna från tillverkaren av tillbehöret.

Maskinen får endast användas för angiven tillämpning.

CE-FÖRSÄKRAN

Vi intygar och ansvarar för att den produkt som beskrivs under "Tekniska data" överensstämmer med alla relevanta bestämmelser i direktiv 2011/65/EU (RoHS), 2004/108/EG, 2006/42/EG och följande harmoniserade normerande dokument:

EN 60745-1:2009+A11:2010
EN 60745-2-3:2011
EN 55014-1:2006+A1:2009+A2:2011
EN 55014-2:1997+A1:2001+A2:2008
EN 61000-3-2:2006+A1:2009+A2:2009
EN 61000-3-3:2008



Winnenden, 2013-08-26

Alexander Krug
Managing Director

Befullmäktigad att sammanställa teknisk dokumentation.

Techtronic Industries GmbH
Max-Eyth-Straße 10
71364 Winnenden

NÄTANSLUTNING

Får endast anslutas till 1-fas växelström och till den spänning som anges på dataskylten. Anslutning kan även ske till eluttag utan skyddskontakt, eftersom konstruktionen motsvarar skyddsklass II.

SÄKERHETSKOPPLING

Om arbetsverktyget fastnar eller plötsligt blockeras skiljer säkerhetskopplingen arbetsspindeln från motorn. Arbetsverktyget stannar och skyddar därmed användaren från att uppsättas för en rekyl. Efter en avlastning varvas arbetsverktyget långsamt upp till arbetsvarvtalet igen; sedan går det att återuppta arbetet. Oberoende av detta måste de beskrivna säkerhetsanvisningarna följas.

ÅTERSTARTSSKYDD

Maskiner med låsbar brytare är utrustade med återstartsskydd. Det förhindrar en automatisk återstart av maskinen efter ett strömavbrott. Stäng av maskinen och starta sedan om den för att återuppta arbetet.

STARTSTRÖMBEGRÄNSNING

Maskinens inkopplingsströmstyrka uppnår flera gånger nominella strömstyrkan. Genom startströmbegränsning reduceras inkopplingsströmmen så mycket, att en säkring (16 A trög) inte slår till.

SKÖTSEL

Om elverktygets anslutningskabel är skadad så ska den bytas ut mot en speciell förmonterad anslutningskabel som kundtjänsten tillhandahåller.

Se till att motorhöljets luftslitsar är rena.

Använd endast Milwaukee tillbehör och reservdelar. Byggdelar vars utbyte ej beskrives utväxlas bäst av Milwaukee auktoriserad serviceverkstad. (beakta broschyren Garanti/Kundtjänstadresser).

Vid behov kan du rekvidrera apparatens sprängskiss antingen hos kundservicen eller direkt hos Techtronic Industries GmbH, Max-Eyth-Straße 10, 71364 Winnenden, Germany. Du ska då ange maskintypen och numret på sex siffror som står på effektskylten.

SYMBOLER



Läs instruktionen noga innan du startar maskinen.



Använd alltid skyddsglasögon.



Drag alltid ur kontakten när du utför arbeten på maskinen.



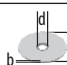


Tillbehör - Ingår ej i leveransomfånget, erhålles som tillbehör.



Elektriska verktyg får inte kastas i hushållssoporna! Enligt direktivet 2002/96/EG som avser äldre elektrisk och elektronisk utrustning och dess tillämpning enligt nationell lagstiftning ska uttjänta elektriska verktyg sorteras separat och lämnas till miljövänlig återvinning.



Elverktyg skyddsklass II. Elverktyg hos vilket skyddet mot elstötar inte bara är avhängigt av basisoleringen utan också av att det finns extra skyddsåtgärder, som en dubbel isolering eller en förstärkt isolering. Det finns ingen anordning för anslutning av en skyddsledare.

TEKNISET ARVOT	AGVM 24-230 GEX	AGVM 26-230 GEX
Kulmahiomakone Tuotantnumero	4026 50 01... 4026 61 01... ...000001-999999	4026 67 01... 4026 55 01... ...000001-999999
Nimellinen teho	2400 W	2600 W
Nimellinen kierrosluku	6600 min ⁻¹	6600 min ⁻¹
 D=Hiomalaikan ø max. b=Hiomalaikan paksuus max. d=porausreikä-ø	D= max 230 mm b= max 6 mm (1/4") d= 22,2 mm	D= max 230 mm b= max 6 mm (1/4") d= 22,2 mm
 D=Hiomapinnan ø max.	D= max 230 mm	D= max 230 mm
 D=Kuppiharjan ø max.	D= max 100 mm	D= max 100 mm
Karan kierre	M14	M14
Paino EPTA-meneteltyen 01/2003 mukaan	5,8 kg	5,8 kg
Melunpäästö-/tärinä tiedot Mitta-arvot määritetty EN 60 745 mukaan. Koneen tyyppilinen A-luokitettu melutaso: Melutaso (K=3dB(A)) Äänivoimakkuus (K=3dB(A)) Käytä kuulosuojaimia!	93 dB(A) 104 dB(A)	93 dB(A) 104 dB(A)
Värähtelyn yhteisarvot (kolmen suunnan vektorisumma) mitattuna EN 60745 mukaan. Karkeishionta: Värähtelyemissioarvo ah Epävarmuus K Hiekkapaperihionta Värähtelyemissioarvo ah Epävarmuus K	2,5 m/s ² 1,5 m/s ² < 2,5 m/s ² 1,5 m/s ²	2,5 m/s ² 1,5 m/s ² < 2,5 m/s ² 1,5 m/s ²
Muilla käyttövoilla, esim. katkaisussa tai teräslankaharjalla hiottaessa, saattaa esiintyä muunlaisia tärinäarvoja!		

VAROITUS

Näissä ohjeissa mainittu värähtelytaso on mitattu EN 60745 -standardin mukaisella mittausmenetelmällä ja sitä voidaan käyttää sähkötyökalujen vertaamiseen. Sitä voidaan käyttää myös värähtelyrasituksen väliaikaiseen arviointiin.

Mainittu värähtelytaso edustaa sähkötyökalun pääasiallista käyttöä. Jos sähkötyökalua kuitenkin käytetään muihin tehtäviin, poikkeavin työkalun tai riittämättömästi huoltaen, värähtelytaso voi olla erilainen. Se voi korottaa värähtelyrasitusta koko työajan osalta.

Tarkan värähtelyrasituksen toteamiseen tulee ottaa huomioon aika, jona laite on kytketty pois tai on kylläkin päällä, mutta ei käytössä. Se voi pienentää värähtelyrasitusta koko työajan osalta.

Määrittele lisäturvatoimenpiteitä käyttäjän suojaamiseksi värinöiden vaikutukselta, kuten esimerkiksi: sähkötyökalujen ja käyttötyökalujen huolto, käsien lämpiminä pitäminen, työvaiheiden organisaatio.

VAROITUS! Lue kaikki, myös oheistetussa esitteessä annetut turvallisuusmääräykset ja käyttöohjeet. Turvallisuusohjeiden noudattamisen laiminlyönti saattaa johtaa sähköiskuun, tulipaloon ja/tai vakavaan loukkaantumiseen. Säilytä kaikki turvallisuus- ja muut ohjeet tulevaisuutta varten.

KULMAHIOMAKONEEN TURVALLISUUSMÄÄRÄYKSET

Yhteiset turvallisuusmääräykset hiontaa, hiekkapaperihiontaa, teräsharjojen käyttöä ja katkaisuhiontaa varten

a) Tätä sähkötyökalua saa käyttää hiomakoneena, hiekkapaperihiomakoneena, teräsharjana ja katkaisuhiomakoneena. Noudata kaikkia turvallisuusmääräyksiä, ohjeita, kuvauksia ja tietoja, jotka saat sähkötyökalun mukana. Jos et noudata seuraavia ohjeita, niin tästä saattaa aiheutua sähköiskua, tulipalo ja/tai vaikeita vammoja.

b) Tämä sähkötyökalu ei sovellu kiillotamiseen. Sellainen käyttö, jota varten sähkötyökalua ei ole tehty, saattaa aiheuttaa vaaratilanteita ja vammoja.

c) Älä käytä mitään lisälaitteita, joita ei valmistaja ole tarkoittanut tai suositellut nimenomaan tälle sähkötyökalulle. Vain se, että pystyt kiinnittämään laitetta sähkötyökaluusi ei takaa sen turvallista käyttöä.

d) Vaihtotyökalun sallittu kierrosluvun tulee olla vähintään yhtä suuri, kuin sähkötyökalussa mainittu suurin kierrosluku. Lisätarvike, joka pyörii sallittua suuremmalla nopeudella, saattaa murtua ja sinkoutua ympäristöön.

e) Vaihtotyökalun ulkohalkaisijan ja paksuuden tulee vastata sähkötyökalun mittatietoja. Väärin mitoitettuja vaihtotyökaluja ei voida suojata tai hallita riittävästi.

f) Hiomalaikkojen, laippojen, hiomalautasten ja muiden tarvikkeiden tulee sopia tarkasti sähkötyökalusi hiomakaraan. Vaihtotyökalut, jotka eivät sovi tarkkaan sähkötyökalun hiomakaraan pyörivät epätasaisesti, tärisivät voimakkaasti ja saattavat johtaa työkalun hallinnan menettämiseen.

g) Älä käytä vaurioituneita vaihtotyökaluja. Tarkista ennen jokaista käyttöä, ettei vaihtotyökalussa, kuten hiomalaikoissa ole pirstoutumia tai halkemia, hiomalautasessa halkeamia tai voimakasta kulumista, teräsharjassa irtonaisia tai katkenneita lankoja. Jos sähkötyökalu tai vaihtotyökalu putoaa, tulee tarkistaa, että se on kunnossa tai sitten käyttää ehjää vaihtotyökalua. Kun olet tarkistanut ja asentanut vaihtotyökalun, pidä itsesi ja lähistöllä olevat henkilöt loitolla pyörivän vaihtotyökalun tasosta ja anna sähkötyökalun käydä minuutti täydellä kierrosluvulla. Vaurioituneet vaihtotyökalut menevät yleensä rikki tässä ajassa.

h) Käytä henkilökohtaisia suojavarusteita. Käytä käytöstä riippuen kokokasvonaamiota, silmäsuojusta tai suojalaseja. Jos mahdollista, käytä pölynaamaria, kuulonsuojainta, suojakäsineitä tai erikoissuojavaatetta, joka suojaa sinut pieniltä hioma- ja materiaalihiukkasilta. Silmät tulee suojata lenteleviltä vierailta esineiltä, jotka saattavat syntyä erilaisessa käytössä. Pöly- tai hengityssuojanaamareiden täytyy suodattaa pois työstössä syntyvä pöly. Jos olet pitkään alltiina voimakkaalle melulle, saattaa se vaikuttaa heikentävästi kuuloon.

i) Varmista, että muut henkilöt pysyvät turvallisella etäisyydellä työalueeltasi. Jokaisella, joka tulee työalueelle, tulee olla henkilökohtaiset suojavarusteet. Työkappaleen tai murtuneen vaihtotyökalun osia saattavat sinkoutua kauemmas ja vahingoittaa ihmisiä myös varsinaisen työalueen ulkopuolella.

j) Tartu sähkötyökaluun ainoastaan eristetyistä pinnoista, tehdessäsi työtä, jossa saattaisit osua piilossa olevaan sähköjohtoon tai sahan omaan sähköjohtoon. Kosketus jännitteeseen johtoon saattaa myös sähkötyökalun metalliosat jännitteisiksi ja johtaa sähköiskuun.

k) Pidä verkkojohto poissa pyörivistä vaihtotyökaluista. Jos menetät sähkötyökalun hallinnan, saattaa verkkojohto tulla katkaistuksi tai tarttua kiinni ja vetää kätesi tai käsivartesi kiinni pyörivään vaihtotyökaluun.

l) Älä aseta sähkötyökalua pois, ennen kuin vaihtotyökalu on pysähtynyt kokonaan. Pyörivä vaihtotyökalu saattaa koskettaa lepopintaa ja voit menettää sähkötyökalusi hallinnan.

m) Älä koskaan pidä sähkötyökalua käynnissä sitä kantaessaasi. Vaatteesi voi hetkellisen kosketuksen seurauksena tarttua kiinni pyörivään vaihtotyökaluun, joka saattaa porautua kehoosi.

n) Puhdista sähkötyökalusi tuuletusaukot säännöllisesti. Moottorin tuuletin imee pölyä työkalun koteloon, ja voimakas metallipölyn kasautuma voi synnyttää sähköisiä vaaratilanteita.

o) Älä käytä sähkötyökalua palavien aineiden lähellä. Kipinät voivat sytyttää näitä aineita.

p) Älä käytä vaihtotyökaluja, jotka tarvitsevat nestemäistä jäähdytysainetta. Veden tai muiden nestemäisten jäähdytysaineiden käyttö saattaa johtaa sähköiskuun.

Takaisu ja vastaavat varo-ohjeet

Takaisu on äkillinen reaktio, joka syntyy pyörivän vaihtotyökalun, kuten hiomalaikan, hiomalautasen tai teräsharjan tarttuessa kiinni tai jäädessä puristukseen. Tarttuminen tai puristukseen joutuminen johtaa pyörivän vaihtotyökalun äkilliseen pysähtymiseen. Tällöin hallitsematon sähkötyökalu sinkoutuu tarttumakohdasta vaihtotyökalun kiertosuunnasta vastakkaiseen suuntaan. Jos esim. hiomalaikka tarttuu tai joutuu puristukseen työkappaleeseen, saattaa hiomalaikan reuna, joka on onnuttu työkappaleeseen, juuttua kiinni aiheuttaen hiomalaikan ponnahtuksen ulos työkappaleesta tai aiheuttaa takaiskun. Hiomalaikka liikkuu silloin käyttävää henkilöä vasten tai pois päin hänestä, riippuen laikan kiertosuunnasta tarttumakohdassa. Tällöin hiomalaikka voi myös murtua.

Takaisu johtuu sähkötyökalun väärinkäytöstä tai käytöstä väärään tarkoitukseen. Se voidaan estää sopivin varotoimin, joita selostetaan seuraavassa.

a) Pittele sähkötyökalua tukevasti ja saata kehoasi ja käsivartesi asentoon, jossa pystyt vastaamaan takaiskuvoimiin. Käytä aina lisäkahvaa, jos sinulla on sellainen, jotta pystyisit parhaalla mahdollisella tavalla hallitsemaan takaiskuvoimia tai vastamomentteja työkalun ryntökäynnissä. Käyttävä henkilö pystyy hallitsemaan takaiskuja ja vastamomenttivoimat noudattamalla sopivia suojatoimenpiteitä.

b) Älä koskaan tuo kättäsi lähelle pyörivää vaihtotyökalua. Vaihtotyökalu saattaa takaiskun sattuessa liikkua kätesi yli.

c) Vältä pitämästä kehoasi alueella, johon sähkötyökalu liikkuu takaiskun sattuessa. Takaisu pakottaa sähkötyökalun vastakkaiseen suuntaan hiomalaikan liikkeeseen nähdän tarttumiskohdassa.

d) Työskentele erityisen varovasti kulmien, terävien reunojen jne. alueella, estä vaihtotyökalua ponnahtamasta takaisin työkappaleesta ja juuttumasta kiinni. Pyörivällä vaihtotyökalulla on taipumus juuttua kiinni kulmissa, terävissä reunoissa tai saadessaan kimmokkeen. Tämä johtaa hallinnan pettämiseen tai takaiskuun.

e) Älä käytä ketjuteriä tai hammastettuja sahanteriä. Tällaiset vaihtotyökalut aiheuttavat usein takaiskun tai sähkötyökalun hallinnan menettämisen.

Erityiset varo-ohjeet hiontaan ja katkaisuhiontaan

a) Käytä yksinomaan sähkötyökalullesi sallittuja hiomatyökaluja ja näitä hiomatyökaluja varten tarkoitettuja suojuksia. Hiomatyökaluja, jotka eivät ole tarkoitettuja sähkötyökalun kanssa käytettäväksi ei voida suojata riittävästi ja ne ovat turvattomia.

b) Käytä aina suojusta, joka on tarkoitettu käytettävälle hiomatyökalulle. Suojuksen täytyy olla tukevasti kiinni sähkötyökalussa ja niin asennettu, että suurin mahdollinen turvallisuus saavutetaan. Hiomatyökalun tulee siis olla mahdollisimman vähän avoin käyttäjää kohti. Suojuksen tulee suojata käyttävää henkilöä murtokappaleilta ja tahattomalta hiomatyökalun kostonkettamiselta.

c) Hiomatyökaluja saa käyttää ainoastaan siihen käyttöön mihin niitä suositellaan. Esim.: Älä koskaan hio hiomalaikan sivupintaa käyttäen. Hiomalaikat on tarkoitettu hiontaan laikan ulkokehällä. Sivuttain kohdistuva voima saattaa murtaa hiomalaikan.

d) Käytä aina virheetöntä, oikean kokoista ja muotoista kiinnitysliappaa valitsemallesi hiomalaikalle. Sopivat laipat tukevat hiomalaikkaa ja vähentävät näin hiomalaikan murtumisriskiä. Katkaisulaikkojen laipat saattavat poketa muitten hiomalaikkojen laipoista.

e) Älä käytä isompiin sähkötyökaluihin kuuluneita kuluneita hiomalaikkoja. Suurempien sähkötyökalujen hiomalaikat eivät sovellu pienempien sähkötyökalujen suuremmille kierrosluvuille, ja ne voivat murtua.

Muita katkaisuhiontaan liittyviä erityisvaro-ohjeita

a) Vältä katkaisulaikan juuttumista kiinni ja liian suurta syöttöpainetta. Älä tee liian syviä leikkauksia.

Katkaisulaikan ylikuormitus kasvattaa sen tukusta ja sen alltiutta kallistua tai juuttua kiinni ja siten takaiskun ja laikan murtumisen mahdollisuutta.

b) Vältä aluetta pyörivän katkaisulaikan edessä ja takana. Jos katkaisulaikka liikkuu työkappaleessa sinusta pois päin, saattaa sähkötyökalu takaiskun sattuessa singota suoraan sinua kohti pyörivällä laikalla.

c) Jos katkaisulaikka joutuu puristukseen tai keskeyttää työn, tulee sinun pysäyttää sähkötyökalu ja pitää se rauhallisesti paikoillaan, kunnes laikka on pysähtynyt. Älä koskaan koeta poistaa vielä pyörivää

katkaisulaikkaa leikkauksesta, se saattaa aiheuttaa takaiskun. Määrittele ja poista puristukseen joutumisen syy.
d) Älä käynnistä sähkötyökalua uudelleen, jos laikka on kiinni työkappaleessa. Anna katkaisulaikan ensin saavuttaa täysi kierroslukunsa, ennen kuin varovasta jatkaj leikkausta. Muussa tapauksessa saattaa laikka tarttua kiinni, ponnahtaa ulos työkappaleesta tai aiheuttaa takaiskun.

e) Tue litteät tai isot työkappaleet, katkaisulaikan puristuksen aiheuttaman takaiskuvaaran minimoimiseksi. Suuret työkappaleet voivat taipua oman painonsa takia. Työkappaleelta tulee tukea molemmilta puolilta, sekä katkaisuleikkauksen vierestä, että reunoista.

f) Ole erityisen varovainen upotusleikkauksissa seiniin tai muihin alueisiin, joiden taustaa tai rakennetta et pysty näkemään. Uppoava katkaisulaikka saattaa aiheuttaa takaiskun osuessaan kaasu- tai vesiputkiiin, sähköjohtoihin tai muihin kohteisiin.

Erityiset varo-ohjeet hiekkapaperihiontaan

a) Älä käytä ylisuuria hiomapyöröjä, vaan noudata valmistajan ohjeita hiomapyöröjen koosta. Hiomapyöröt jotka ulottuvat hiomalautasen ulkopuolelle, saattavat aiheuttaa loukkaantumista tai johtaa kiinnijuuttumiseen, hiomapyörön repeytymiseen tai takaiskuun.

Erityiset varo-ohjeet työskentelyyn teräsharjan kanssa

a) Ota huomioon, että teräsharjasta irtoaa lankoja myös normaalkäytössä. Älä ylikuormita lankoja käyttämällä liian suurta painetta työkappaleelta vasten. Irti sinkoutuvat langan kappaleet voivat helposti tunkeutua ohuen vaatteen tai ihon läpi.

b) Jos suojusta suositellaan, tulee sinun varmistaa, ettei suojus ja teräsharja voi koskettaa toisiaan. Lautas- ja kuppiharjojen halkaisijat voivat laajeta puristuspaineen ja keskipakovoiman johdosta.

Taivutetut hiomalaikat täytyy asentaa niin, että niiden hiomapinta ulottuu vähintään 2 mm suojuksuun reunatason ulkopuolelle.

Ulkokäytössä olevat pistorasiat on varustettava vikavirta-suojakytkimillä (FI, RCD PRCD) sähkölaitteistosi asennusmääräyksen mukaisesti. Muista tarkistaa, että laite liitetään ulkokäytössä ulkopistorasiaan ja neuvottele asiasta sähköasentajasi kanssa.

Lastuja tai puruja ei saa poistaa koneen käydessä.

Varmista, että kone on sammutettu ennen kytkemistä sähköverkkoon.

Älä tartu käynnistetyn laitteen työskentelyalueelle.

Käytä aina lisäkädensijaa.

Pysäytä laite välittömästi jos siinä esiintyy huomattavaa värähtelyä tai huomaat muuta puutetta. Tarkista kone vian aiheuttajan määrittelemiseksi.

Käytä ja säilytä aina hiomalaikat valmistajan ohjeiden mukaan.

Metallien hionnassa syntyy kipinöintiä. Tarkista, ettei kenellekään aiheuteta vaaraa. Tulipalovaaran takia ei lähistöllä saa olla mitään palavia aineita (kipinäetäisyydellä). Pölynpoistoa ei käytetä.

Käytä konetta siten, että lastut ja kipinät lentävät itsestäsi pois päin.

Kivenkatkaisussa on käytettävä ohjauskelkkaa.

Laippamutterin on oltava kunnolla kiristetty ennen koneen käyttöönottoa.

Työstettävä kappale on kiinnitettävä, ellei se omapainonsa vuoksi pysy paikallaan. Älä koskaan vie työkappaleita kädessä hiomalaikkaa vasten.

Äärimmäisen vaikeissa käyttöolosuhteissa (esim. kiilloittaessa metalleja tukilautasella ja vulkaanikuitu-hiomalaikoilla) saattaa kulmahiomalaitteen sisäpuolelle

kertyä runsaasti likaa. Tällaisissa käyttöolosuhteissa on turvallisuusystävällisesti tarpeen puhdistaa metallikertymät laitteen sisäosista perusteellisesti ja lisäksi tulee ehdottomasti kytkeä laitteen eteen vuotovirtavaroke (FI-katkaisin). Kun FI-katkaisin on lauennut, tulee kone lähettää korjattavaksi.

Varmista sellaisissa työkaluissa, joihin on tarkoitus kiinnittää kierteisreikäinen laikka, että laikan kierre on riittävän pitkä sopimaan karan pituuteen.

Käytä katkaisuleikkauksessa lisävarusteohjelmaan kuuluvaa suljettua suojuksupua.

TARKOITUKSEN MUKAINEN KÄYTTÖ

Kulmahiomakonetta voidaan käyttää monien materiaalien, kuten esim. metallin tai kiven, katkaisuleikkaukseen ja karkeaan hiontaan, sekä hiontaan muovihiomalautasta käyttäen ja työskentelyyn teräslankaharjan kanssa. Epäselvissä tapauksissa noudata lisävarusteiden valmistajien antamia ohjeita.

Älä käytä tuotetta ohjeiden vastaisesti.

TODISTUS CE-STANDARDIN MUKAISUUDESTA

Vakuutamme yksinvastuullisesti, että kohdassa "Tekniset tiedot" kuvattu tuote vastaa kaikkia sitä koskevia direktiivien 2011/65/EU (RoHS), 2004/108/EY, 2006/42/EY määräyksiä sekä seuraavia harmonisoituja standardisoivia asiakirjoja:

EN 60745-1:2009+A11:2010

EN 60745-2-3:2011

EN 55014-1:2006+A1:2009+A2:2011

EN 55014-2:1997+A1:2001+A2:2008

EN 61000-3-2:2006+A1:2009+A2:2009

EN 61000-3-3:2008



Winnenden, 2013-08-26

Alexander Krug
Managing Director

Vaiutettu kokoamaan tekniset dokumentit.

Techtronic Industries GmbH
Max-Eyth-Straße 10
71364 Winnenden

VERKKOLIITÄNTÄ

Yhdistä ainoastaan tasavirtalähteeseen, jonka volttimäärä on sama kuin levyssä ilmoitettu. Myös liittäminen maadoittamattomiin pistokkeisiin on mahdollista, sillä mutoioli on yhdenmukainen turvallisuusluokan II kanssa.

TURVAKYTKIN

Jos käytetty työkalu tarttuu kiinni tai jumittuu yllättäen, niin turvakytkin irroittaa käyttökaran moottorista. Työkalu pysähtyy, ja siten käyttäjää suojataan takaiskulta. Kun työkalu on vapautettu, se kiihtyy hitaasti työkierron lukuun ja työskentelyä voidaan jatkaa. Tästä riippumatta tulee edellä kuvattuja turvallisuusmääräyksiä noudattaa.

UUELLEENKÄYNNISTYS SUOJA

Koneet, joissa on paikalleen lukittava kytkin, on varustettu uudelleenikäynnistysuojalla. Sillä estetään koneen uudelleenikäynnistyminen virtakatkon jälkeen. Työtä jatkettaessa tulee kone ensin sammuttaa ja sitten käynnistää uudelleen.

KÄYNNISTYSVIRRRANRAJOITUS

Koneen käynnistysvirta on monta kertaa suurempi kuin käyntivirta. Käynnistysvirran rajoitin suojaa käynnistysvirtaa ettei 16 A hidassulake laukea.

HUOLTO

Jos sähkötyökalun verkkoliitäntäjohto on vahingoittunut, se täytyy korvata erityisvalmisteisella verkkoliitäntäjohdolla, joka on saatavana teknisen asiakaspalvelun kautta.

Pidä moottorin ilmanottoaukot puhtaina.

Käytä vain Milwaukee: n lisälaitteita ja varaosia. Käytä ammattitaitoisten Milwaukee-huoltosopimusliikkeiden palveluja muiden kuin käyttöohjeessa kuvattujen osien vaihdossa. (esite takuu/huoltoilikeluettelo).

Tarvittaessa voit pyytää laitteen räjähdyspiirustuksen ilmoittaan konetyypin ja tyyppikilvessä olevan kuusinumeroisen luvun huoltopalvelustasi tai suoraan osoitteella Techtronic Industries GmbH, Max-Eyth-Strasse 10, 71364 Winnenden, Saksa.

SYMBOLIT



Lue käyttöohjeet huolellisesti, ennen koneen käynnistämistä.



Käytä laitteella työskennellessäsi aina suojalaseja.



Irrota aina pistotulppa seinäkoskettimesta ennen koneeseen tehtäviä toimempiteitä.



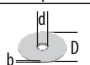


Lisälaite - Ei sisälly vakiovarustukseen, saatavana lisäervikkeena.



Älä hävitä sähkötyökalua tavallisen kotitalousjätteen mukana! Vanhoja sähkö- ja elektroniikkalaitteita koskevan EU-direktiivin 2002/96/ETY ja sen maakohtaisten sovellusten mukaisesti käytetyt sähkötyökalut on toimitettava ongelmajätteen keräyspisteeseen ja ohjattava ympäristöystävälliseen kierrätykseen.



Suojaluokan II sähkötyökalu. Sähkötyökalu, jonka sähköiskun suojaus ei ole riippuvainen ainoastaan peruseristyksestä, vaan myös siitä, että käytetään lisäturvatoimia, kuten kaksinkertaista eristystä tai vahvistettua eristystä. Laitteessa ei ole suojaohjaimen liittämiseen tarvittavia varusteita.

ΤΕΧΝΙΚΑ ΣΤΟΙΧΕΙΑ ΓΩΝΙΑΚΟΣ ΤΡΟΧΟΣ	AGVM 24-230 GEX	AGVM 26-230 GEX
Αριθμός παραγωγής	4026 50 01... 4026 61 01... ...000001-999999	4026 67 01... 4026 55 01... ...000001-999999
Ονομαστική ισχύς	2400 W	2600 W
Ονομαστικός αριθμός στροφών	6600 min ⁻¹	6600 min ⁻¹
 D=Μέγιστος μέγιστη διάμετρος δίσκου λείανσης b=Μέγιστος πάχος τραχυό λείανσης d=διάμετρος οπής	D= max 230 mm b= max 6 mm (1/4") d= 22,2 mm	D= max 230 mm b= max 6 mm (1/4") d= 22,2 mm
 D=Μέγιστος διάμετρος δίσκου λείανσης	D= max 230 mm	D= max 230 mm
 D=Μέγιστος διάμετρος συρματόβουρτσας	D= max 100 mm	D= max 100 mm
Σπείρωμα ατράκτου	M14	M14
Βάρος σύμφωνα με τη διαδικασία EPTA 01/2003	5,8 kg	5,8 kg
Πληροφορίες θορύβου/δονήσεων Τιμές μέτρησης εξακριβωμένες κατά EN 60 745. Η σύμφωνα με την καμπύλη Α εκτιμηθείσα στάθμη θορύβου του μηχανήματος αναφέρεται σε: Στάθμη ηχητικής πίεσης (K=3dB(A)) Στάθμη ηχητικής ισχύος (K=3dB(A)) Φοράτε προστασία ακοής (ωσπατίδες)!	93 dB(A) 104 dB(A)	93 dB(A) 104 dB(A)
Υλικές τιμές κραδασμών (άθροισμα διανυσμάτων τριών διευθύνσεων) εξακριβώθηκαν σύμφωνα με τα πρότυπα EN 60745. Τρόχισμα προλείανσης: Τιμή εκπομπής δονήσεων ah Ανασφάλεια K Λείανση με γυαλόχαρτο Τιμή εκπομπής δονήσεων ah Ανασφάλεια K Σε άλλες εφαρμογές, όπως π.χ. διαχωριστική λείανση ή λείανση με τη συρματόβουρτσα μπορεί να προκύψουν άλλες τιμές ταλαντώσεων!	2,5 m/s ² 1,5 m/s ² < 2,5 m/s ² 1,5 m/s ²	2,5 m/s ² 1,5 m/s ² < 2,5 m/s ² 1,5 m/s ²

ΠΡΟΕΙΔΟΠΟΙΗΣΗ

Το αναφερόμενο σ' αυτές τις οδηγίες επίπεδο δονήσεων έχει μετρηθεί με μια τυποποιημένη σύμφωνα με το EN 60745 μέθοδο μέτρησης και μπορεί να χρησιμοποιηθεί για τη σύγκριση των ηλεκτρικών εργαλείων μεταξύ τους. Αυτό είναι επίσης κατάλληλο για μια προσωρινή εκτίμηση της επιβάρυνση των δονήσεων.

Το αναφερόμενο επίπεδο δονήσεων αντιπροσωπεύει τις κύριες χρήσεις του ηλεκτρικού εργαλείου. Εάν όμως το ηλεκτρικό χρησιμοποιείται σε άλλες χρήσεις, με διαφορετικά εργαλεία εφαρμογής ή ανεπαρκή συντήρηση, μπορεί να υπάρξει απόκλιση του επιπέδου δονήσεων. Αυτό μπορεί να αυξήσει σημαντικά την επιβάρυνση των δονήσεων για τη συνολική διάρκεια της εργασίας.

Για μια ακριβή εκτίμηση της επιβάρυνσης των δονήσεων οφείλουν επίσης να λαμβάνονται υπόψη οι χρόνοι, στους οποίους η συσκευή είναι απενεργοποιημένη ή είναι μεν ενεργοποιημένη αλλά δεν χρησιμοποιείται πραγματικά. Αυτό μπορεί να μειώσει σημαντικά την επιβάρυνση των δονήσεων για τη συνολική διάρκεια της εργασίας.

Καθορίστε πρόσθετα μέτρα ασφαλείας για την προστασία του χειριστή από την επίδραση των δονήσεων όπως για παράδειγμα: Συντήρηση του ηλεκτρικού εργαλείου και των εργαλείων εφαρμογής, διατηρείτε ζεστά τα χέρια, οργάνωση των διαδικασιών εργασίας.

⚠️ ΠΡΟΕΙΔΟΠΟΙΗΣΗ! Διαβάστε όλες τις Υποδεξιές ασφαλείας και τις Οδηγίες, και αυτές στο επισυναπτόμενο φυλλάδιο.

Αμείλιες κατά την τήρηση των προειδοποιητικών υποδείξεων μπορεί να προκαλέσουν ηλεκτροπληξία, κίνδυνο πυρκαγιάς ή/και σοβαρούς τραυματισμούς.

Φυλάξτε όλες τις προειδοποιητικές υποδείξεις και οδηγίες για κάθε μελλοντική χρήση.

ΟΔΗΓΙΕΣ ΑΣΦΑΛΕΙΑΣ ΓΙΑ ΤΡΙΒΕΙΟ ΓΩΝΙΑΣ.

Κοινές προειδοποιητικές υποδείξεις για λείανση και λείανση με συμριδοχαρτο, για εργασίες με συρματόβουρτσα και για εργασίες κοπή

Κοινές οδηγίες ασφαλείας για τρόχισμα, τρίψιμο με γυαλόχαρτο, εργασίες με συρματόβουρτσες και αποκοπή με λείανση

α) Αυτό το ηλεκτρικό εργαλείο είναι κατάλληλο προς χρήση ως τροχός λείανσης, τρίψιμο με γυαλόχαρτο, συρματόβουρτσα και αποκόπτης λείανσης. Θρεϊτέ όλες τις οδηγίες ασφαλείας, τις οδηγίες, τις γραφικές περιγραφές και τα δεδομένα που λάβατε μαζί με το ηλεκτρικό εργαλείο. Αν δεν τηρήσετε τις οδηγίες που

τραντάζονται πολύ ισχυρά και μπορεί να οδηγήσουν σε απώλεια του ελέγχου του ηλεκτρικού εργαλείου.

ζ) **Μη χρησιμοποιείτε χαλασμένα εργαλεία. Να ελέγχετε πάντοτε τα εργαλεία που πρόκειται να χρησιμοποιήσετε, π. χ. τους δίσκους κοπής για σπασίματα και ρωγμές, του δίσκους λείανσης για ρωγμές, φθορές ή ξεφτίσματα και τις συρματόβουρτσες για χαλαρά ή σπασμένα σύρματα. Σε περίπτωση που το ηλεκτρικό εργαλείο ή κάποιο χρησιμοποιήσιμο εργαλείο πέσει κάτω, τότε ελέγξτε το εργαλείο μήπως έχει υποστεί κάποια βλάβη ή χρησιμοποιήστε ένα άλλο, άωγο εργαλείο. Μετά τον έλεγχο και την τοποθέτηση του εργαλείου που πρόκειται να χρησιμοποιήσετε πρέπει να απομακρύνετε τυχόν παρευρισκόμενα πρόσωπα από το επίπεδο περιστροφής του εργαλείου, κι ακολουθώντας ν' αφήσετε το ηλεκτρικό εργαλείο να ερραστεί ένα λεπτό υπό το μέγιστο αριθμό στροφών χωρίς φορτίο. Τυχόν χαλασμένα εργαλεία σπάνε ως επί το πλείστον κατά τη διάρκεια αυτού του χρόνου δοκιμής.**

η) **Να φοράτε πάντοτε τη δική σας, ατομική προστατευτική ενδυμασία. Να χρησιμοποιείτε επίσης, ανάλογα με την εκάστοτε εργασία που εκτελείτε, προστατευτικές μάσκες, προστατευτικές διατάξεις ματιών ή προστατευτικά γυαλιά. Αν χρειαστεί, φορέστε και μάσκα προστασίας από σκόνη, ωσπατίδες προστατευτικά γάντια ή μια ειδική προστατευτική ποδιά, που θα σας προστατεύει από τυχόν εκσφενδονιζόμενα λειαντικά σωματίδια ή θραύσματα υλικού. Τα μάτια πρέπει να προστατεύονται από τυχόν αιωρούμενα σωματίδια που μπορεί δημιουργηθούν κατά την εκτέλεση των διάφορων εργασιών. Οι αναπνευστικές και οι προστατευτικές μάσκες πρέπει να φιλτράρουν τον αέρα και να συγκρατούν τη σκόνη που δημιουργείται κατά την εργασία. Σε περίπτωση που εκτεθείτε για πολύ χρόνο σε ισχυρό θόρυβο μπορεί να απωλέσετε την ακοή σας.**

ια) **Φροντίζετε, τυχόν παρευρισκόμενα άτομα να βρίσκονται πάντοτε σε ασφαλή απόσταση από τον τομέα που εργάζεσθε. Κάθε άτομο που μπαινεί στον τομέα που εργάζεσθε πρέπει να φορά προστατευτική ενδυμασία. Θραύσματα του υπό κατεργασία τεμαχίου ή σπασμένων εργαλείων μπορεί να εκσφενδονιστούν και να προκαλέσουν τραυματισμούς ακόμη κι εκτός του άμεσου τομέα εργασίας.**

ιβ) **Να πιάνετε το ηλεκτρικό εργαλείο μόνο από τις προβλεπόμενες γι' αυτό το σκοπό μονωμένες επιφάνειές του, όταν εκτελείτε εργασίες στις οποίες υπάρχει κίνδυνος το εργαλείο που χρησιμοποιείτε να συναντήσει ηλεκτροφόρους αγωγούς ή το δικό του ηλεκτρικό καλώδιο. Η επαφή μ' ένα ηλεκτροφόρο αγωγό θέτει τα μεταλλικά τμήματα του ηλεκτρικού εργαλείου επίσης υπό τάση και οδηγεί έτσι σε ηλεκτροπληξία.**

ιγ) **Να κρατάτε και να οδηγείτε το ηλεκτρικό καλώδιο σε ασφαλή απόσταση από τα περιστρεφόμενα εργαλεία. Σε περίπτωση που χάσετε τον έλεγχο του ηλεκτρικού εργαλείου το ηλεκτρικό καλώδιο μπορεί να κοπεί ή να περιπληχτεί και το χέρι σας ή το μπράτσο σας να τραβηχτεί επάνω στο περιστρεφόμενο εργαλείο.**

ιδ) **Μην αποθέσετε ποτέ το ηλεκτρικό εργαλείο πριν το τοποθετημένο εργαλείο πάψει εντελώς να κινείται. Το περιστρεφόμενο εργαλείο μπορεί να έρθει σε επαφή με την επιφάνεια στην οποία ακουμπήσατε το ηλεκτρικό εργαλείο κι έτσι να χάσετε τον έλεγχο του.**

ιε) **Μην αφήσετε ο ηλεκτρικό εργαλείο να εργάζεται όταν το μεταφέρετε. Τα ρούχα σας μπορεί να τυλιχτούν τυχαίως στο περιστρεφόμενο εργαλείο κι αυτό να τραυματίσει το σώμα σας.**

ισ) **Να καθαρίζετε τακτικά τις σχισμές αερισμού του ηλεκτρικού εργαλείου σας. Η περρωτή του κινητήρα τραβάει σκόνη μέσα στο περίβλημα και η συσσώρευση μεταλλικής σκόνης μπορεί να δημιουργήσει ηλεκτρικούς κινδύνους.**

ιστ) **Μη χρησιμοποιείτε το ηλεκτρικό εργαλείο κοντά σε εύφλεκτα υλικά. Ο σπινθηρισμός μπορεί να τα αναφλέξει.**

ιζ) **Μη χρησιμοποιείτε εργαλεία που απαιτούν ψύξη με ψυκτικά υγρά. Η χρήση νερού ή άλλων ψυκτικών υγρών μπορεί να οδηγήσει σε ηλεκτροπληξία.**

Κλότσημα και σχετικές προειδοποιητικές υποδείξεις

Το κλότσημα είναι μια απροσδόκητη αντίδραση όταν το περιστρεφόμενο εργαλείο, π. χ. ο δίσκος κοπής, ο δίσκος λείανσης, η συρματόβουρτσα κτλ., προσκρούσει κάποιο (σκονιόφυε) ή μπλοκάρει. Το σήνωμα ή το μπλοκάρισμα οδηγεί στην απότομη διακοπή της περιστροφής του εργαλείου. Έτσι, ένα τυχόν μη υπό έλεγχο ευρισκόμενο ηλεκτρικό εργαλείο αντιδρά στο σημείο μπλοκάριαματος/

πρόσκρουσης με σφοδρότητα και περιστρέφεται με συνεχώς αυξανόμενη ταχύτητα με αντίθετη από εκείνη του εργαλείου.

Όταν π. χ. ένας δίσκος κοπής σφηνώσει ή μπλοκάρει μέσα στο υπό κατεργασία υλικό, τότε η ακμή του δίσκου που βυθίζεται μέσα στο υλικό μπορεί να στρεβλώσει και ακολούθως ό δίσκος κοπής να πεταχτεί με ορμή και ανεξέλεγκτα από το υλικό ή να προκαλέσει κλότσημα. Όταν συμβεί αυτό ο δίσκος κοπής κινείται με κατεύθυνση προς το χειριστή/τη χειρίστρια ή και αντίθετα, ανάλογα με τη φορά περιστροφής στο σημείο μπλοκάριαματος. Σε τέτοιες περιπτώσεις δεν αποκλείεται ακόμη και το σπάσιμο των δίσκων κοπής.

Το κλότσημα είναι το αποτέλεσμα ενός εσφαλμένου ή ελλιπής χειρισμού του ηλεκτρικού εργαλείου και μπορεί να αποφευχθεί με λήψη κατάλληλων προληπτικών μέτρων, σαν αυτά που περιγράφονται παρακάτω.

α) **Να κρατάτε το ηλεκτρικό εργαλείο πάντοτε καλά και να πιάνετε με το σώμα σας μόνο θέσεις, στις οποίες θα μπορούσατε να αντιμετωπίσετε επιτυχώς ένα ενδεχόμενο κλότσημα. Να χρησιμοποιείτε πάντοτε την πρόσθετη λαβή, αν αυτή φυσικά υπάρχει, για να εξασφαλίσετε έτσι το μέγιστο δυνατό έλεγχο του ηλεκτρικού εργαλείου σε περίπτωση εμφάνισης αναστροφών και αντίρροπων δυνάμεων (π. χ. κλότσημα) κατά την εκκίνηση. Ο χειριστή/η χειρίστρια μπορεί να αντιμετωπίσει με επιτυχία τα κλότσηματα και τις αναστροφές ροτές.**

β) **Μη βάζετε ποτέ τα χέρια σας κοντά στα περιστρεφόμενα εργαλεία. Σε περίπτωση κλοτσηματος το εργαλείο μπορεί να περάσει πάνω από το χέρι σας.**

γ) **Μην πιάνετε με το σώμα σας θέσεις προς τις οποίες θα κινθεί το ηλεκτρικό εργαλείο σε περίπτωση κλοτσηματος. Κατά το κλότσημα το ηλεκτρικό εργαλείο κινείται ανεξέλεγκτα με κατεύθυνση αντίθετη προς τη φορά περιστροφής του δίσκου λείανσης στο σημείο μπλοκάριαματος.**

γ) **Να εργάζεσθε με ιδιαίτερη προσοχή σε γωνίες, κοφτερές ακμές κτλ. Φροντίζετε, το λειαντικό εργαλείο να μην αναπληθεί έξω από το υπό κατεργασία υλικό και να μη σφηνώσει σ' αυτό. Το περιστρεφόμενο λειαντικό εργαλείο σφηνώνει εύκολα κατά την εργασία σε γωνίες και σε κοφτερές ακμές ή όταν εκτινάσσεται. Αυτό προκαλεί κλότσημα ή απώλεια του ελέγχου.**

δ) **Μη χρησιμοποιείτε τσαπραζωμένες ή οδοντωτές πριονόλαμες. Τα εργαλεία αυτά προκαλούν συχνά κλότσημα ή οδηγούν σε απώλεια του ελέγχου του ηλεκτρικού εργαλείου.**

Ιδιαίτερες προειδοποιητικές υποδείξεις για λείανση και κοπή

α) **Να χρησιμοποιείτε αποκλειστικά λειαντικά σώματα που είναι κατάλληλα για το ηλεκτρικό εργαλείο σας και μόνο προφυλακτères που προβλέπονται γι' αυτά τα λειαντικά σώματα. Λειαντικά σώματα που δεν προβλέπονται για το ηλεκτρικό εργαλείο δεν μπορούν να καλυφτούν επαρκώς και γι' αυτό είναι ανασφαλή.**

β) **Να χρησιμοποιείτε πάντοτε τον προφυλακτήρα που προβλέπεται για τον τύπο του εκάστοτε λειαντικού σώματος. Ο προφυλακτήρας πρέπει να είναι ασφαλώς στερεωμένος στο ηλεκτρικό εργαλείο και να είναι ρυθμισμένος κατά τέτοιο τρόπο, ώστε έτσι να επιτυγχάνεται η μέγιστη δυνατή ασφάλεια, δηλαδή το τμήμα του λειαντικού εργαλείου που δείχνει προς το χειριστή/τη χειρίστρια να είναι όσο το δυνατό πιο μικρό. Ο προφυλακτήρας προστατεύει το χειριστή/τη χειρίστρια από τυχόν θραύσματα και αθέλητη επαφή με το λειαντικό σώμα.**

γ) **Τα λειαντικά σώματα πρέπει να χρησιμοποιούνται μόνο για τις εργασίες που αυτά προβλέπονται. >Π. χ.: Μην λειανείτε ποτέ με την πλευρική επιφάνεια ενός δίσκου κοπής. Οι δίσκοι κοπής προορίζονται για αφαίρεση υλικού μόνο με την ακμή τους. Αυτά τα λειαντικά σώματα μπορεί να σπάσουν όταν υποστούν πίεση από τα πλάγια.**

δ) **Να χρησιμοποιείτε πάντοτε άωγοις φλάντζες σύσφιξης με το σωστό μέγεθος και τη σωστή μορφή, ανάλογα με το δίσκο λείανσης που επιλέξατε. Οι κατάλληλες φλάντζες στηρίζουν το δίσκο λείανσης και μειώνουν έτσι τον κίνδυνο του σπασίματος των. Οι φλάντζες για δίσκους κοπής μπορεί να διαφέρουν από τις φλάντζες για άλλους δίσκους λείανσης.**

ε) **Μη χρησιμοποιείτε μεταχειρισμένους δίσκους λείανσης από μεγαλύτερα ηλεκτρικά εργαλεία. Δίσκοι λείανσης για μεγαλύτερα λειαντικά εργαλεία δεν είναι κατάλληλοι για τους**

υψηλότερους αριθμούς στροφών των μικρότερων ηλεκτρικών εργαλείων και γι' αυτό μπορεί να σπάσουν.

Συμπληρωματικές προειδοποιητικές υποδείξεις για δίσκους κοπής

α) Να αποφεύγετε το μπλοκάρισμα των δίσκων κοπής καιή την άσκηση πολύ υψηλής πίεσης. Να μη διεξάγετε τομές υπερβολικού βάθους. Η υπερβολική επιβάρυνση του δίσκου κοπής αυξάνει τη μηχανική παραμόρφωση του και τον κίνδυνο στρέβλωσης κι έτσι και τις πιθανότητες κλοστήματος ή σπασίματος του λειαντικού σώματος.

β) Να αποφεύγετε την περιοχή μπροστά και πίσω από τον περιστρεφόμενο δίσκο κοπής. Όταν στρώχετε το δίσκο κοπής μέσα στο υπό καταργασία τεμάχιο τότε, σε περίπτωση κλοστήματος, το ηλεκτρικό εργαλείο με τον περιστρεφόμενο δίσκο μπορεί να εκσφενδονιστεί κατευθείαν επάνω σας.

γ) Όταν ο δίσκος κοπής μπλοκάρει ή όταν διακόπτετε την εργασία σας πρέπει να θέτετε το ηλεκτρικό εργαλείο εκτός λειτουργίας και ακολουθώς να το κρατάτε ήρεμα μέχρι ο δίσκος κοπής να σταματήσει εντελώς να κινείται. Μην προσπαθήσετε ποτέ να βγάλετε το δίσκο κοπής από το υλικό όταν αυτός κινείται ακόμη, διαφορετικά υπάρχει κίνδυνος κλοστήματος. Εξοκριβώστε κι εξουδετερώστε την αιτία του μπλοκαρίσματος.

δ) Μη θέσετε το ηλεκτρικό εργαλείο πάλι σε λειτουργία όσο ο δίσκος κοπής βρίσκεται ακόμη μέσα στο υπό καταργασία τεμάχιο. Αφήστε το δίσκο κοπής να αποκτήσει το μέγιστο αριθμό στροφών πριν συνεχίσετε προσεκτικά την κοπή. Διαφορετικά ο δίσκος μπορεί να σφηνώσει, να πεταχτεί με ορμή έξω από το υπό καταργασία υλικό ή να προκαλέσει κλότσημα.

ε) Πλάκες, ή άλλα μεγάλα υπό καταργασία τεμάχια, πρέπει να υποστηρίζονται για να ελαττωθεί ο κίνδυνος κλοστήματος από έναν τυχόν μπλοκαρισμένο δίσκο κοπής. Μεγάλα υπό καταργασία τεμάχια μπορεί να λυγίσουν κάτω από το ίδιο τους το βάρος. Το υπό καταργασία τεμάχιο πρέπει να υποστηριχτεί και στις δυο πλευρές του, και κοντά στην τομή κοπής και στην ακμή του.

στ) Να είστε ιδιαίτερα προσεκτικοί/προσεκτικές όταν διεξάγετε «κοπές βυθίσματος» σε τοίχους ή άλλους μη εμποτισμένους τομείς. Ο βυθιζόμενος δίσκος κοπής μπορεί να κόψει σωλήνες φωταερίου (γκάζου) ή νερού, ηλεκτρικές γραμμές ή αντικείμενα που μπορεί να προκαλέσουν κλότσημα.

Ιδιαίτερες προειδοποιητικές υποδείξεις για εργασίες λείανσης με σμυριδόχαρτο

α) Μη χρησιμοποιείτε υπερμεγέθη σμυριδόφυλλα αλλά τηρείτε τις συστάσεις του κατασκευαστή για το μέγεθος των σμυριδόφυλλων. Σμυριδόφυλλα που προεξέχουν από το δίσκο λείανσης μπορεί να προκαλέσουν τραυματισμούς, να οδηγήσουν σε μπλοκάρισμα, να σχιστούν ή να προκαλέσουν κλότσημα.

Ιδιαίτερες προειδοποιητικές υποδείξεις για εργασίες με συρματόβουρτσες

α) Να λαμβάνετε πάντοτε υπόψη σας ότι οι συρματόβουρτσες χάνουν σύρματα κατά τη διάρκεια της κανονικής τους χρήσης. Να μην ασκείτε υπερβολική πίεση για να μην επιβαρύνονται υπερβολικά τα σύρματα. Τυχόν εκσφενδονιζόμενα τεμάχια συρμάτων μπορεί να διατρυπήσουν όχι μόνο λεπτά ρούχα αλλά καιή το δέρμα σας.

β) Όταν προτείνεται η χρήση προφυλακτήρα πρέπει να φροντίσετε, τα σύρματα της βούρτσας να μην εγγίζουν τον προφυλακτήρα. Η διάμετρος των δισκοειδών και των ποτηροειδών βουρτσών μπορεί να μεγαλώσει εξαπίας της ασκούμενης πίεσης και της ανάπτυξης κεντρόφυγων δυνάμεων.

Καμπύλοι δίσκοι λείανσης πρέπει να τοποθετούνται στην συσκευή με τέτοιο τρόπο ώστε η επιφάνεια λείανσης να απέχει τουλάχιστον 2 mm από το επίπεδο του προστατευτικού καλύμματος.

Οι πρίζες στους εξωτερικούς χώρους πρέπει να είναι εξοπλισμένες με μικροαυτόματους διακόπτες προστασίας (FI, RCD, PRCD). Αυτό απαιτεί ο σχετικός κανονισμός από την ηλεκτρική σας εγκατάσταση. Προσέξτε παρακαλώ αυτό το σημείο κατά τη χρήση της συσκευής μας.

Τα γρέζια ή τα σκλήθρες δεν επιτρέπεται να απομακρύνονται με κινούμενη τη μηχανή.

Συνδέστε τη μηχανή στην πρίζα μόνο, εφόσον βρίσκεται απενεργοποιημένη.

Μην απλώνετε τα χέρια σας στην επικίνδυνη περιοχή της κινούμενης μηχανής.

Χρησιμοποιείτε πάντοτε την πρόσθετη χειρολαβή.

Θέστε τη συσκευή αμέσως εκτός λειτουργίας, όταν παρουσιαστούν σημαντικοί κραδασμοί ή διαπιστωθούν άλλα ελαττώματα. Ελέγξτε τη μηχανή, για να διαπιστώσετε την αιτία.

Χρησιμοποιείτε και φυλάγετε τους δίσκους λείανσης πάντοτε σύμφωνα με τα στοιχεία του κατασκευαστή.

Κατά την λείανση/τρόχισμα των μετάλλων δημιουργούνται σπινθήρες. Προσέξτε, να μην τεθεί σε κίνδυνο κανένα άτομο. Λόγω του κινδύνου πυρκαγιάς δεν επιτρέπεται να βρίσκεται κοντά εύφλεκτα υλικά (περιοχή εκτόξευσης των σπινθήρων). Μη χρησιμοποιείτε καμία διάταξη αναρρόφηση σκόνης.

Κρατάτε τη συσκευή πάντοτε έτσι, ώστε οι σπινθήρες ή τα ρινίσματα τροχίσματος να απομακρύνονται από το σώμα σας.

Για το κόψιμο πέτρας είναι υποχρεωτική η χρήση του πέλματος οδηγήγησης.

Το φλαντζωτό παξιμάδι πρέπει να έχει σφικτεί πριν τη θέση σε λειτουργία της μηχανής.

Το προς επεξεργασία κομμάτι πρέπει να σφικτεί καλά, όταν δεν μπορεί να κρατηθεί με το ίδιο του το βάρος. Μην κρατάτε ποτέ το επεξεργαζόμενο κομμάτι με το χέρι ενάντια στο δίσκο.

Σε ακραίες συνθήκες χρήσης (π. χ. ξεχόνδρισμα μετάλλων με τον ελαστικό δίσκο και τα λειαντικά φίλμπερ) μπορεί να αναπτυχθεί πολύ βρομιά στο εσωτερικό του γωνιακού τροχού. Σε τέτοιες συνθήκες χρήσης απαιτείται για λόγους ασφαλείας ένας επιμελής καθαρισμός στο εσωτερικό από τις εναποθέσεις μετάλλου και οπωσδήποτε η σύνδεση σ' ένα διακόπτη προστασίας σφάλματος γείωσης (GFCI). Μετά από μια ενεργοποίηση του διακόπτη προστασίας σφάλματος γείωσης (GFCI) πρέπει το εργαλείο να αποσταλεί για επισκευή.

Για εργαλεία στα οποία προσαρμόζεται τροχός με σπειρωτή οπή, βεβαιωθείτε ότι το σπείρωμα στον τροχό έχει αρκετό μήκος ώστε να ανταποκρίνεται στο μήκος του άξονα.

Για εργασίες κοπής χρησιμοποιείτε κλειστό προφυλακτήρα από το πρόγραμμα πρόσθετων εξαρτημάτων.

ΧΡΗΣΗ ΣΥΜΦΩΝΑ ΜΕ ΤΟ ΣΚΟΠΟ ΠΡΟΟΡΙΣΜΟΥ

Ο γωνιακός τροχός μπορεί να χρησιμοποιηθεί για το κόψιμο και το ξεχόνδρισμα πολλών υλικών, όπως π. χ. μέταλλο ή πέτρα, καθώς επίσης για τη λείανση με συνθετικό δίσκο λείανσης και για εργασίες με βούρτσας από αταλόδουρμα. Σε περίπτωση αμφιβολιών προσέχετε τις υποδείξεις του κατασκευαστή των πρόσθετων εξαρτημάτων.

Αυτή η συσκευή επιτρέπεται να χρησιμοποιηθεί μόνο σύμφωνα με τον αναφερόμενο σκοπό προορισμού.

ΔΗΛΩΣΗ ΠΙΣΤΟΤΗΤΑΣ ΕΚ

Δηλώνουμε υπεύθυνα ότι το προϊόν που περιγράφεται στο κεφάλαιο «Τεχνικά χαρακτηριστικά» είναι συμβατό με τις διατάξεις της Κοινοτικής Οδηγίας 2011/65/EU (RoHS), 2004/108/EE, 2006/42/EE και με τα ακόλουθα εναρμονισμένα κανονιστικά έγγραφα:

EN 60745-1:2009+A11:2010

EN 60745-2-3:2010

EN 55014-1:2006+A1:2009+A2:2011

EN 55014-2:1997+A1:2001+A2:2008

EN 61000-3-2:2006+A1:2009+A2:2009

EN 61000-3-3:2008



Winnenden, 2013-08-26

Alexander Krug

Alexander Krug
Managing Director

Εξουσιοδοτημένος να συντάξει τον τεχνικό φάκελο.

Techronic Industries GmbH
Max-Eyth-Straße 10
71364 Winnenden

ΣΥΝΔΕΣΗ ΣΤΟ ΗΛΕΚΤΡΙΚΟ ΔΙΚΤΥΟ

Συνδέστε μόνο σε μονοφασικό εναλλασσόμενο ρεύμα και μόνο σε τάση δικτύου όπως αναφέρεται στην πινακίδα τεχνικών χαρακτηριστικών. Η σύνδεση είναι επίσης εφικτή σε πρίζες χωρίς προστασία επαφής, διότι υπάρχει μια δομή της κατηγορίας προστασίας II.

ΣΥΝΔΕΣΜΟΣ ΑΣΦΑΛΕΙΑΣ

Σε μπλέξιμο ή ξαφνικό μπλοκάρισμα του εργαλείου εφαρμογής ο σύνδεσμος ασφαλείας αποσυνδέει την άρρακτο εργασίας από τον κινητήρα. Το εργαλείο εφαρμογής ακινητοποιείται και προστατεύει έτσι το χειριστή από αναπήδηση. Μετά την αποσυνφόρηση το εργαλείο εφαρμογής αρχίζει πάλι να περιστρέφεται μέχρι να αναπτύξει τις στροφές λειτουργίας και μπορεί να συνεχιστεί η εργασία. Ανεξάρτητα από αυτό πρέπει να τηρούνται οι περιγραφόμενες υποδείξεις ασφαλείας.

ΠΡΟΣΤΑΣΙΑ ΕΠΑΝΕΚΚΙΝΗΣΗΣ

Μηχανές με ασφαλιζόμενο διακόπτη είναι εξοπλισμένες με μια προστασία έναντι επανεκκίνησης. Αυτή αποτρέπει την επανεκκίνηση της μηχανής μετά από μια πώση του ηλεκτρικού ρεύματος. Σε νέα έναρξη της εργασίας απενεργοποιείτε τη μηχανή και ενεργοποιείτε εκ νέου.

ΠΕΡΙΟΡΙΣΜΟΣ ΡΕΥΜΑΤΟΣ ΕΚΚΙΝΗΣΗΣ

Το ρεύμα ενεργοποίησης της μηχανής ανέρχεται σε ένα πολλαπλάσιο του ονομαστικού ρεύματος. Μέσω του περιορισμού του ρεύματος εκκίνησης μειώνεται το ρεύμα ενεργοποίησης τόσο πολύ, ώστε μία ασφάλεια (16 Α αδρανές) να μην ανταποκρίνεται.

ΣΥΝΤΗΡΗΣΗ

Αν το καλώδιο παροχής ρεύματος της συσκευής έχει υποστεί ζημιά πρέπει να αντικατασταθεί από ένα ειδικά για αυτόν τον σκοπό προετοιμασμένο καλώδιο το οποίο μπορείτε να προμηθευτείτε από την εξυπηρέτηση πελατών.

Διατηρείτε πάντοτε τις σχισμές εξαερισμού στη μηχανή καθαρές.

Χρησιμοποιείτε μόνο εξαρτήματα και ανταλλακτικά της Milwaukee. Αναθέστε την αλλαγή των εξαρτημάτων, των οποίων η αντικατάσταση δεν έχει περιγραφεί, σ' ένα κέντρο σέρβις της Milwaukee (προσέξτε το εγχειρίδιο Εγγύησης/Διευθύνσεις εξυπηρέτησης πελατών).

Σε περίπτωση που το χρειαστείτε μπορείτε να παραγγείλετε λεπτομερές σχέδιο της συσκευής αναφέροντας τον τύπο και τον εξαψήφιο αριθμό που βρίσκεται στην πινακίδα τεχνικών χαρακτηριστικών από την εξυπηρέτηση πελατών ή απευθείας από την Techronic Industries GmbH, διεύθυνση Max-Eyth-Straße 10, 71364 Winnenden, Germany.

ΣΥΜΒΟΛΑ



Παρακαλώ διαβάστε σχολαστικά τις οδηγίες χρήσης πριν από την έναρξη λειτουργίας.



Στις εργασίες με τη μηχανή φοράτε πάντοτε προστατευτικά γυαλιά.



Πριν από κάθε εργασία στη μηχανή τραβάτε το φιν από την πρίζα.



Εξαρτήματα - Δεν περιλαμβάνονται στα υλικά παράδοση, συνητούμενη προσθήκη από το πρόγραμμα εξαρτημάτων.

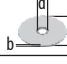




Μην πετάτε τα ηλεκτρικά εργαλεία στον κάδο οικιακών απορριμμάτων! Σύμφωνα με την ευρωπαϊκή οδηγία 2002/96/ΕΚ περί ηλεκτρικών και ηλεκτρονικών συσκευών και την ενσωμάτωση της στο εθνικό δίκαιο, τα ηλεκτρικά εργαλεία πρέπει να συλλέγονται ξεχωριστά και να πιστρέφονται για ανακύκλωση με τρόπο φιλικό προς το περιβάλλον.



Ηλεκτρικό εργαλείο κατηγορίας ασφάλειας II.

Ηλεκτρικό εργαλείο στο οποίο η προστασία από ηλεκτροπληξία δεν εξαρτάται μόνο από την βασική μόνωση αλλά και από συμπληρωματικά μέτρα ασφαλείας όπως σπινθή ή ενισχυμένη μόνωση. Δεν υπάρχει εξοπλισμός για να συνδεθεί με την γείωση.

TEKNİK VERİLER	AGVM 24-230 GEX	AGVM 26-230 GEX
Açı taşlama aleti		
Üretim numarası	4026 50 01... 4026 61 01... ...000001-999999	4026 67 01... 4026 55 01... ...000001-999999
Giriş gücü	2400 W	2600 W
Devir sayısı	6600 min ⁻¹	6600 min ⁻¹
 D=Taşlama disk çapı maksimum b=Taşlama disk kalınlığı maksimum d=Delik ø	D= max 230 mm b= max 6 mm (1/4") d= 22,2 mm	D= max 230 mm b= max 6 mm (1/4") d= 22,2 mm
 D=Taşlama yüzeyi çapı maksimum	D= max 230 mm	D= max 230 mm
 D=Saçaklı çanak fırça çapı maksimum	D= max 100 mm	D= max 100 mm
Mil dişi	M14	M14
Ağırlığı ise EPTA-üretici 01/2003'e göre.	5,8 kg	5,8 kg
Gürültü/Vibrasyon bilgileri Ölçüm değerleri EN 60 745 e göre belirlenmektedir. Aletin, frekansa bağımlı uluslararası ses basıncı seviyesi değerlendirme eğrisi A'ya göre tipik gürültü seviyesi: Ses basıncı seviyesi (K=3dB(A)) Akustik kapasite seviyesi (K=3dB(A))	93 dB(A) 104 dB(A)	93 dB(A) 104 dB(A)
Koruyucu kulaklık kullanın! Toplam titreşim değeri (üç yönün vektör toplamı) EN 60745'e göre belirlenmektedir. Kaba taşlama: titreşim emisyon değeri ah Tolerans K Zımpara kağıdı ile zımparalama titreşim emisyon değeri ah Tolerans K Diğer uygulamalarda, örneğin çelik tel fırça ile ayırarak taşlama veya taşlama işleminde başka vibrasyon değerleri ortaya çıkabilir!	2,5 m/s ² 1,5 m/s ² < 2,5 m/s ² 1,5 m/s ²	2,5 m/s ² 1,5 m/s ² < 2,5 m/s ² 1,5 m/s ²

UYARI

Bu talimatlarda belirtilen titreşim seviyesi, EN 60745 standardına uygun bir ölçme metodu ile ölçülmüştür ve elektrikli el aletleri birbiriyle karşılaştırmak için kullanılabilir. Ölçüm sonuçları ayrıca titreşim yükünün geçici değerlendirmesi için de uygundur.

Belirtilen titreşim seviyesi, elektrikli el aletinin genel uygulamaları için geçerlidir. Ancak elektrikli el aleti başka uygulamalar için, farklı eklenti parçalarıyla ya da yetersiz bakım koşullarında kullanılırsa, titreşim seviyesi farklılık gösterebilir. Bu durumda, titreşim yükü toplam çalışma zaman aralığı içerisinde belirgin ölçüde yükselebilir.

Titreşim yükünün tam bir değerlendirmesi için ayrıca cihazın kapalı olduğu süreler ve cihazın çalışır durumda olduğu, ancak gerçek kullanımda bulunmadığı süreler de dikkate alınmalıdır. Böylelikle, toplam çalışma zamanı aralığı boyunca meydana gelen titreşim yükü belirgin ölçüde azaltılabilir.

Kullanıcıyı titreşimlerin etkisinden korumak üzere, örneğin elektrikli el aletlerinin ve eklenti parçalarının bakımı, ellerin sıcak tutulması ve iş akışlarının organizasyonu gibi ek güvenlik tedbirleri belirleyiniz.

UYARI! Güvenlikle ilgili bütün açıklamaları, talimatları ve ilişikteki broşürde yazılı bulunan hususları okuyunuz. Açıklanan uyarılara ve talimat hükümlerine uyulmadığı takdirde elektrik çarpmalarına, yangınlara ve/veya ağır yaralanmalara neden olunabilir.
Bütün uyarıları ve talimat hükümlerini ileride kullanmak üzere saklayın.

AÇILI TAŞLAYICI İÇİN GÜVENLİK UYARILARI

Taşlama, zımpara kağıdı ile taşlama, tel fırçalar ve bileyerek kesme işleri için birlikte geçerli olan güvenlik uyarıları

a) Bu elektrikli alet taşlama, zımpara kağıdı ile taşlama, tel fırça ve bileyerek kesme işleri için kullanılır. Elektrikli alet ile birlikte aldığınız bütün güvenlik uyarılarını, talimatları, gösterimlere ve verilere dikkat ediniz. Aşağıdaki talimatlarla uymadığınızda elektrik çarpması, yangın ve/veya ağır yaralanmalar meydana gelebilir.

b) Bu elektrikli el aleti polisaj yapmaya uygun değildir. Elektrikli alet için öngörülmemiş kullanımlar risklere ve yaralanmalara sebebiyet verebilir.

c) Üretici tarafından özel olarak bu alet öngörülmemiş ve tavsiye edilmeyen aksesuar kullanmayın. Bir aksesuarı elektrikli el aletinize takabiliyor olmanız güvenli kullanımı garanti etmez.

d) Kullanılan ucun müsaade edilen devir sayısı en azından elektrikli el aletinin tip etiketinde belirtilen devir sayısı kadar olmalıdır. Müsaade edilenden hızlı dönen aksesuar kırılabilir ve etrafa yayılabilir.

e) Kullanılan ucun dış çapı ve kalınlığı elektrikli el aletinizin ölçülerine uymalıdır. Ölçüsü uygun olmayan uçlar yeteri derecede kapatılamaz veya kontrol edilemez.

f) Taşlama diskleri, flanşlar, zımpara tablaları veya diğer aksesuar elektrikli el aletinizin taşlama miline tam olarak uymalıdır. Elektrikli el aletinizin taşlama miline tam olarak uymayan uçlar düzensiz döner, aşırı titreşim yapar ve aletin kontrolünün kaybedilmesine neden olabilir.

g) Hasarlı uçları kullanmayın. Her kullanımdan önce taşlama disklerinde çatlak ve çizik olup olmadığını, zımpara tablalarında çizik ve aşınma olup olmadığını, tel fırçalarda gevşeme veya kırık teller olup olmadığını kontrol edin. Elektrikli el aleti veya uç yere düşecek

olursa hasar görüp görmediklerini kontrol edin, gerekiyorsa hasar görmemiş başka bir uç kullanın. Kullanacağınız ucun kontrol edip taktıktan sonra ucun dönme alanı yakınında bulunan kişileri uzaklaştırın ve elektrikli el aletini bir dakika en yüksek devir sayısında çalıştırın. Hasarlı uçlar çoğu zaman bu test süresinde kırılır.

h) Kişisel koruyucu donanım kullanın. Yaptığınız işe göre tam yüz siperliği, göz koruma donanımı veya koruyucu gözlük kullanın. Eğer uygunsa küçük taşlama ve malzeme parçacıklarına karşı koruma sağlayan toz maskesi, koruyucu kulaklık, koruyucu iş eldivenleri veya özel iş önlüğü kullanın. Gözler çeşitli uygulamalarda etrafa savrulan parçacıklardan korunmalıdır. Toz veya soluma maskesi çalışma sırasında ortaya çıkan tozları filtre eder. Uzun süre yüksek gürültü altında çalışırsanız işitme kaybına uğrayabilirsiniz.

i) Başkalarının çalıştığınız yerden güvenli uzaklıkta olmasına dikkat edin. Çalışma alanınıza girmek zorunda olan herkes koruyucu donanım kullanmalıdır. İş parçasının veya ucun kırılması sonucu ortaya çıkan parçacıklar etrafa savrulurak çalışma alanınızın dışındaki kişileri de yaralayabilir.

j) Çalışırken alet ucunun görünmeyen elektrik akımı ileten kablolarla veya aletin kendi şebeke kablosuna temas etme olasılığı varsa elektrikli el aletini sadece izolasyonlu tutamağınızdan tutun. Elektrik gerilimi ileten kablolarla temasa gelinince elektrikli el aletinin metal parçaları da elektrik gerilimine maruz kalır ve elektrik çarpmasına neden olur.

k) Şebeke bağlantı kablosunu dönen uçlardan uzak tutun. Elektrikli el aletinin kontrolünü kaybederseniz, şebeke bağlantı kablosu ayrılabilir veya uç tarafından tutulabilir ve el veya kollarınız dönmekte olan uca temas edebilir.

l) Uç tam olarak durmadan elektrikli el aletini elinizden bırakmayın. Dönmekte olan uç aleti bırakcağınız yüzeye temas edebilir ve elektrikli el aletinin kontrolünü kaybedebilirsiniz.

m) Elektrikli el aletini çalışır durumda taşımayın. Giysileriniz rastlantı sonucu dönmekte olan uç tarafından tutulabilir ve uç bedeninize temas edebilir.

n) Elektrikli el aletinizin havalandırma deliklerini düzenli olarak temizleyin. Motor fanı tozu gövdeye çeker ve metal tozunun aşırı birikimi elektrik çarpmaya tehlikesini ortaya çıkarır.

o) Elektrikli el aletini yanıcı malzemenin yakınında kullanmayın. Kıvılcımlar bu malzemeyi tutuşturabilir.

p) Sıvı soğutucu madde gerektiren uçları kullanmayın. Suyun veya diğer sıvı soğutucu maddenin kullanımı elektrik çarpmasına neden olabilir.

Geri tepme ve buna ait uyarılar

Geri tepme, dönmekte olan taşlama disk, zımpara tablası, tel fırça ve benzeri uçların takılması veya bloke olması sonucu ortaya çıkan ani tepkidir. Takılma ve blokaj dönmekte olan ucun ani olarak durmasına neden olur. Bu gibi durumlarda elektrikli el aleti blokaj yerinden ucun dönme yönünün tersine doğru savrulur.

Örneğin bir taşlama disk iş parçası içinde takılır veya bloke olursa, taşlama diskinin içine giren kenarı tutulur ve disk kırılır veya geri tepme kuvvetinin ortaya çıkmasına neden olur. Bu durumda taşlama disk blokaj yerinden, diskin dönme yönüne bağlı olarak kullanıcıya doğru veya kullanıcının tersine hareket eder. Bu gibi durumlarda taşlama disklerinin kırılma olasılığı da vardır.

Geri tepme kuvveti elektrikli el aletinin yanlış veya hatalı kullanımı sonucu ortaya çıkar. Geri tepme kuvvetleri aşağıda açıklanan koruyucu önlemlerle önlenir.

a) Elektrikli el aletini sıkıca tutun ve bedeniniz ile ellerinizi geri tepme kuvvetlerini rahatça karşılayabilecek duruma getirin. Alet hızlanırken ortaya çıkabilecek geri tepme kuvvetlerini veya reaksiyon momentlerini optimal ölçüde karşılayabilmek için eğer varsa her zaman ek tutamağı kullanın. Kullanıcı uygun

önlemler olarak geri tepme ve reaksiyon kuvvetlerine hakim olabilir.

b) Elinizi hiçbir zaman dönen ucun yakınına getirmeyin. Uç geri tepme sırasında elinize doğru hareket edebilir.

c) Bedeninizi geri tepme sırasında elektrikli el aletinin hareket edebileceği alandan uzak tutun. Geri tepme kuvveti elektrikli el aletini blokaj yerinden taşlama diskinin dönme yönünün tersine doğru iter.

d) Özellikle köşeleri, keskin kenarları ve benzerlerini işlerken dikkatli olun. Ucun iş parçasından dışarı çıkmasını ve takılıp sıkışmasını önleyin. Dönmekte olan uç köşelerde, keskin kenarlarda çalışırken sıkışmaya eğilimlidir. Bu işe kontrol kaybına veya geri tepmeye neden olur.

e) Zincir veya dişli testere bıçağı kullanmayın. Bu gibi uçlar sık sık geri tepme kuvvetine veya elektrikli el aletinin kontrolünün kaybedilmesine neden olur.

Taşlama ve kesici taşlama için özel uyarılar

a) Sadece elektrikli el aletiniz için müsaade edilen taşlama uçlarını ve bu uçlar için öngörülen koruyucu kapağı kullanın. Bu elektrikli el aleti için öngörülmemiş taşlama uçları yeterli ölçüde kapatılmazlar ve güvenli değildirler.

b) Daima taşlama ucunun türüne uygun koruyucu kapak kullanın. Koruyucu kapak elektrikli el aletine güvenli biçimde takılmış olmalı ve en yüksek güvenliği sağlayacak biçimde ayarlanmış olmalıdır. Taşlama ucunun mümkün olan en küçük kısmı açıkta kalmalı ve kullanıcıyı göstermelidir. Koruyucu kapağın işlevi kullanıcıyı kırılan parçacıklardan ve taşlama ucu ile tesadüfi temastan korumaktır.

c) Taşlama uçları sadece tavsiye edilen uygulamalarda kullanılabilir. Örneğin: Bir kesme diskinin kenarı ile hiçbir zaman taşlama yapmayın. Kesici taşlama diskleri uçları ile malzeme kazıma için geliştirilmiştir. Bu uçlara yandan baskı uygulandığında kırılabilirler.

d) Seçtiğiniz taşlama disk iş daima hasar görmemiş doğru büyüklük ve biçimde germe flanş kullanın. Uygun flanşlar taşlama disklerini destekler ve kırılma tehlikesini önlerler. Kesici taşlama diskleri için öngörülen flanşlar diğer uçlara ait flanşlardan farklı olabilir.

e) Büyük elektrikli el aletlerini ait yıpranmış taşlama disklerini kullanmayın. Büyük elektrikli el aletlerinde kullanılan taşlama diskleri yüksek devirli küçük el aletlerinde kullanılmaya elverişli değildirler ve kırılabilirler.

Kesici taşlama için diğer özel uyarılar

a) Kesici taşlama diskinin bloke olmamasını sağlayın veya bu diske yüksek bastırma kuvveti uygulamayın. Aşırı derinlikte kesme yapmayın. Kesici taşlama ucuna aşırı yüklenme açıldığında yapılmasına veya blokaja neden olabilir ve bunun sonunda da geri tepme kuvveti oluşabilir veya taşlama ucu kırılabilir.

b) Dönmekte olan kesici taşlama diskinin ön ve arka alanına yaklaşmayın. Kesici taşlama diskini iş parçasından dışarı çıkarırsanız bir geri tepme kuvveti oluştuğunda dönen disk size doğru savrulabilir.

c) Kesici taşlama disk sıkışacak olursa veya siz işe ara verirken elektrikli el aletini kapatın ve disk tam olarak duruncaya kadar aleti sakın biçimde tutun. Dönmekte olan kesici taşlama diskini hiçbir zaman kesme yerinden çıkarmaya denemeyin, aksi takdirde geri tepme kuvveti oluşabilir. Sıkışmanın nedenini tespit edin ve giderin.

d) Elektrikli el aleti iş parçası içinde bulunduğu sürece onu tekrar çalıştırmayın. Kesme işine dikkatli biçimde devam etmeden önce kesme diskinin en yüksek devire ulaşmasını bekleyin. Aksi takdirde disk takılabilir, iş parçasından çıkabilir veya bir geri tepme kuvveti oluşabilir.

e) Kesici taşlama diskinin sıkışması sonucu oluşabilecek geri tepme kuvvetlerini önlemek için büyük

levha veya iş parçalarını destekleyin. Büyük iş parçaları kendi ağırlıkları ile bükülebilir. Büyük iş parçaları iki yandan desteklenmelidir, hem kesme hattının yakınından hem de kenardan.

f) Duvarlar veya diğer görülmeyen alanların olduğu yerlerde özellikle "cep kesmelerinde" dikkatli olun. Malzeme içine dalan kesici taşlama diskleri kesme işlemi sırasında gaz veya su borularına, elektrik kablolarına veya diğer nesnelere rastlayarak geri tepme kuvveti oluşturabilirler.

Zımpara kağıtları ile çalışmaya ait özel uyarılar

a) Boyutları yüksek zımpara kağıtlarını kullanmayın, zımpara kağıtları için üreticinin verilerine uyun. Zımpara tablasından dışarı çıkıntı yapan zımpara kağıtları yaralanmalara neden olabilirler, blokaja neden olabilirler, yırtılabilirler veya geri tepme kuvvetlerinin oluşmasına neden olabilirler.

Tel fırça ile çalışmaya ait özel uyarılar

a) Tel fırçanın normal kullanım koşullarında da tellerini kaybettiğini dikkate alın. Fazla bastırma kuvveti uygulayarak telleri zorlamayın. Kopan ve fırlayan tel parçaları rahatlıkla giysi veya derinizden içeri girebilir.

b) Koruyucu kapak kullanırken koruyucu kapakla tel fırçanın birbirine temas etmesini önleyin. Tabla veya çanak biçimli fırçalar bastırma ve merkezkaç kuvvetleri nedeniyle çaplarını büyütebilir.

Bombeli taşlama diskleri, taşlama yüzeyi koruyucu kapak kenarı seviyesinin 2 mm altında kalacak şekilde monte edilmelidir.

Açık havadaki prizler hatalı akım koruma şalteri (FI, RCD, PRCD) ile donatılmış olmalıdır. Bu, elektrik tesisatınızdaki bir zorunluluktur. Lütfen aletimizi kullanırken bu hususa dikkat edin.

Alet çalışır durumda iken talaş ve kırpıntıları temizlemeye çalışmayın.

Aleti sadece kapalı iken prize takın.

Aletin tehlikeli olabilecek bölümlerini tutmayın.

Daima ilave sapı kullanın.

Hissedilir ölçüde titreşim oluşmaya başlarsa veya normal olmayan başka aksaklıklar ortaya çıkarsa aleti hemen kapatın. Bu aksaklıkların nedenini belirlemek için aleti kontrol edin.

Taşlama disklerini daima üreticinin talimatına uygun olarak kullanın ve saklayın.

Taşlama işlemi sırasında ortaya çıkan kıvılcımlara dikkat edin, yanıcı malzemeler tutuşabilir.

Aleti daima, kıvılcımlar veya taşlama tozu bedeninizden uzaklaşacak biçimde tutun.

Taşları keserken kılavuz kızağın kullanılması zorunludur.

Flanşlı somunu aleti işleme almadan önce iyice sıkın.

Kendi ağırlığı ile güvenli biçimde durmuyorsa iş parçasının uygun bir tertibatla sıkıca tespit edilmesi gerekir. İş parçasını hiçbir zaman elinizle diske doğru tutmayın.

Aşırı kullanım koşullarında (örneğin destek levhali metallerin ve volkan ateşli taşlama levhalarının düz olarak taşlanması) açılı taşlamasının iç kısmında kuvvetli bir kirlenme oluşabilir. Böyle kullanım koşullarında güvenlik sebeplerinden dolayı iç bölüm metal çöküntülerinden esaslı bir şekilde temizlenmeli ve hatalı elektrik akımı (FI) koruyucu şalterin zorunlu olarak deneme devresine sokulması gerekir. FI koruyucu şalteri okutturulduktan sonra makinenin tamir edilmek üzere gönderilmesi gerekir.

Klavuz delikli teker takılacak olan aletlerde, tekerdeki klavuzun mil uzunluğunu kabul edecek kadar uzun olmasına dikkat edin.

Ayırma işleri için aksam programından kapalı koruma şapkası kullanın.

KULLANIM

Açı taşlama aleti pek çok malzemenin ayırma ve kaba taşlama işlerinde kullanılır, örneğin metal veya taş ve plastik taşlama tabağı ile taşlama ve çelik tel fırça ile çalışırken.

Bu alet sadece belirtildiği gibi ve usulüne uygun olarak kullanılabilir.

CE UYGUNLUK BEYANI

Tek sorumlu olarak "Teknik Veriler" bölümünde tarif edilen ürünün 2011/65/EU (RoHS), 2004/108/EC, 2006/42/EC sayılı direktifin ve aşağıdaki harmonize temel belgelerin bütün önemli hükümlerine uygun olduğunu beyan etmekteyiz:

EN 60745-1:2009+A11:2010

EN 60745-2-3:2011

EN 55014-1:2006+A1:2009+A2:2011

EN 55014-2:1997+A1:2001+A2:2008

EN 61000-3-2:2006+A1:2009+A2:2009

EN 61000-3-3:2008



Winnenden, 2013-08-26

Alexander Krug
Managing Director

Teknik evrakları hazırlamakla görevlendirilmiştir.

Techtronic Industries GmbH
Max-Eyth-Straße 10
71364 Winnenden

ŞEBEKE BAĞLANTISI

Aleti sadece tek fazlı alternatif akıma ve tip etiketi üzerinde belirtilen şebeke gerilimine bağlayın. yapısı Koruma sınıfı II'ye girdiğinden alet koruyucu kontaksız prize de bağlanabilir.

GÜVENLİK BAĞLANTISI

Kullanmakta olduğunuz cihazın takılması veya aniden bloke olması durumunda güvenlik debriyajı, çalıştırma milini motordan ayırır. Bundan sonra cihaz durur ve bu surette kullanıcıyı geri tepmeden korur. Yükün hafiflemesinden sonra yavaş yavaş tekrar devir sayısına ulaşır ve çalışmaya devam edilebilir. Bütün bunlara bağlı olmaksızın yazılı bulunan güvenlik açıklamalarının dikkate alınması zorunludur.

TEKRAR ÇALIŞTIRMADA KORUMA

Ayar edilebilir şalterli makineler tekrar çalıştırmada koruma ile donatılmıştır. Bu koruma elektrik keşilmesinden sonra makinenin tekrar çalışmasını engeller. Tekrar çalışırken makineyi kapatın ve tekrar açarak çalıştırın.

İLK HAREKET AKIMI SINIRLANDIRMASI

Aletin ilk hareket akımı anma akımının birkaç katıdır. İlk hareket akımı sınırlandırma sistemi ile start akımı sigortanın (16 A) atmayaacağı ölçüde düşürülür.

BAKIM

Elektrikli aletin elektrik kablosu hasarlıysa, müşteri hizmeti organizasyonu üzerinden temin edilebilen önceden özel olarak hazırlanmış bir elektrik kablosu ile değiştirilmesi gerekmektedir.

Aletin havalandırma aralıklarını daima temiz tutun.

Sadece Milwaukee aksesuarını ve yedek parçalarını kullanın. Değiştirilmesi açıklanmamış olan parçaları bir Milwaukee müşteri servisinde değiştirin (Garanti broşüründe ve müşteri servisi adreslerine dikkat edin).

Gerektiğinde cihazın ayrıntılı çizimini, güç levhası üzerindeki makine modelini ve altı haneli rakamı belirterek müşteri servisinizden veya doğrudan Techtronic Industries GmbH, Max-Eyth-Straße 10, 71364 Winnenden, Germany adresinden isteyebilirsiniz.

SEMBOLLER



Lütfen aleti çalıştırmadan önce kullanma kılavuzunu dikkatli biçimde okuyun.



Aletle çalışırken daima koruyucu gözlük kullanın.



Aletin kendinde bir çalışma yapmadan önce fişi prizden çekin.



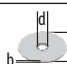


Aksesuar - Teslimat kapsamında değildir, önerilen tamamlamalar aksesuar programında.



Elektrikli el aletlerini evdeki çöp kutusuna atmayın! Kullanılmıyş elektrikli aletleri, elektrik ve elektronik eski cihazlar hakkındaki 2002/96/EC Avrupa yönergelerine göre ve bu yönergeler ulusal hukuk kurallarına göre uyarlanarak, ayrı olarak toplanmalı ve çevre şartlarına uygun bir şekilde tekrar değerlendirilmeye gönderilmelidir.



Koruma sınıfı II olan elektrikli aletler. Elektrik çarpmasına karşı korumanın sadece temel izolasyona bağlı olmayıp, aynı zamanda çift izolasyon veya takviyeli izolasyon gibi ek koruyucu önlemlerin alınmasına bağlı olan elektrikli alet. Bir koruyucu iletken bağlamak için düzeneği bulunmamaktadır.

TECHNICKÁ DATA	AGVM 24-230 GEX	AGVM 26-230 GEX
Úhlová bruska		
Výrobní číslo	4026 50 01... 4026 61 01... ...000001-999999	4026 67 01... 4026 55 01... ...000001-999999
Jmenovitý příkon	2400 W	2600 W
Jmenovité otáčky	6600 min ⁻¹	6600 min ⁻¹
 D=Průměr brusného kotouče max. b=Tloušťka brusného kotouče max. d=Ø otvoru	D= max 230 mm b= max 6 mm (1/4") d= 22,2 mm	D= max 230 mm b= max 6 mm (1/4") d= 22,2 mm
 D=brusné plochy-Ø max.	D= max 230 mm	D= max 230 mm
 D=miskovitě kartáče-Ø max.	D= max 100 mm	D= max 100 mm
Závět větene	M14	M14
Hmotnost podle prováděcího předpisu EPTA 01/2003	5,8 kg	5,8 kg
Informace o hluku / vibracích Naměřené hodnoty odpovídají EN 60 745. V třídě A posuzovaná hladina hluku přístroje činí typicky: Hladina akustického tlaku (K=3dB(A)) Hladina akustického výkonu (K=3dB(A))	93 dB(A) 104 dB(A)	93 dB(A) 104 dB(A)
Používejte chrániče sluchu ! "Celkové hodnoty vibrací (vektorový součet tří směrů) zjištěné ve smyslu EN 60745." Hrubovací broušení: Hodnota vibračních emisí ah Kolisavost K Broušení skelným papírem Hodnota vibračních emisí ah Kolisavost K U jiných aplikací, např. při rozbrušování nebo broušení ocelovým drátěným kartáčem mohou vznikat vibrace jiných hodnot!	2,5 m/s ² 1,5 m/s ² < 2,5 m/s ² 1,5 m/s ²	2,5 m/s ² 1,5 m/s ² < 2,5 m/s ² 1,5 m/s ²

VAROVÁN

Úroveň chvění uvedená v tomto návodu byla naměřena podle metody měření stanovené normou EN 60745 a může být použita pro porovnání elektrického nářadí. Hodí se také pro přibližný odhad zatížení chvěním.

Uvedená úroveň chvění představuje hlavní účely použití elektrického nářadí. Jestliže se ale elektrické nářadí používá pro jiné účely, s odlišnými nástroji nebo s nedostatečnou údržbou, může se úroveň chvění odlišovat. To může značně zvýšit zatížení chvěním během celé pracovní doby.

Pro přesný odhad zatížení chvěním se musí také zohlednit časy, během kterých je přístroj vypnutý nebo kdy je sice v chodu, ale skutečně se s ním nepracuje. To může zatížení chvěním během celé pracovní doby značně snížit.

Stanovte doplňková bezpečnostní opatření pro ochranu obsluhy před účinky chvění jako například: technická údržba elektrického nářadí a nástrojů, udržování teploty rukou, organizace pracovních procesů.

VAROVÁNÍ! Seznamte se se všemi bezpečnostními pokyny a sice i s pokyny v příložené brožůře. Zanedbání při dodržování varovných upozornění a pokynů mohou mít za následek úder elektrickým proudem, požár a/nebo těžká poranění.

Všechna varovná upozornění a pokyny do budoucna uschovejte.

BEZPEČNOSTNÍ POKYNY PRO ÚHLOVÉ BRUSKY

Společné bezpečnostní pokyny k broušení, broušení pomocí brusného papíru, pracím s drátěnými kartáči a rozbrušování

a) Tento elektrický nástroj je nutno používat jako brusku, brusku s brusným papírem, drátěný kartáč a rozbrušovačku. Dodržujte všechny bezpečnostní pokyny, příkazy, zobrazení a údaje, které dostanete spolu s elektrickým nástrojem. Pokud nebudete následující pokyny dodržovat, může dojít k zásahu elektrickým proudem, požáru a/nebo těžkým poraněním.

b) Toto elektrické nářadí není vhodné k leštění. Použití tohoto elektrického nářadí k jiným než určeným účelům může vést k ohrožení zdraví a ke zranění.

c) Nepoužívejte žádné příslušenství, které není výrobcem speciálně pro toto elektronářadí určeno a

doporučeno. Pouze to, že můžete příslušenství na Vaše elektronářadí upevnit, nezaručuje bezpečné použití.

d) Dovoleno počet otáček nasazovacího nástroje musí být minimálně tak vysoký, jako na elektronářadí uvedený nejvyšší počet otáček. Příslušenství, jež se otáčí rychleji než je dovoleno, se může rozlomit a rozletět.

e) Vnější rozměr a tloušťka nasazovacího nástroje musí odpovídat rozměrovým údajům Vašeho elektronářadí. Špatně dimenzované nasazovací nástroje nemohou být dostatečně stíněny nebo kontrolovány.

f) Brusné kotouče, příruby, brusné taliře nebo jiné příslušenství musí přesně lícovat na brusné větveno Vašeho elektronářadí. Nasazovací nástroje, které přesně nelicují na brusné větveno elektronářadí, se nerovnoměrně točí, velmi silně vibrují a mohou vést ke ztrátě kontroly.

g) Nepoužívejte žádné poškozené nasazovací nástroje. Zkontrolujte před každým použitím nasazovací nástroje jako brusné kotouče na odštěpky a trhliny, brusné taliře na trhliny, ořez nebo silné opotřebení, drátěné kartáče na uvolněné nebo zlomené dráty. Spadne-li elektronářadí nebo nasazovací nástroj z výšky, zkontrolujte zda není poškozený nebo použijte nepoškozený nasazovací nástroj. Pokud jste nasazovací nástroj zkontrolovali a nasadili, držte se Vy

a v blízkosti nacházející se osoby mimo rovinu rotujícího nasazovacího nástroje a nechte stroj běžet jednu minutu s nejvyššími otáčkami. Poškozené nasazovací nástroje většinou v této době testování prasknou.

h) Noste osobní ochranné vybavení. Podle aplikace použijte ochranu celého obličeje, ochranu očí nebo ochranné brýle. Taktéž adekvátně noste ochrannou masku proti prachu, ochranu sluchu, ochranné rukavice nebo speciální zástěru, jež Vás ochrání před malými částicemi brusiva a materiálu. Oči mají být chráněny před odtujícími cizími tělisky, jež vznikají při různých aplikacích. Protiprachová maska či respirátor musejí při používání vznikající prach odfiltrovat. Pokud jste dlouho vystaveni silnému hluku, můžete utrpět ztrátu sluchu.

i) Dbejte u ostatních osob na bezpečnou vzdálenost k Vaší pracovní oblasti. Každý, kdo vstoupí do této pracovní oblasti, musí nosit osobní ochranné vybavení. Úlomky obrobku nebo ulomených nasazovacích nástrojů mohou odletnout a způsobit poranění i mimo přímou pracovní oblast.

j) Pokud provádíte práce, při kterých může nasazovací nástroj zasáhnout skrytá elektrická vedení nebo vlastní síťový kabel, pak uchopte elektronářadí pouze na izolovaných plochách držadla. Kontakt s vedením pod napětím přivádí napětí i na kovové díly elektronářadí a vede k úderu elektrickým proudem.

k) Držte síťový kabel daleko od otáčejících se nasazovacích nástrojů. Když ztratíte kontrolu nad strojem, může být přerušen nebo zachycen síťový kabel a Vaše ruka nebo paže se může dostat do otáčejícího se nasazovacího nástroje.

l) Nikdy neodkládejte elektronářadí dříve, než se nasazovací nástroj dostal zcela do stavu klidu. Otáčející se nasazovací nástroj se může dostat do kontaktu s odkládací plochou, čímž můžete ztratit kontrolu nad elektronářadím.

m) Nenechte elektronářadí běžet po dobu, co jej nesete. Váš oděv může být náhodným kontaktem s otáčejícím se nasazovacím nástrojem zachycen a nasazovací nástroj se může zavrtat do Vašeho těla.

n) Čistěte pravidelně větrací otvory Vašeho elektronářadí. Ventilátor motoru vtahuje do tělesa prach a silně nahromaděný kovového prachu může způsobit elektrická rizika.

o) Nepoužívejte elektronářadí v blízkosti hořlavých materiálů. Jiskry mohou tyto materiály zapálit.

p) Nepoužívejte žádné nasazovací nástroje, které vyžadují kapalně chlazení prostředky. Použití vody nebo jiných kapalných chladicích prostředků může vést k úderu elektrickým proudem.

Zpětný ráz a odpovídající varovná upozornění

Zpětný ráz je náhlá reakce v důsledku zaseknutého nebo zablokování otáčejícího se nasazovacího nástroje, jako je brusný kotouč, brusný talíř, drátěný kartáč atd. Zaseknutí nebo zablokování vede k náhlému zastavení rotujícího nasazovacího nástroje. Tím nekontrolovaně elektronářadí akceleruje v místě zablokování proti směru otáčení nasazovacího nástroje.

Pokud se např. zpřící nebo zablokuje brusný kotouč v obrobku, může se hrana brusného kotouče, která se zanořuje do obrobku, zakousnout a tím brusný kotouč vylomit nebo způsobit zpětný ráz. Brusný kotouč se potom pohybuje k nebo od obsluhující osoby, podle směru otáčení kotouče na místě zablokování. Při tom mohou brusné kotouče i prasknout.

Zpětný ráz je důsledek nesprávného nebo chybného použití elektronářadí. Lze mu zabránit vhodnými preventivními opatřeními, jak je následně popsáno.

a) Držte elektronářadí dobře pevně a uveďte Vaše tělo a paže do polohy, ve které můžete zachytit síly zpětného rázu. Je-li k dispozici, použijte vždy přidavnou

rukojeť, abyste měli co největší možnou kontrolu nad silami zpětného rázu nebo reakčních momentů při rozběhu. Obsluhující osoba může vhodnými preventivními opatřeními zvládnout síly zpětného rázu a reakčního momentu.

b) Nikdy nedávejte Vaši ruku do blízkosti otáčejících se nasazovacích nástrojů. Nasazovací nástroj se při zpětném rázu může pohybovat přes Vaši ruku.

c) Vyhněte se Vaším tělem oblastí, kam se bude elektronářadí při zpětném rázu pohybovat. Zpětný ráz vhná elektronářadí v místě zablokování do opačného směru k pohybu brusného kotouče.

d) Zvláště opatrně pracujte v místech rohů, ostrých hran apod. Zabraňte, aby se nasazovací nástroj odrazil od obrobku a vzpřičil. Rotující nasazovací nástroj je u rohů, ostrých hran a pokud se odrazí náhle vzhůru na vzpřícení se. Toto způsobí ztrátu kontroly nebo zpětný ráz.

e) Nepoužívejte žádné článkové nebo ozubené pilový kotouč. Takovito nasazovací nástroje způsobují často zpětný ráz nebo ztrátu kontroly nad elektronářadím.

Zvláštní varovná upozornění k broušení a dělení

a) Používejte výhradně pro Vaše elektronářadí schválená brusná tělesa a pro tato brusná tělesa určený ochranný kryt. Brusná tělesa, která nejsou určena pro toto elektronářadí, nemohou být dostatečně stíněna a jsou nespolehlivá.

b) Používejte vždy ten ochranný kryt, jež je určen pro použitý druh brusného tělesa. Ochranný kryt musí být bezpečně na elektronářadí namontován a nastaven tak, aby bylo dosaženo maximální míry bezpečnosti, tzn. nejmenší možný díl brusného tělesa ukazuje nekrytý k obsluhující osobě. Ochranný kryt má obsluhující osobu chránit před úlomky a případným kontaktem s brusným tělesem.

c) Brusná tělesa smějí být použita pouze pro doporučené možnosti nasazení. Např.: nikdy nebruste boční plochou dělicího kotouče. Dělicí kotouče jsou určeny k úběru materiálu hranou kotouče. Boční působení síly na tato brusná tělesa je možné rozlámat.

d) Používejte vždy nepoškozované upínací příruby ve správné velikosti a tvaru pro Vámi zvolený brusný kotouč. Vhodné příruby podpirají brusný kotouč a zmírňují tak nebezpečí prasknutí brusného kotouče. Příruby pro dělicí kotouče se mohou odlišovat od přírub pro jiné brusné kotouče.

e) Nepoužívejte žádné opotřebované brusné kotouče od většího elektronářadí. Brusné kotouče pro větší elektronářadí nejsou dimenzovány pro vyšší otáčky menších elektronářadí a mohou prasknout.

Další zvláštní varovná upozornění k dělení

a) Zabraňte zablokování dělicího kotouče nebo příliš vysokému přítlaku. Neprovádějte žádné nadměrné hluboké řezy. Přetížení dělicího kotouče zvyšuje jeho namáhání a náchylnost ke vzpřícení nebo zablokování a tím možnost zpětného rázu nebo prasknutí brusného tělesa.

b) Vyhněte se oblasti před a za rotujícím dělicím kotoučem. Pokud pohybujete dělicím kotoučem v obrobku pryč od sebe, může být v případě zpětného rázu elektronářadí s otáčejícím se kotoučem vymršeno přímo na Vás.

c) Jestliže dělicí kotouč uvízne nebo práci přerušíte, elektronářadí vypněte a vydržte v klidu než se kotouč zastaví. Nikdy se nepokoušejte ještě běžící dělicí kotouč vytáhnout z řezu, jinak může následovat zpětný ráz. Zjistěte a odstraňte příčinu uvíznutí.

d) Elektronářadí opět nezapínejte, dokud se nachází v obrobku. Nechte dělicí kotouč nejprve dosáhnout svých plných otáček, než budete v řezu opatrně pokračovat. Jinak se může kotouč zaseknout, vyskočit z obrobku nebo způsobit zpětný ráz.

e) Desky nebo velké obrobky podepřete, aby se zabránilo riziku zpětného rázu od sevřeného děličního kotouče. Velké obrobky se mohou pod svou vlastní hmotností prohnout. Obrobek musí být podepřen na obou stranách a to jak v blízkosti děličního řezu tak i na okraji.

f) Buďte obzvlášť opatrní u "kapsovitých řezů" do stávajících stěn nebo jiných míst, kam není vidět. Zanořující se děličící kotouč může při zařiznutí do plynových, vodovodních či elektrických vedení nebo jiných objektů způsobit zpětný ráz.

Zvláštní varovná upozornění ke smirkování

a) Nepoužívejte žádné předimenzované brusné listy, ale dodržujte údaje výrobce k velikosti brusných listů. Brusné listy, které vyčnívají přes brusný talíř, mohou způsobit poranění a též vést k zablokování, roztržení brusných listů nebo ke zpětnému rázu.

Zvláštní varovná upozornění k práci s drátěnými kartáči

a) Dbejte na to, že drátěný kartáč i během běžného používání ztrácí kousky drátu. Nepřetěžujte dráty příliš vysokým přítlakem. Odletající kousky drátu mohou velmi lehce proniknout skrz tenký oděv a/nebo pokožku.

b) Je-li doporučen ochranný kryt, zabraňte, aby se ochranný kryt a drátěný kartáč mohly dotýkat. Talířové a hrcové kartáče mohou díky přítlaku a odstředivým silám zvětšit svůj průměr.

Zalomené brusné kotouče musí být namontované tak, aby jejich brusná plocha končila min. 2 mm pod úroveň okraje ochranného krytu.

Ve venkovním prostředí musí být zásuvky vybaveny proudovým chráničem (FI, RCD, PRCD). Je to vyžadováno instalačním předpisem pro toto el.zařízení. Dodržujte ho při používání tohoto nářadí, prosím.

Pokud stroj běží, nesmí být odstraňovány třísky nebo odštěpky.

Stroj zapínat do zásuvky pouze když je vypnutý.

Nesahejte do nebezpečného prostoru běžícího stroje.

Vždy používejte doplňkové madlo.

Stroj okamžitě vypněte, zjistíte-li neobvyklé vibrace nebo jiné problémy. Stroj přezkoušejte, abyste zjistili příčinu problémů.

Kotouče používejte a skladujte podle doporučení výrobce.

Při broušení kovů odletují jiskry. Dbejte, aby nedošlo k poškození osob. V blízkosti (kam zaletují jiskry) se nesmí nacházet žádné hořlavé látky - nebezpečí požáru. Nepoužívejte odsavač prachu.

Stroj držte při práci tak, aby jiskry a brusný prach odletovaly od těla.

Při řezání kamene je předepsáno použití vodících saní.

Upínací matice kotouče musí být před spuštěním stroje utažena.

Obráběný kus musí být řadně upnut, není-li dostatečně těžký.

Při extrémních pracovních podmínkách (např. při hladkém vybrušování kovů opěrným kotoučem a brusným kotoučem z vulkáníbrů) se uvnitř ruční úhlové brusky mohou nahromadit nečistoty. Za těchto pracovních podmínek je bezpodmínečně nutné důkladně vyčistit vnitřní prostor a zbavit jej kovových usazenin a zařadit před brusku automatický spínač v obvodu diferenciální ochrany. Po aktivaci tohoto spínače se musí úhlová bruska zaslat k opravě servisnímu středisku.

U brusiva vybaveného podložkou se závitem zajistit, aby byl závit dostatečně dlouhý pro hřídel.

Pro řezací práce použijte uzavřený ochranný kryt z programu příslušenství.

OBLAST VYUŽITÍ

Úhlová bruska je použitelná k dělení a hrubování brusným kotoučem u mnohých materiálů jako například kovů nebo kamene a také k broušení plastovým brusným kotoučem a práci s ocelovým drátěným kartáčem. Ve sporném případě se řiďte pokyny výrobce příslušenství.

Toto zařízení lze používat jen pro uvedený účel.

CE-PROHLÁŠENÍ O SHODĚ

Výhradně na vlastní zodpovědnost prohlašujeme, že se výrobek popsany v „Technických údajích“ shoduje se všemi relevantními předpisy směrnice 2011/65/EU (RoHS), 2004/108/ES, 2006/42/ES a s následujícími harmonizovanými normativními dokumenty:

EN 60745-1:2009+A11:2010

EN 60745-2-3:2011

EN 55014-1:2006+A1:2009+A2:2011

EN 55014-2:1997+A1:2001+A2:2008

EN 61000-3-2:2006+A1:2009+A2:2009

EN 61000-3-3:2008



Winnenden, 2013-08-26

Alexander Krug
Managing Director

Zplnomocněn k sestavování technických podkladů.

Techtronic Industries GmbH

Max-Eyth-Straße 10

71364 Winnenden

PŘIPOJENÍ NA SÍŤ

Připojit pouze do jednofázové střídavé sítě o napětí uvedeném na štítku. Lze připojit i do zásuvky bez ochranného kontaktu neboť spotřebič je třídy II.

OCHRANNÁ SPOJKA

Při zaklesnutí nebo náhlém zablokování nástroje rozpoj ochranná spojka pracovní vřeteno a motor. Nástroj se zastaví a chrání tak obsluhu před zpětným nárazem. Po uvolnění se nástroj opět pomalu začne otáčet a po dosažení pracovní rychlosti lze pokračovat v práci. Nezávisle na tom je však nezbytné dodržovat uvedené bezpečnostní předpisy.

OCHRANA PROTI OPĚTOVNÉMU NÁBĚHU

Stroje s aretovatelným vypínačem jsou vybavené ochranou proti opětovnému náběhu. Tato ochrana zabraňuje opětovnému náběhu stroje po výpadku proudu. Při obnoveném zahájení práce stroj vypnete a opět zapnete.

OMEZENÍ ROZBĚHOVÉHO PROUDU

Zapínací proud brusky je mnohonásobkem jmenovitého proudu. Díky omezení rozběhového proudu je zapínací proud redukován do té míry, že nevypne pojistka (16 A pomalá).

ÚDRŽBA

Pokud je připojovací kabel elektrického přístroje poškozený, musí být nahrazený speciálně upraveným připojovacím kabelem, který je možné získat prostřednictvím firmy poskytující servis pro zákazníky.

Větrací štěrbiny nářadí udržujeme stále čisté.

Používejte výhradně příslušenství a náhr.díly Milwaukee. Dílý jejichž výměna nebyla popsána nechte vyměnit v autorizovaném servisu Milwaukee (Dbejte pokynů uvedených v záručním listě.)

V případě potřeby si můžete v servisním centru pro zákazníky nebo přímo od firmy Techtronic Industries GmbH, Max-Eyth-Straße 10, 71364 Winnenden, Německo vyžádat schematický náčrt jednotlivých dílů přístroje, když uvedete typ přístroje a šestimístné číslo na výkonovém štítku.

SYMBOLY



Před spuštěním stroje si pečlivě pročtěte návod k používání.



Při práci se strojem neustále nosit ochranné brýle.



Před zahájením veškerých prací na vrtacím kladivu vytáhnout síťovou zástrčku ze zásuvky.



Příslušenství není součástí dodávky, viz program příslušenství.



Elektrické nářadí nevyhazujte do komunálního odpadu! Podle evropské směrnice 2002/96/EG o nakládání s použitými elektrickými a elektronickými zařízeními a odpovídajících ustanovení právních předpisů jednotlivých zemí se použitá elektrická nářadí musí sbírat odděleně od ostatního odpadu a podrobit ekologicky šetrnému recyklování.



Elektrický přístroj s třídou ochrany II. Elektrický přístroj, u kterého ochrana před zásahem el. proudem závisí nejen na základní izolaci, ale i na tom, že budou použita také doplňková ochranná opatření, jakými jsou dvojitá izolace nebo zesílená izolace. Neexistuje žádné zařízení pro připojení ochranného vodiče..

Copyright 2013
Techtronic Industries GmbH
Max-Eyth-Straße 10
71364 Winnenden
Germany
+49 (0) 7195-12-0

