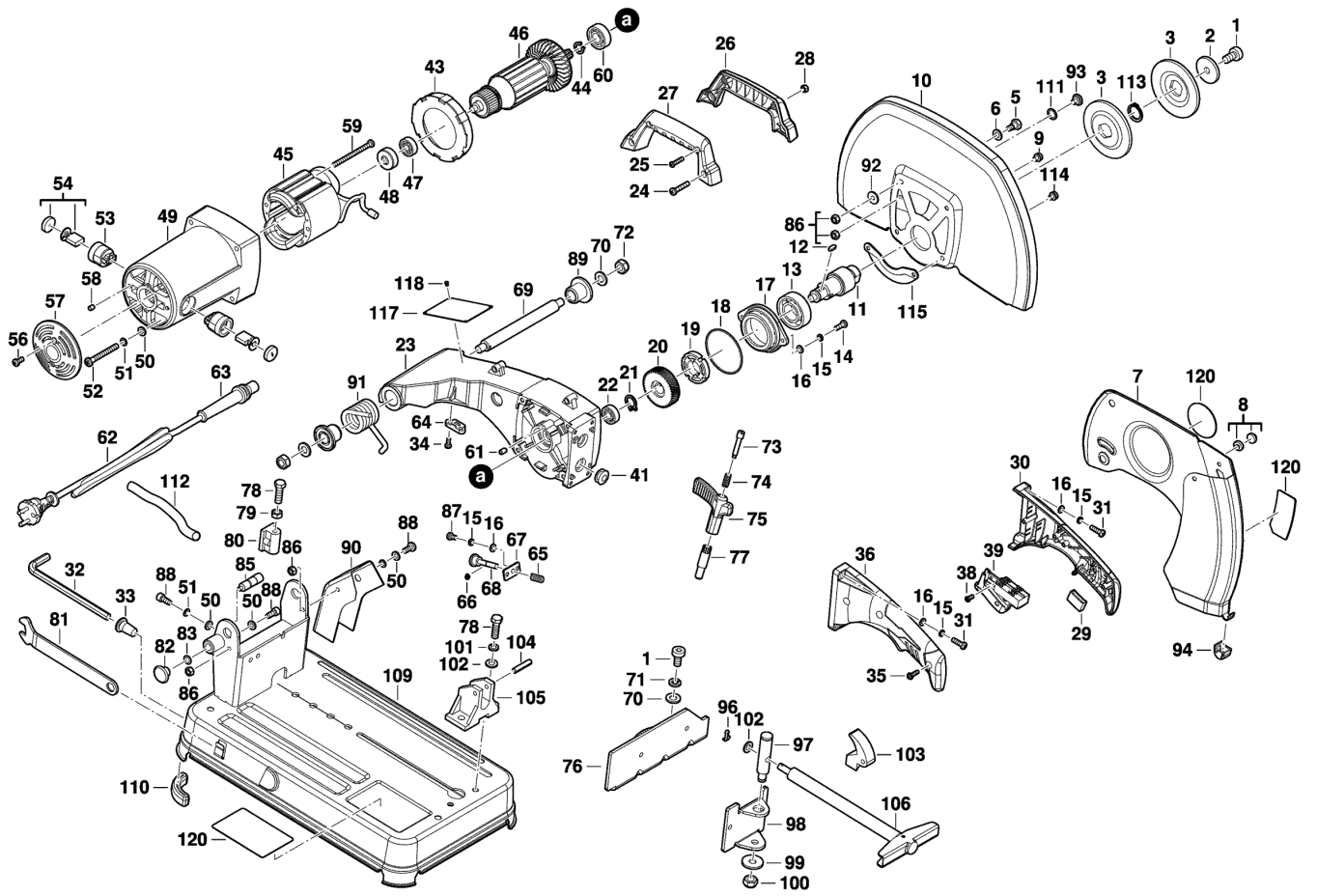


CHS355 CUT-OFF MACHINE IN2

4933411760 - CHS355 - 4000411761





Position	Quantity	Description	Part number	EAN
0001	3	SCREW	4931431000	4002395854349
0002	1	WASHER	4931431001	4002395852796
0003	2	FLANGE	4931431002	4002395854356
0005	1	SCREW	4931431003	4002395853304
0006	1	WASHER	4931431004	4002395853311
0007	1	GUARD CAP	4931431005	4002395853328
0008	1	RUBBER BUFFER	4931431006	4002395853335
0009	3	SCREW	5131000000	
0010	1	GUARD CAP	4931431008	4002395853359
0011	1	SPINDLE	4931431010	4002395853366
0012	1	KEY	4931431011	4002395853373
0013	1	BEARING	4931431012	4002395853380
0014	2	SCREW	4931431013	4002395851546
0015	8	SPRING WASHER	4931431014	4002395852956
0016	8	WASHER	4931431015	4002395853649
0017	1	FLANGE	4931431016	4002395850723
0018	1	O-RING	4931431017	4002395853502
0019	1	LOCK	4931431018	4002395850907
0020	1	GEAR	4931431019	4002395852130
0021	1	RETAINER	4931431020	4002395850822
0022	1	BEARING	4931431021	4002395850709
0023	1	LEVER	4931431022	4002395853625
0024	2	SCREW	5131000000	
0025	1	SCREW	5131000000	
0026	1	HANDLE	4931431025	4002395851423
0027	1	HANDLE	4931431026	4002395851416
0028	2	HEXAGON NUT	5131000000	
0029	1	CAPACITOR	4931431028	4002395851409
0030	1	HANDLE	4931431029	4002395852147
0031	4	SCREW	4931431030	4002395851539
0032	1	HEX WRENCH	4931431031	4002395852178
0033	1	SLEEVE	4931431032	4002395852185
0034	2	SCREW	5131000000	
0035	3	SCREW	5131000000	
0036	1	HANDLE LEFT	4931431035	4002395852802
0038	1	SCREW	4931431036	4002395851591
0039	1	SWITCH	4931431037	4002395853601
0041	1	RUBBER SLEEVE	5131000000	
0043	1	PLATE	4931431039	4002395853472
0044	1	RETAINING RING	4931431040	4002395850853
0045	1	ELECTRIC FIELD	4931431042	4002395852123
0046	1	ARMATURE	4931431044	4002395853465
0047	1	BEARING	4931431045	4002395853496
0048	1	BEARING BUSH	4931431046	4002395850730
0049	1	MOTOR HOUSING	4931431047	4002395852857
0050	8	WASHER	4931431048	4002395853663
0051	8	SPRING WASHER	4931431049	4002395852970
0052	4	SCREW	4931431050	4002395851584
0053	2	BRUSH HOLDER	4931431051	4002395850792
0054	2	CARBON BRUSH	4931443443	4002395887682

Position	Quantité	Désignation	Référence	EAN
0056	2	SCREW	4931431054	4002395852222
0057	1	END COVER CAP	4931431055	4002395851492
0058	2	SET SCREW	4931431056	4002395852284
0059	2	SCREW	4931431057	4002395852239
0060	1	BEARING	4931431058	4002395850716
0061	1	PIN	4931431059	4002395850884
0062	1	CONNECTION CABLE	4931431060	4002395853571
0063	1	PROTECTION SLEEVE	4931431064	4002395851478
0064	1	CABLE CLAMP	5131000000	
0065	1	SPRING ELEMENT	4931431067	4002395852833
0066	1	RETAINER	4931431068	4002395850839
0067	1	PLATE	4931431069	4002395853564
0068	1	LOCKING PIN	4931431070	4002395852826
0069	1	SHAFT	4931431071	4002395852291
0070	4	WASHER	4931431072	4002395853656
0071	2	SPRING WASHER	4931431073	4002395852963
0072	2	NUT	4931431074	4002395852864
0073	1	SCREW	4931431075	4002395851508
0074	1	SPRING	4931431076	4002395852949
0075	1	HANDLE	4931431077	4002395853595
0076	1	COVER	4931431078	4002395850808
0077	1	BOLT	4931431079	4002395850747
0078	3	SCREW	4931431080	4002395850761
0079	1	HEXAGON NUT	4931431081	4002395852161
0080	1	STOPPER	5131000000	
0081	1	WRENCH	4931431083	4002395850914
0082	1	LOCK BOTTON	4931431084	4002395852819
0083	1	O-RING	4931431085	4002395852895
0085	1	LOCKING BOLT	4931431086	4002395853526
0086	4	NUT	4931431087	4002395852871
0087	2	SCREW	5131000000	
0088	4	SCREW	4931431089	4002395850754
0089	2	SLEEVE	4931431090	4002395852918
0090	1	GUARD CAP	4931431091	4002395852932
0091	1	TORSION SPRING	4931431092	4002395853618
0092	1	WASHER	5131000000	
0093	1	SCREW	4931431094	4002395851560
0094	1	GUARD CAP	4931431095	4002395852840
0096	1	PIN	4931431097	4002395853519
0097	1	SHAFT	4931431098	4002395852901
0098	1	CLAMP	4931431099	4002395851430
0099	1	WASHER	4931431100	4002395853687
0100	1	LOCKING NUT	4931431101	4002395852888
0101	2	SPRING WASHER	4931431102	4002395852987
0102	2	WASHER	4931431103	4002395853694
0103	1	CLAMP	4931431104	4002395850815
0104	1	PIN	4931431105	4002395850860
0105	1	ACCEPTANCE	4931431106	4002395852246
0106	1	CLAMPING GIP	4931431107	4002395850891
0109	1	BASE PLATE	4931431108	4002395853489

Position	Quantité	Désignation	Référence	EAN
0110	3	RUBBER FOOT	4931431109	4002395850877
0111	1	WASHER	5131000000	
0112	1	INSULATION	5131000000	
0113	1	RETAINER	4931431112	4002395850846
0114	1	SCREW	4931431113	4002395851577
0115	1	PLATE	4931431114	4002395853557
0117	1	RATING PLATE	4931431115	4002395852253
0118	4	RIVET	5131000000	
0120	1	LABEL	4931431119	4002395852192