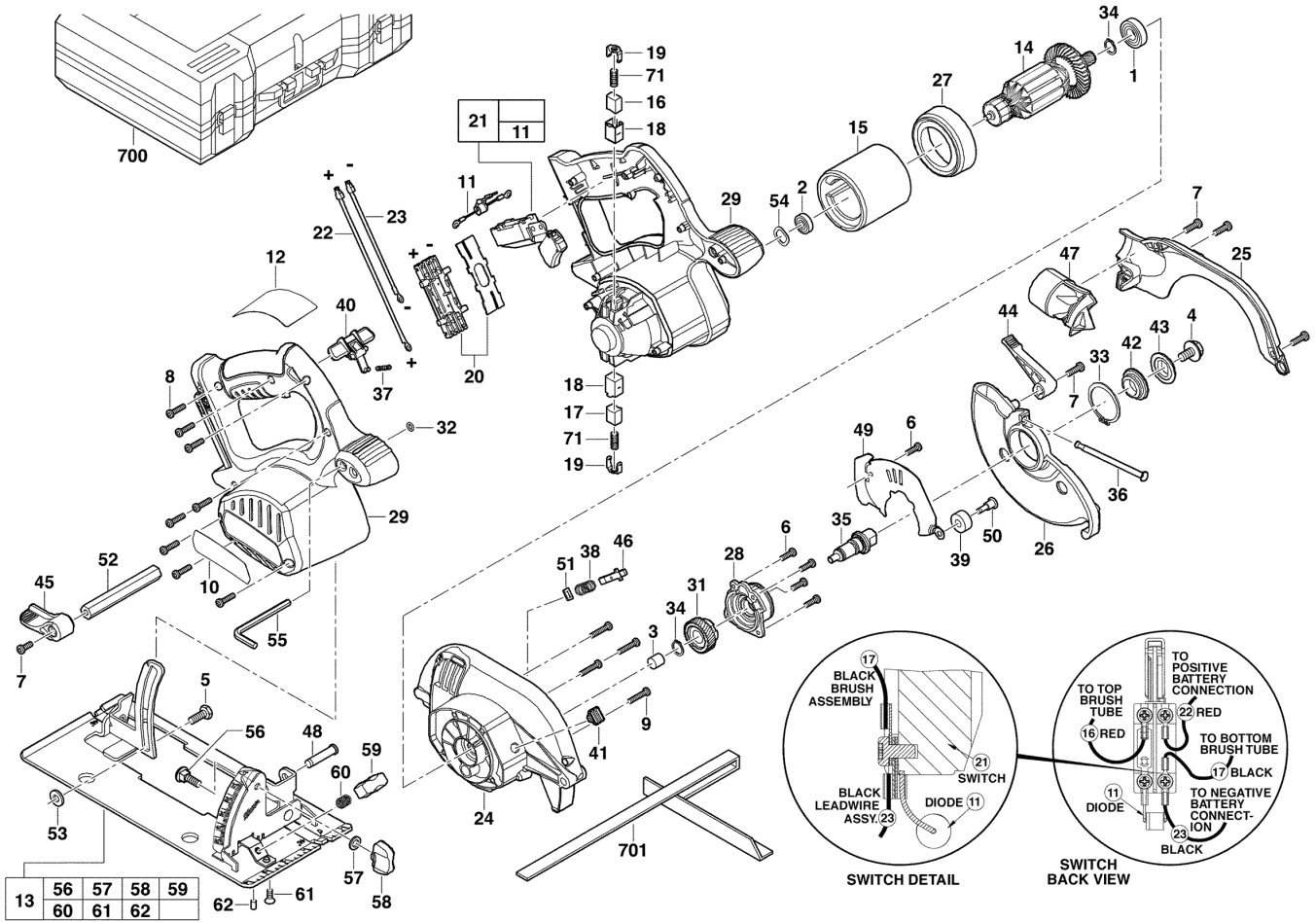


HD28CS-0 M28 CIRC SAW XXX

4933419022 - HD28CS-0 - 4000419018





Position	Quantity	Description	Part number	EAN
0001	1	BALL BEARING	02041212	4058546068073
0002	1	BALL BEARING	02045130	4058546068165
0003	1	NEEDLE BEARING	02501640	4058546068219
0004	1	SCREW	06751010	4058546068653
0005	1	SCREW	06755860	4058546068745
0006	1	SCREW	06825285	4058546068844
0007	1	SCREW TORX SCREW	06825314	4002395851935
0008	1	SCREW	06827470	4002395773367
0009	1	SCREW	06827475	4058546069063
0010	1	ADHESIVE LABEL	940064035	4002395838752
0011	1	RESISTOR	22740510	4058546070311
0012	1	NAME PLATE	12201480	4058546069353
0013	1	BASE PLATE	14740315	4002395885633
0014	1	MOTOR	4931453367	4002395162710
0015	1	MOTOR	4931453367	4002395162710
0016	1	CARBON BRUSH	22181240	4058546069902
0017	1	CARBON BRUSH	22181245	4058546069919
0018	1	BRUSH HOLDER	22200425	4058546069957
0019	1	BRUSH SPRING	22320420	4058546070045
0020	1	CONNECTOR	22560975	4058546070199
0021	1	SWITCH ON-OFF	270017215	4002395836390
0022	1	RELAY CABLE	23944290	4058546070823
0023	1	RELAY CABLE	23944295	4058546070830
0024	1	GEAR BOX HOUSING	641187006	4002395836864
0025	1	COVER	28201360	4058546071042
0026	1	GUARD COVER	641189006	4002395836888
0027	1	AIR DEFLECTOR RING	31050350	4058546071257
0028	1	COVER	31150601	4058546071332
0029	1	HANDLE COMPL.	201415001	4002395825424
0031	1	GEAR	32751310	4058546071981
0032	1	O-RING	34404480	4058546072193
0033	1	THRUST COLLAR	34600860	4058546072247
0034	1	RING	34600920	4058546072261
0035	1	SPINDLE	38501160	4058546072575
0036	1	SPRING	40500045	4058546072674
0037	1	SPRING	40500350	4058546072735
0038	1	PRESSURE SPRING	40508040	4058546072803
0039	1	GUARD	42380222	4058546073053
0040	1	SWITCH	42421020	4058546073114
0041	1	PUSH-BUTTON	42421030	4058546073121
0042	1	FLANGE	43340790	4058546073398
0043	1	FLANGE	43340795	4058546073404
0046	1	SPINDLE LOCK	44200650	4058546073800
0047	1	DUST SEAL	31760100	4058546071691
0048	1	PIN	44600740	4058546073893
0049	1	LATCH PLATE	44660560	4058546073992
0050	1	SCREW	45040485	4058546074258
0051	1	FELT PACKING	45060720	4058546074364
0052	1	SHAFT	45080395	4058546074395
0053	1	WASHER	45881545	4058546074821

Position	Quantité	Désignation	Référence	EAN
0054	1	WASHER	45885615	4058546074883
0055	1	WRENCH 3/16	49960080	45242221608
0057	1	WASHER	45881560	4058546074845
0058	1	KNOB	43980730	4058546073732
0059	1	KNOB	43980720	4058546073725
0060	1	SPRING	40500650	4058546072742
0071	1	SPRING	200550005	4002395804207
0700	1	CARRYING CASE	48551490	4058546075019
0701	1	BACK SQUARE	301768001	4002395838899
	1	M28BX 3AH LIION BAT IN2	4932352732	4002395373901