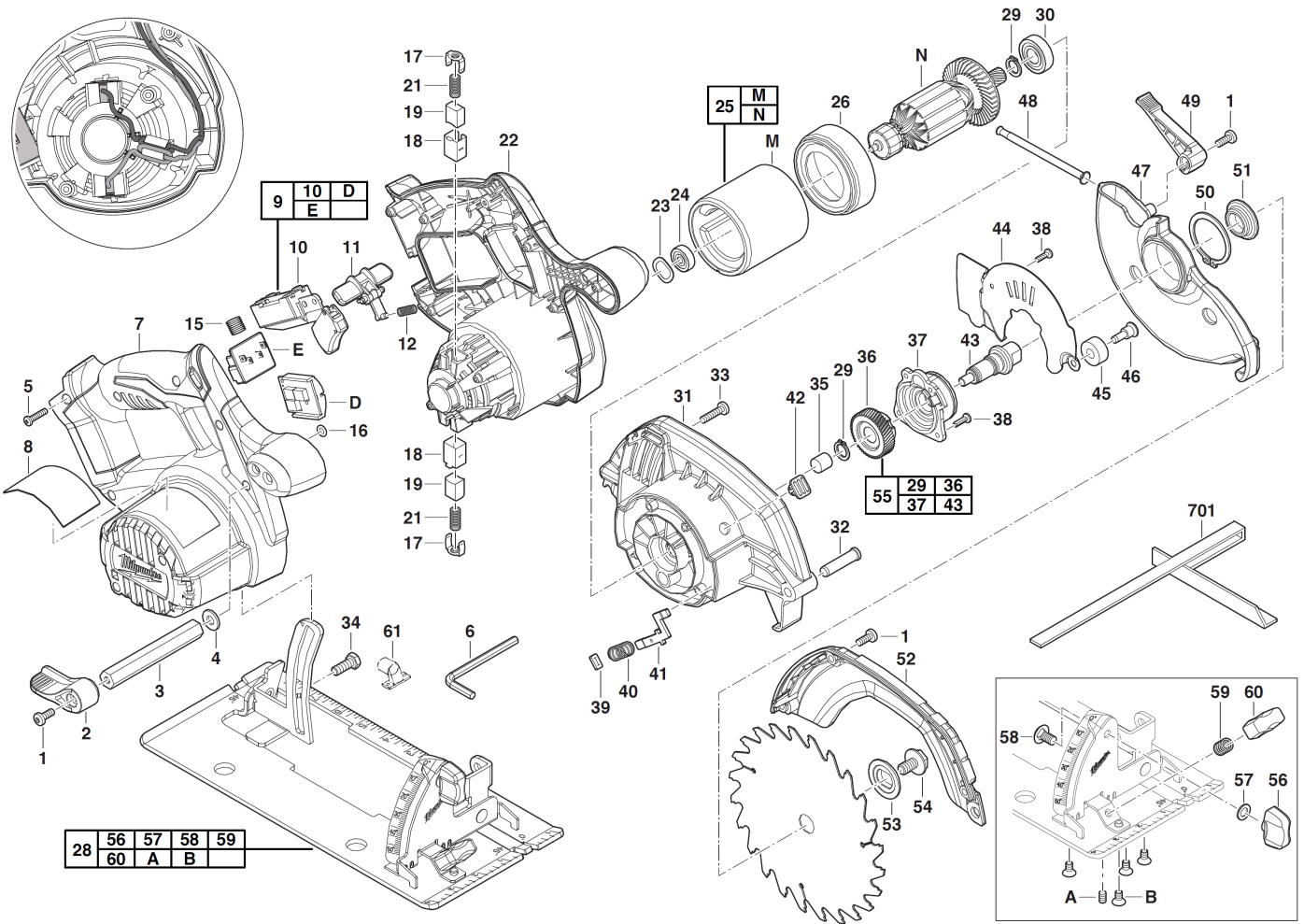


HD18CS-0 M18 18V CIRCULAR SAW XXX

4933419134 - HD18CS-0 - 4000411181





Position	Quantity	Description	Part number	EAN
0001	1	SCREW	200546005	4002395804047
0002	1	REBATE DEPTH GAUGE	200937003	4002395804054
0003	1	DEPTH GAUGE	201172001	4002395804061
0004	1	WASHER	201076002	4002395804078
0005	1	SCREW	200546006	4002395804085
0006	1	ALLEN KEY	201173001	4002395804092
0007	1	RIGHT HANDLE HALF	200450003	4002395804115
0008	1	RATING PLATE	200410003	4002395804108
0009	1	SWITCH RETAINER	200913002	4002395804122
0010	1	SWITCH	760245005	4002395830022
0011	1	DRILL OFF BUTTON	4931404989	4002395832194
0012	1	SPRING	200550003	4002395804139
0015	1	SPRING	200550004	4002395804146
0016	1	O-RING	201255002	4002395804153
0017	1	SPRING 2pcs	201245002	4002395804160
0018	1	CARBON HOLDER	200882003	4002395804177
0019	1	CARBON BRUSH SET	4931433504	4002395894109
0021	1	SPRING	200550005	4002395804207
0022	1	LEFT HANDLE HALF	200450004	4002395804214
0023	1	WASHER	201166001	4002395804221
0024	1	BALL BEARING	200716002	4002395804238
0025	1	MOTOR	290147067	4002395825561
0026	1	COVER	201165001	4002395804252
0028	1	STOP	201275002	4002395804276
0029	1	REDUCTION ADAPTER	201074002	4002395804283
0030	1	BALL BEARING	200716003	4002395804290
0031	1	GEAR BOX HOUSING	200281019	4002395804306
0032	1	PIN	201167001	4002395804313
0033	1	SCREW	200546002	4002395804320
0034	1	SCREW	200546003	4002395804337
0035	1	NEEDLE BEARING	200890002	4002395804344
0036	1	GEAR UNIT	201169001	4002395804351
0037	1	GEAR BOX INSULATION	200990007	4002395804368
0038	1	SCREW	200546004	4002395804375
0039	1	FELT	201273002	4002395804382
0040	1	SPRING	200550002	4002395804399
0041	1	SPINDLE LOCK	200979002	4002395804405
0042	1	LOCKING PIECE	200541002	4002395804412
0043	1	SPINDLE	200941004	4002395804429
0044	1	LATCH PLATE	201271002	4002395804436
0045	1	STOP	201184001	4002395804443
0046	1	SCREW	200546007	4002395804450
0047	1	GUARD CAP	201174001	4002395804467
0048	1	SPRING	200550006	4002395804474
0049	1	LEVER	200937004	4002395804481
0050	1	REDUCTION ADAPTER	201074003	4002395804498
0051	1	FLANGE	201175001	4002395804504
0052	1	GUARD CAP	201176001	4002395804511
0053	1	FLANGE	201181001	4002395804528
0054	1	SCREW	200546008	4002395804535

Position	Quantité	Désignation	Référence	EAN
0055	1	GEAR UNIT	200589004	4002395804542
0056	1	WING NUT	201058002	4002395804559
0057	1	WASHER	201076003	4002395804566
0058	1	SCREW	201182001	4002395804573
0059	1	SPRING	200550007	4002395804580
0060	1	WING NUT	201058003	4002395804597
0061	1	DUST EXTR.CONNECTOR	4931427383	4002395847112
0701	1	PARALLEL GUIDE	43300100	4002395872091