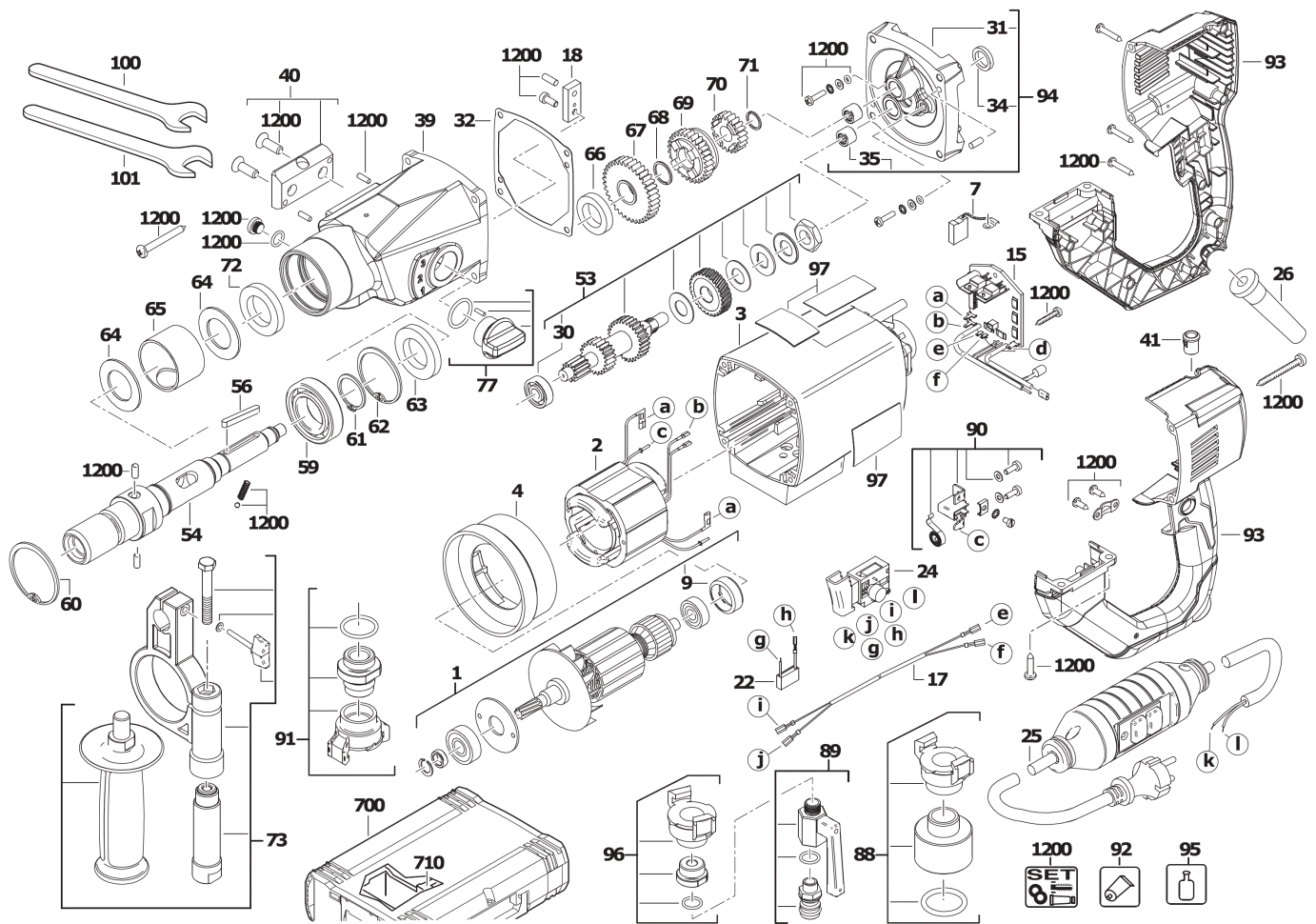


# DD3-152 230V COMBI DIAMOND DRILL IN2

4933428000 - DD3-152 - 4000428001





Position	Quantity	Description	Part number	EAN
0001	1	ARMATURE	4931428015	4002395842179
0002	1	ELECTRIC FIELD	4931428016	4002395842186
0003	1	MOTOR HOUSING	4931428017	4002395842193
0004	1	AIR DEFLECTOR RING	4931428018	4002395842209
0007	1	CARBON BRUSH SET	4931428019	4002395842216
0009	1	BEARING COVER	4931428036	4002395842223
0015	1	PRINTED CIRCUIT	4931428038	4002395842247
0017	1	CABLE SET	4931428039	4002395842254
0018	1	SWITCH LEVER	4931428040	4002395842261
0022	1	INTERFERENCE SUPPR.	4931428041	4002395842278
0024	1	SWITCH	4931428042	4002395842476
0025	1	CONNECTION CABLE	4931428043	4002395842285
0026	1	PROTECTING COVER	4931428044	4002395842292
0030	1	GROOVED BALL BEAR.	4931428045	4002395842308
0031	1	GEAR ENDPLATE	5131000000	
0032	1	SEAL	4931428047	4002395842322
0034	1	SEAL RING	4931428048	4002395842339
0035	2	NEEDLE BUSH	4931428049	4002395842346
0039	1	GEAR BOX HOUSING	4931428553	4002395842353
0040	1	Supporting plate with 2 hex. sock. screw	4931428554	4002395842360
0041	1	HOLDING DEVICE	4931428555	4002395842377
0053	1	CLUTCH	4931428556	4002395842384
0054	1	SPINDLE	4931428557	4002395842391
0056	1	PARALLEL KEY	4931428558	4002395842407
0059	1	GROOVED BALL BEAR.	4931428559	4002395842414
0060	1	PROTECTION WASHER	4931428560	4002395842421
0061	1	PROTECTION WASHER	4931428561	4002395842438
0062	1	PROTECTION WASHER	4931428562	4002395842445
0063	1	SEAL RING	4931428563	4002395842452
0064	2	STRIPPER	4931428564	4002395842469
0065	1	SPACER	4931428565	4002395842568
0066	1	SEAL RING	4931428566	4002395842575
0067	1	WHEEL	4931428567	4002395842582
0068	1	SPRING RING	4931428568	4002395842599
0069	1	JUMPER RING	4931428569	4002395842605
0070	1	WHEEL	4931428570	4002395842612
0071	1	SPRING RING	4931428571	4002395842629
0072	1	SEAL RING	4931428572	4002395842636
0073	1	HANDLE	4931428573	4002395842643
0077	1	SWITCH LEVER	4931428574	4002395842650
0088	1	ADAPTOR	4931428578	4002395842698
0089	1	VALVE	4931428579	4002395842704
0090	1	BRUSH HOLDER PAIR	4931428580	4002395842728
0091	1	CONNECTOR	4931428581	4002395842735
0092	1	GREASE DEPOSIT	4931428582	4002395842742
0093	1	HANDLE SHELLS	4931428583	4002395842759
0094	1	GEAR ENDPLATE	4931428584	4002395842766
0095	1	GEAR OIL 1L	4931428585	4002395842773
0096	1	CONNECTION SLEEVE	4931428586	4002395842780
0097	1	STICKER	5131000000	

<b>Position</b>	<b>Quantité</b>	<b>Désignation</b>	<b>Référence</b>	<b>EAN</b>
0100	1	SPANNER	4931428009	4002395844791
0101	1	SPANNER 41mm	4931428010	4002395844807
0700	1	CARRYING CASE	4931402576	4002395780266
0710	1	INSERT	4931428005	4002395902477
1200	1	BOLT SET	4931428587	4002395842797