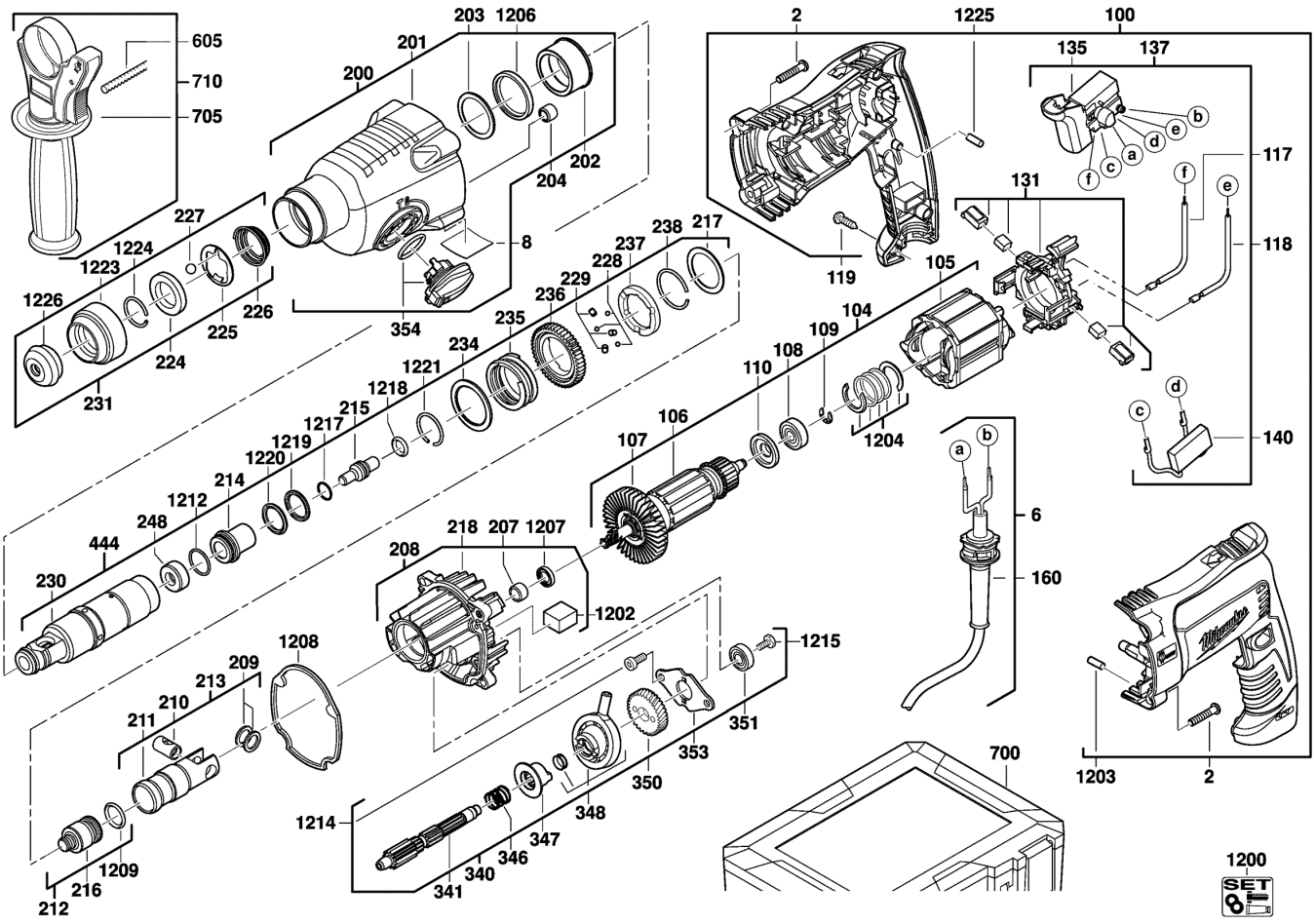


PFH26 ROTARY HAMMER IN2

4933428230 - PFH26 - 4000428231





1200
SET

Position	Quantity	Description	Part number	EAN
0002	4	SCREW	661288001	4002395856282
0006	1	CONNECTION CABLE	201896002	4002395856121
0008	1	RATING PLATE	940045575	4002395854851
0100	1	HOUSING	201242003	4002395855452
0104	1	MOTOR ASSEMBLY	201238002	4002395855650
0105	1	ELECTRIC FIELD	4931454079	4002395287543
0106	1	ARMATURE ASSEMBLY	4931454426	4058546008543
0108	1	BALL BEARING	681479001	4002395856374
0109	1	RING	680260001	4002395855698
0110	1	INSULATING DISC	522260001	4002395854905
0117	1	TERMINAL PLUG	290061255	4002395855544
0118	1	TERMINAL PLUG	290061255	4002395855544
0119	1	SCREW	661283001	4002395856299
0131	1	CLAMPING RING	302393010	4002395855575
0135	1	SWITCH	760251020	4002395855599
0137	1	SWITCH	201894001	4002395856213
0140	1	CAPACITOR	290244009	4002395856329
0160	1	CABLE ENTRY SLEEVE	560103001	4002395856886
0200	1	GEAR BOX	201220006	4002395854790
0201	1	GEAR BOX	350143002	4002395856800
0202	1	SINTERED BEARING	692727001	4002395856954
0203	1	COMPENSATING WASHER	633514001	4002395856244
0204	1	NEEDLE BEARING	4931453736	4002395142149
0207	1	BEARING	680727001	4002395772087
0209	1	WASHER	632400001	4002395856268
0210	1	CYLINDER PIN	692718001	4002395851966
0211	1	CYLINDER	692717001	4002395851959
0212	1	PERC. BODY W SEAL	201233002	4002395854264
0213	1	CYLINDER	4931446932	4002395879984
0214	1	SLEEVE	692722001	4002395851973
0215	1	ANVIL	692590001	4002395851942
0216	1	PERCUSSION BODY	692698001	4002395849635
0217	1	WASHER	633516001	4002395851324
0218	1	END PLATE	201910001	4002395856220
0224	1	RETAINING RING	633521001	4002395856237
0225	1	PLATE	632399001	4002395856275
0226	1	SPRING	672799001	4002395856916
0227	1	BALL	681154001	4002395856367
0228	1	BALL	611405001	4002395851201
0229	1	PIN	681235001	4002395851904
0230	1	SPINDLE SLEEVE	692721002	4002395854165
0231	1	SLEEVE	201219003	4002395856947
0234	1	WASHER	633517001	4002395851331
0235	1	SPRING	692735001	4002395852031
0236	1	REDUCTION GEAR	611291001	4002395850693
0237	1	CLUTCH	4931435089	4002395857678
0238	1	RETAINING RING	672634004	4002395854219
0248	1	CORE LIFTER RING	692725001	4002395852000
0340	1	WOBBLE DRIVE	201240002	4002395855537
0341	1	REDUCT. GEAR SHAFT	611284001	4002395854226

Position	Quantité	Désignation	Référence	EAN
0346	1	SPRING	692733001	4002395856909
0348	1	BALL BEARING	681236001	4002395856381
0350	1	REDUCT GEAR WHEEL	4931453861	4002395275571
0351	1	BALL BEARING	681383001	4002395802050
0353	1	BEARING COVER	633515001	4002395856251
0354	1	SWITCH	4931448984	4002395256167
0444	1	SPINDLE	201223003	4002395855421
0605	1	DEPTH GAUGE	620448002	4002395851218
0700	1	CARRYING CASE	303408009	4002395856176
0705	1	AUXILIARY HANDLE	300188083	4002395856145
0710	1	AUXILIARY HANDLE	120169003	4002395854783
1200	1	MAINTENANCE SET	4931433271	4002395896240
1202	1	FELT STRIP	902505001	4002395857005
1203	1	RUBBER STOP	562007001	4002395854288
1204	1	WASHER	201905001	4002395855551
1206	1	SEAL RING	902076001	4002395854967
1207	1	DATA PLATE	902075001	4002395854974
1208	1	GASKET	562593001	4002395854202
1209	1	O-RING	561994001	4002395854943
1212	1	O-RING	562594001	4002395850648
1214	1	LOCKING SCREW	661286001	4002395851362
1215	1	SCREW	661504001	4002395851379
1217	1	O-RING	4931454454	4058546008826
1218	1	O-RING	562597001	4002395850679
1219	1	WASHER	633518001	4002395851348
1220	1	O-RING	562595001	4002395850655
1221	1	CIRCLIP	672632001	4002395851386
1223	1	CLAMPING SLEEVE	522172001	4002395854295
1224	1	SPRING RING	672631001	4002395856336
1225	1	RUBBER STOP	562578001	4002395856992
1226	1	RUBBER CAP	561993001	4002395854936