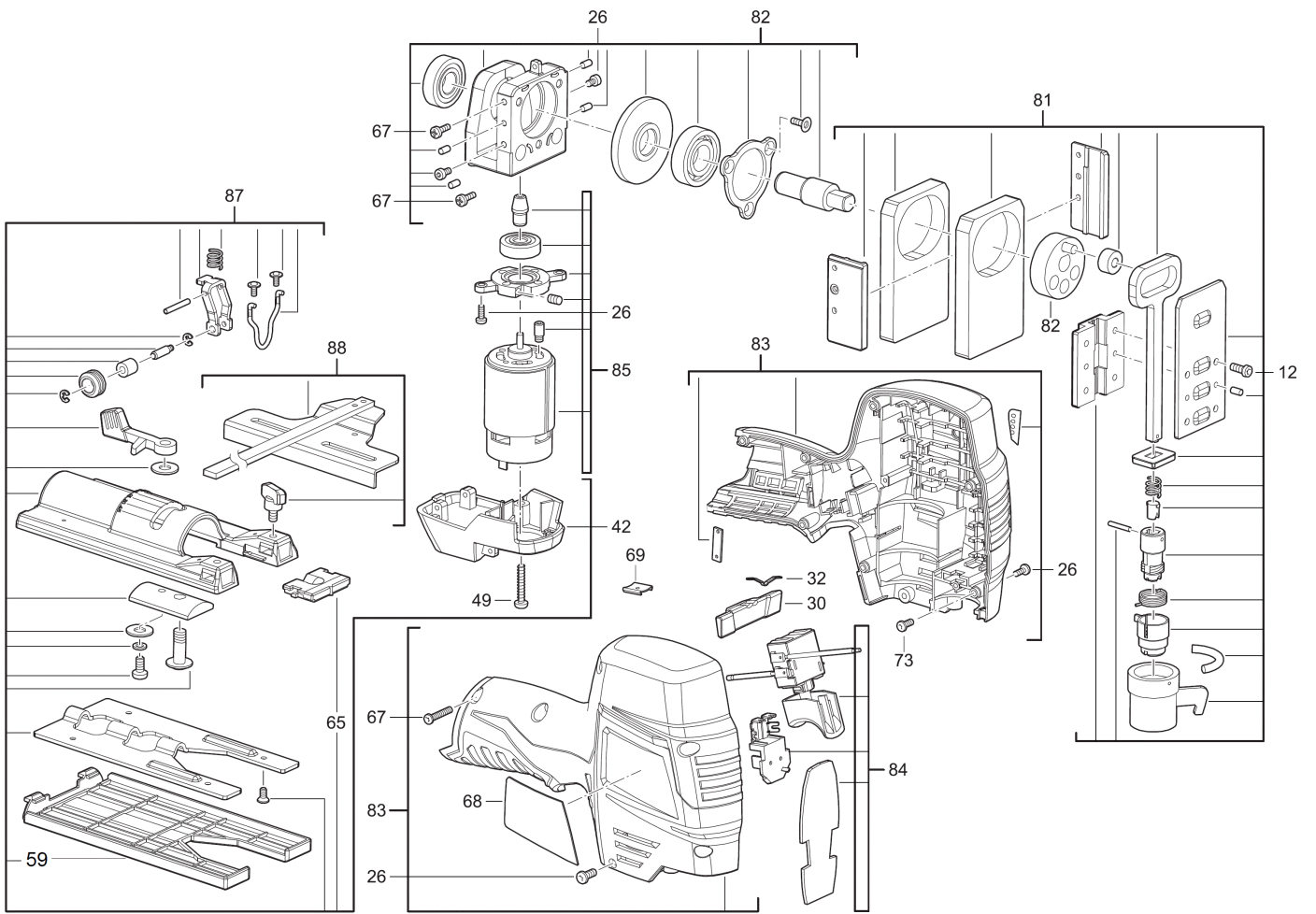


# M12JS-0 JIG SAW NO CHR CARDBOX XXX

4933431305 - M12JS-0 - 4000431291





Position	Quantity	Description	Part number	EAN
0012	1	SCREW	4931435312	4002395901289
0026	1	SCREW	4931435313	4002395901296
0030	1	BUTTON	4931435314	4002395901906
0032	1	SPRING PLATE	4931452341	4002395172528
0042	1	HOUSING	4931435323	4002395901999
0049	1	SCREW	660024024	4002395823758
0059	1	GUIDE SHOE	4931454826	4058546020002
0065	1	ANT-CHIPPING DEVICE	4931431787	4002395895700
0067	1	SCREW	660570005	4002395827329
0068	1	RATING PLATE	4931435315	4002395901913
0069	1	JOINING PART	631542001	4002395822591
0073	1	SCREW	5131000000	
0081	1	SPINDLE	4931435322	4002395901982
0082	1	GEAR BOX ASSY	4931435321	4002395901975
0083	1	HOUSING	4931435320	4002395901968
0084	1	SWITCH ASSEMBLY	4931435319	4002395901951
0085	1	MOTOR ASSEMBLY	4931435318	4002395901944
0087	1	GLIDING SHOE	4931435317	4002395901937
0088	1	GUIDE	5131000000	