

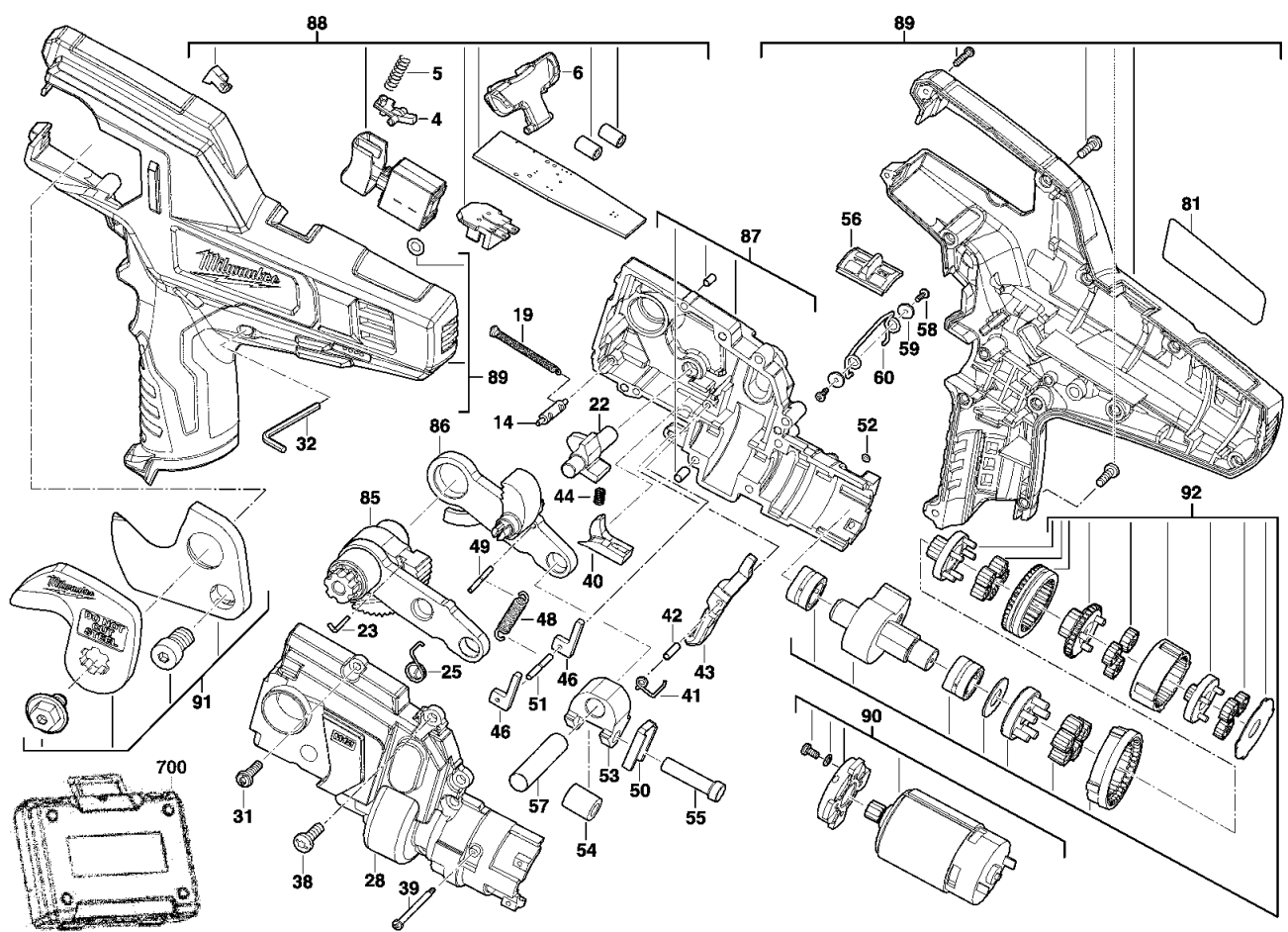
A & M Electric Tools

Battery Tools

Ind	Product No.	Type	Voltage	Country
a	4000431601	M12CC	12V	***

Ind	Product No.	Type	Voltage	Country

Milwaukee			
M 12 CC			
Exp.view No.	Version	Date	Page
4926 4316 05	0001	30.08.12	1/1



Pos	Index	Quanti	Article No.	Designation	Pos	Index	Quanti	Article No.	Designation
0004	a.....	1	4931435564	TURNING KNOB	0051	a.....	1	4931435539	SPRING
0005	a.....	1	4931435565	SPRING	0052	a.....	2	4931435540	NUT
0006	a.....	1	4931435563	BUTTON	0053	a.....	1	4931435541	HOLDER
0014	a.....	1	4931435562	HOLDER	0054	a.....	1	4931435542	HOLDER
0019	a.....	1	4931435561	RATCHET	0055	a.....	1	4931435543	CYLINDER PIN
0022	a.....	1	4931435560	LEVER	0056	a.....	1	4931435544	PUSH BUTTON
0023	a.....	1	4931435559	CYLINDER PIN	0057	a.....	1	4931435545	CYLINDER PIN
0025	a.....	1	4931435558	SPRING	0058	a.....	2	4931435546	SCREW
0028	a.....	1	4931435526	GEAR BOX	0059	a.....	2	4931435547	WASHER
0031	a.....	2	661113008	SCREW	0060	a.....	1	4931435548	SWITCH LEVER
0032	a.....	1	4931435527	HEXAGON SOCKET	0081	a.....	1	4931435549	RATING PLATE
0038	a.....	5	4931435528	SCREW	0085	a.....	1	4931435550	SHAFT
0039	a.....	2	4931435529	SCREW	0086	a.....	1	4931435551	LEVER
0040	a.....	1	4931435530	HOUSING	0087	a.....	1	4931435552	GEAR CASE
0041	a.....	1	4931435531	SPRING	0088	a.....	1	4931435553	SWITCH
0042	a.....	1	4931435532	SPRING	0089	a.....	1	4931435554	HANDLE COMPL.
0043	a.....	1	4931435533	LOCK RELEASE KIT	0090	a.....	1	4931435555	MOTOR ASSEMBLY
0044	a.....	1	4931435534	SPRING	0091	a.....	1	4932430070	SPARE BLADE
0046	a.....	2	4931435535	CYLINDER PIN	0092	a.....	1	4931435556	GEAR BOX KIT
0048	a.....	1	4931435536	SPRING	0700	a.....	1	4931435557	CARRYING CASE
0049	a.....	1	4931435537	SPRING					
0050	a.....	1	4931435538	STAMP					

Repairs/modification and testing of electric power tools are to be carried out by specialists. The safety regulations according to DIN/VDE/CEE/AFNOR and other regulations valid in the different countries are to be observed.