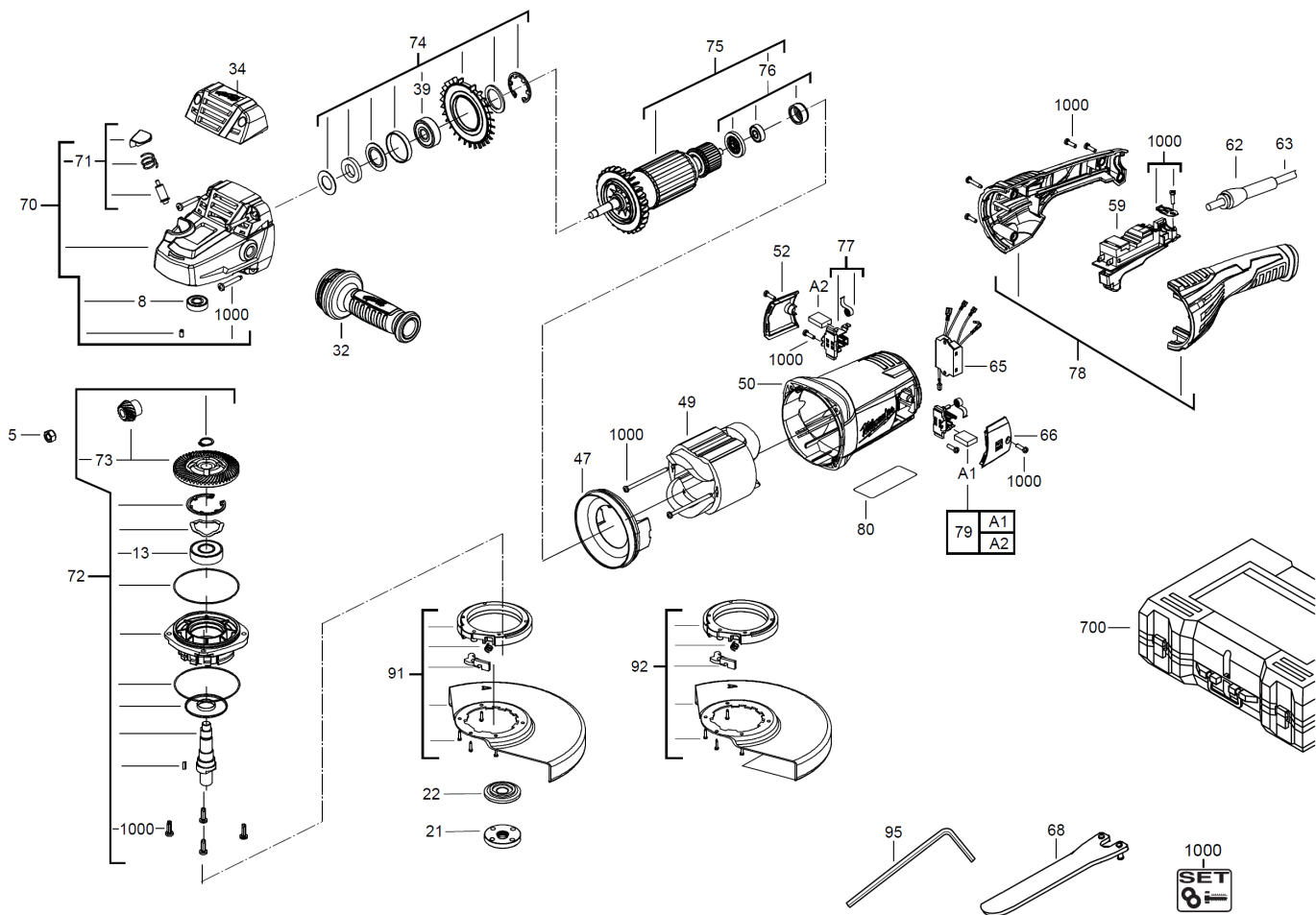


# AGV22-180E ANGLE GRINDER IN2

4933431820 - AGV22-180E - 4000431821





Position	Quantity	Description	Part number	EAN
0005	1	NUT	4931441045	4002395862603
0008	1	BEARING	4931441046	4002395862610
0013	1	BEARING	4931441047	4002395862627
0021	1	FLANGE NUT	4931441048	4002395862634
0022	1	FLANGE	4931441049	4002395862641
0032	1	HANDLE COMPL.	4931441051	4002395863358
0034	1	GEAR BOX	4931441052	4002395863365
0039	1	BEARING	4931441053	4002395863372
0047	1	AIR DEFLECTOR RING	4931441054	4002395863389
0049	1	ELECTRIC FIELD	4931441055	4002395863396
0050	1	HOUSING SET ASSY	4931441057	4002395864010
0052	1	BRUSH COVER	4931441058	4002395864027
0059	1	SWITCH	4931441063	4002395864065
0062	1	PROTECTING COVER	4931441064	4002395864072
0063	1	CABLE	4931441067	4002395861309
0065	1	ELECTRONIC	4931441073	4002395861330
0066	1	BRUSH COVER	4931441074	4002395861347
0068	1	WRENCH	4931441075	4002395861354
0070	1	GEAR KIT	4931441090	4002395863419
0071	1	INTERLOCK ELEMENT	4931441091	4002395863426
0072	1	SPINDLE	4931441094	4002395863457
0073	1	GEAR BOX	4931441096	4002395863471
0074	1	BEARING KIT	4931441098	4002395863495
0075	1	ARMATURE	4931441099	4002395864102
0076	1	BALL BEARING	4931441101	4002395864126
0077	1	BRUSH HOLDER COMPL.	4931441102	4002395864133
0078	1	HOUSING	4931441103	4002395864140
0079	1	CARBON BRUSH SET	4931441104	4002395864157
0091	1	GUARD CAP	201256002	4002395801725
0092	1	CUTTING GUARD	4931428098	4002395896820
0700	1	CARRYING CASE	4931441113	4002395863044
1000	1	BOLT SET	4931441114	4002395861408