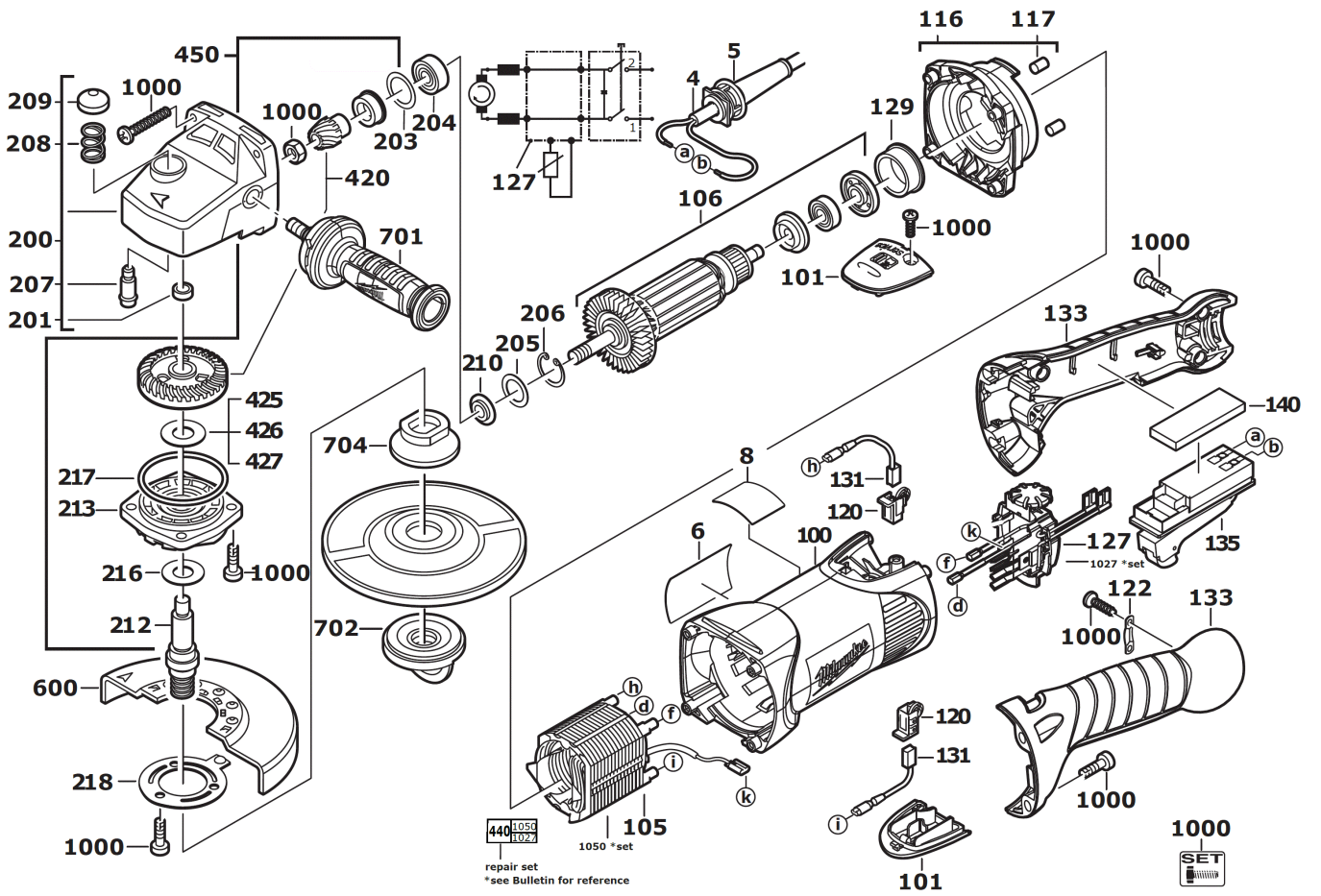


AGV17-125XE DMS ANGLE GRINDER IN2

4933432690 - AGV17-125XE DMS IN2 - 4000432691





Position	Quantity	Description	Part number	EAN
0004	1	CONNECTION CABLE	4931623311	4002395701292
0005	1	PROTECTING COVER	4931409552	4002395801107
0006	1	RATING PLATE	5131000000	
0008	1	ADHESIVE LABEL	4931442232	4002395873579
0100	1	MOTOR HOUSING	4931432246	4002395897506
0101	2	COVER	4931378566	4002395684199
0105	1	ELECTRIC FIELD	4931442732	4002395883936
0106	1	ARMATURE ASSEMBLY	4931442665	4002395883820
0116	1	AIR DEFLECTOR RING	4931395204	4002395827701
0117	2	HOLDING-DOWN DEVICE	4931409768	4002395847617
0120	2	BRUSH HOLDER	4931382268	4002395690961
0122	1	CABLE COLLAR	4931256500	4002395586547
0127	1	ELECTRONIC ELEMENT	4931432241	4002395897537
0129	1	BEARING SLEEVE	4931326953	4002395607846
0131	1	CARBON BRUSH SET	4931381391	4002395726936
0133	1	HANDLE	4931378765	4002395684595
0135	1	SWITCH	4931378949	4002395685240
0140	1	SEAL	4931407251	4002395790760
0200	1	GEAR BOX	4931412193	4002395798919
0201	1	SLEEVE N874989 HKO 0810	4931912093	4002395706464
0203	1	WASHER	4931362085	4002395660254
0204	1	GROOVED BALL BEAR.	4931368037	4002395670642
0205	1	DISC	4931622761	4002395699056
0206	1	LOCKING RING	4931616614	4002395694624
0207	1	LOCKING BOLT	4931326929	4002395607785
0208	1	PRESSURE SPRING	4931326942	4002395607822
0209	1	PUSH-BUTTON	4931326930	4002395607792
0210	1	WASHER	4931624287	4002395732098
0212	1	SPINDLE	4931409808	4002395837168
0213	1	BEARING END PLATE	4931378310	4002395683789
0216	1	DISC	4931623480	4002395702398
0217	1	SEAL RING	4931623590	4002395702992
0218	1	SPRING WASHER	4931345965	4002395633623
0420	1	BEVEL GEAR PAIR	4931369937	4002395674510
0425	1	DISC N874237 12,2X22X0,1	4931808473	4002395727544
0426	1	DISC N874237 12,2X22X0,2	4931925940	4002395706624
0427	1	DISC	4931624256	4002395723379
0440	1	REPAIR KIT	4931463373	4058546245023
0450	1	DRIVE GEAR	4931391476	4002395735884
0600	1	GUARD CAP	4931407642	4002395798834
0701	1	AUXILIARY HANDLE	4931432245	4002395898886
1000	1	CONNECTION SET	4931432260	4002395893454
0702	1	FIXTEC NUT P1	4932352473	4002395371327
0704	1	CLAMPING FLANGE WS115-230 P1 A/M	4932449324	4002395245185