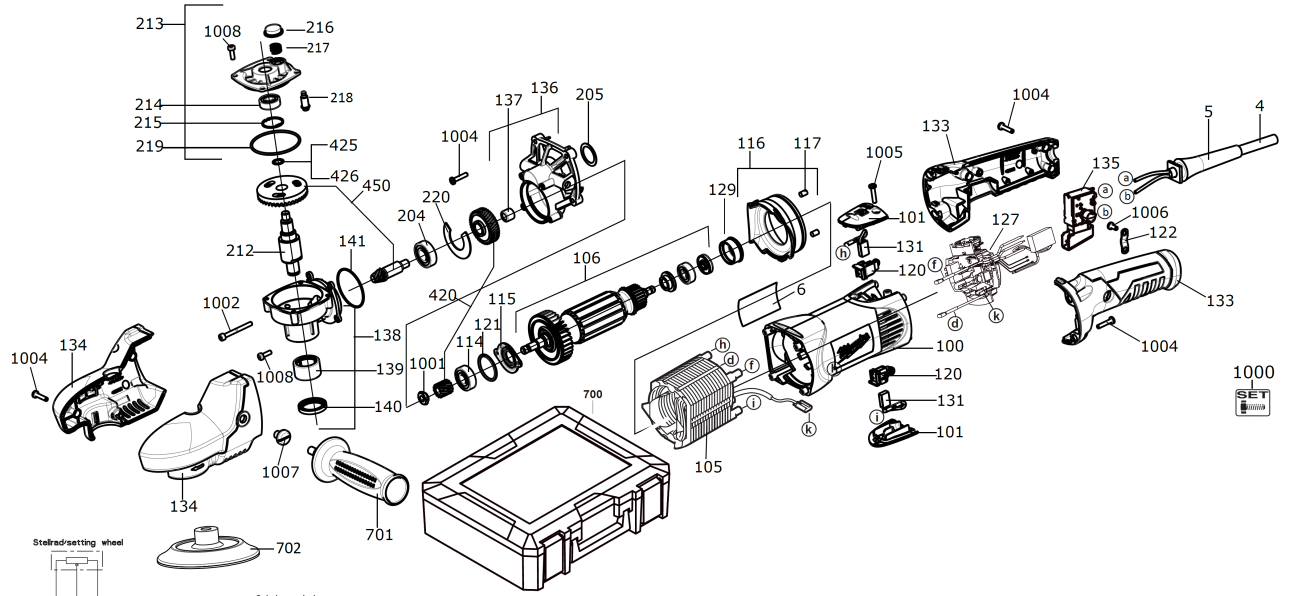


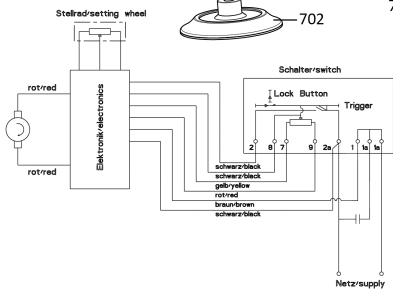
AP14-2 200E ANGLE POLISHER IN2

4933432800 - AP14-2 200 E - 4000463176





1000
SET



Position	Quantity	Description	Part number	EAN
0004	1	CONNECTION CABLE	4931624729	4002395865819
0005	1	CABLE ENTRY SLEEVE	4931359575	4002395653607
0006	1	RATING PLATE	4931463180	4058546241414
0100	1	HOUSING SET ASSY	4931432849	4002395874712
0101	2	COVER	4931378566	4002395684199
0105	1	ELECTRIC FIELD	4931463366	4002395175390
0106	1	ARMATURE ASSEMBLY	4931442923	4002395884711
0114	1	GROOVED BALL BEAR.	4931368037	4002395670642
0115	1	BEARING COVER	4931432843	4002395866540
0116	1	AIR DEFLECTOR RING	4931378135	4002395683123
0117	2	HOLDING-DOWN DEVICE	4931409768	4002395847617
0120	2	BRUSH HOLDER	4931382268	4002395690961
0121	1	SEAL RING	4931623961	4002395704934
0122	1	CABLE COLLAR	4931256500	4002395586547
0127	1	ELECTRONIC ELEMENT	4931463364	4058546241520
0129	1	BEARING SLEEVE	4931326953	4002395607846
0131	1	CARBON BRUSH SET	4931381391	4002395726936
0133	1	HANDLE HALF	4931432810	4002395867103
0134	1	GEAR BOX	4931432820	4002395867110
0135	1	POTENTIOMETER	4931432833	4002395872527
0136	1	GEAR BOX	4931432834	4002395866984
0137	1	SLEEVE N874989 HKO 0810	4931912093	4002395706464
0138	1	GEAR BOX	4931432835	4002395866991
0139	1	NEEDLE BEARING	4931624726	4002395865192
0140	1	SEAL RING N874724 22X30X4	4931928566	4002395706686
0141	1	O-RING	4931624728	4002395865802
0204	1	BALL BEARING	4931624724	4002395865178
0205	1	WASHER	4931362085	4002395660254
0212	1	SPINDLE	4931432828	4002395865147
0213	1	GEAR BOX COVER	4931432832	4002395866977
0214	1	BALL BEARING	4931624725	4002395865185
0215	1	LOCKING RING D 472 22X1	4931613683	4002395694181
0216	1	COVER	4931432839	4002395867127
0217	1	PRESSURE SPRING	4931303788	4002395592050
0218	1	LOCKING BOLT	4931362321	4002395660599
0219	1	SEAL RING N874701 40X2	4931623679	4002395703340
0220	1	CUP SPRING	4931432840	4002395865161
0420	1	SPINDLE GEAR	4931442379	4002395877713
0425	1	DISC N874237 8,1X12X0,1	4931808410	4002395706143
0426	1	DISC N874237 8,1X12X0,2	4931908727	4002395706419
0450	1	BEVEL GEAR PAIR	4931442378	4002395877720
0700	1	CARRYING CASE SIZE2 MET	4932383162	4002395349463
0701	1	HOLDING GRIP	4931369805	4002395674244
0702	1	Polish Back Pad M14 HL 125mm-1pc	4932430394	4002395380558
1000	1	CONNECTION SET	5131000000	
1001	1	NUT	4931326952	4002395607839
1002	2	SCREW	4931624732	4002395872534
1004	14	SCREW N874101-1 SHR H-K4X18 T15	4931624515	4002395757367
1005	2	SCREW	4931623591	4002395703005
1006	2	SCREW	4931624538	4002395760039

Position	Quantité	Désignation	Référence	EAN
1007	2	SCREW	4931624733	4002395885527
1008	6	SCREW	4931624581	4002395768295