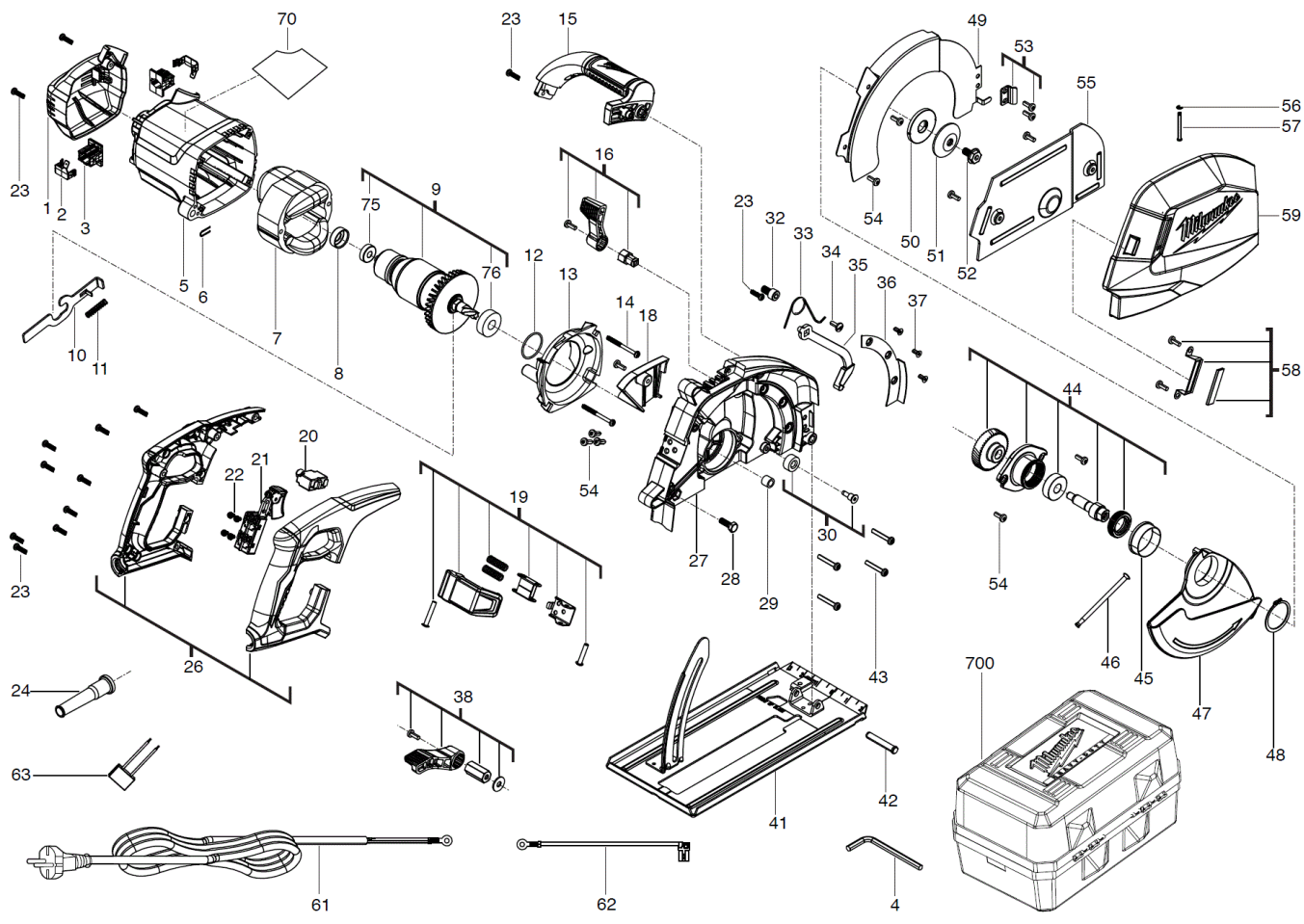


MCS66 CIRCULAR SAW IN2

4933440615 - MCS66 - 4000440616





Position	Quantity	Description	Part number	EAN
0001	1	MOTOR HOUSING	4931435679	4002395865963
0002	1	CARBON BRUSH	4931435680	4002395863785
0003	1	BRUSH HOLDER	22220030	4002395881543
0004	1	WRENCH CHAIN	5131000000	
0005	1	MOTOR HOUSING	4931435681	4002395864577
0006	1	SPRING WASHER	4931435682	4002395865246
0007	1	ELECTRIC FIELD	4931440622	4002395865765
0008	1	RUBBER BUFFER	4931435683	4002395864584
0009	1	ARMATURE	4931435684	4002395863723
0010	1	SPINDLE LOCK	4931435685	4002395865918
0011	1	SPINDLE LOCK	4931435686	4002395865239
0012	1	O-RING	34401375	4058546072117
0013	1	AIR DEFLECTOR RING	4931435687	4002395864546
0014	2	SCREW	5131000000	
0015	1	HANDLE	4931435688	4002395863730
0016	1	SAFTY GUARD	4931435689	4002395864553
0018	1	PROTECTING COVER	4931435690	4002395864522
0019	1	LOCK	4931435691	4002395864454
0020	1	FUSE	4931435692	4002395864515
0021	1	SWITCH	4931435693	4002395865932
0022	4	SCREW	5131000000	
0023	13	SCREW	06827270	4058546068974
0024	1	CABLE ENTRY SLEEVE	44760210	4058546074104
0026	1	HANDLE	4931435694	4002395865215
0027	1	GEAR BOX	4931435695	4002395864416
0028	1	SCREW	06755860	4058546068745
0029	1	NEEDLE BEARING	4931435696	4002395864492
0030	1	GUARD	42380222	4058546073053
0032	1	SCREW	4931435697	4002395864485
0033	1	SPRING	4931435698	4002395865253
0034	1	SCREW	5131000000	
0035	1	GUARD	5131000000	
0036	1	PUNCH GUIDE	4931435701	4002395865284
0037	3	SCREW	4931435702	4002395865956
0038	1	Lever for depth gauge	4931435703	4002395864539
0041	1	BASE PLATE	4931435704	4002395865222
0042	1	PIN	44601180	4058546073909
0043	4	SCREW	4931435705	4002395865260
0044	1	ECCENTRIC SHAFT	4931435706	4002395864430
0045	1	PROTECTIVE SLEEVE	4931435707	4002395864560
0046	1	SPRING	40500045	4058546072674
0047	1	HOUSING	4931435708	4002395864423
0048	1	THRUST COLLAR	34600860	4058546072247
0049	1	GUARD	4931435709	4002395865901
0050	1	FLANGE	4931435710	4002395864447
0051	1	FLANGE	4931435711	4002395864508
0052	1	SCREW	660988001	4002395903795
0053	1	COVER	4931435712	4002395865291
0054	16	SCREW TORX SCREW	06825314	4002395851935
0055	1	STAMP	4931435713	4002395865277

Position	Quantité	Désignation	Référence	EAN
0056	1	SPRING	4931435714	4002395865925
0057	1	CLAMPING BOLT	4931435715	4002395863792
0058	1	GUARD	4931435716	4002395865970
0059	1	COVER	4931435717	4002395864409
0061	1	CONNECTION CABLE	4931435718	4002395864591
0062	1	CABLE	5131000000	
0063	1	CAPACITOR	4931435720	4002395863778
0070	1	RATING PLATE	5131000000	
0075	1	BALL BEARING	4931435722	4002395863747
0076	1	BALL BEARING	4931435723	4002395863754
0700	1	CARRYING CASE	4931435724	4002395863761