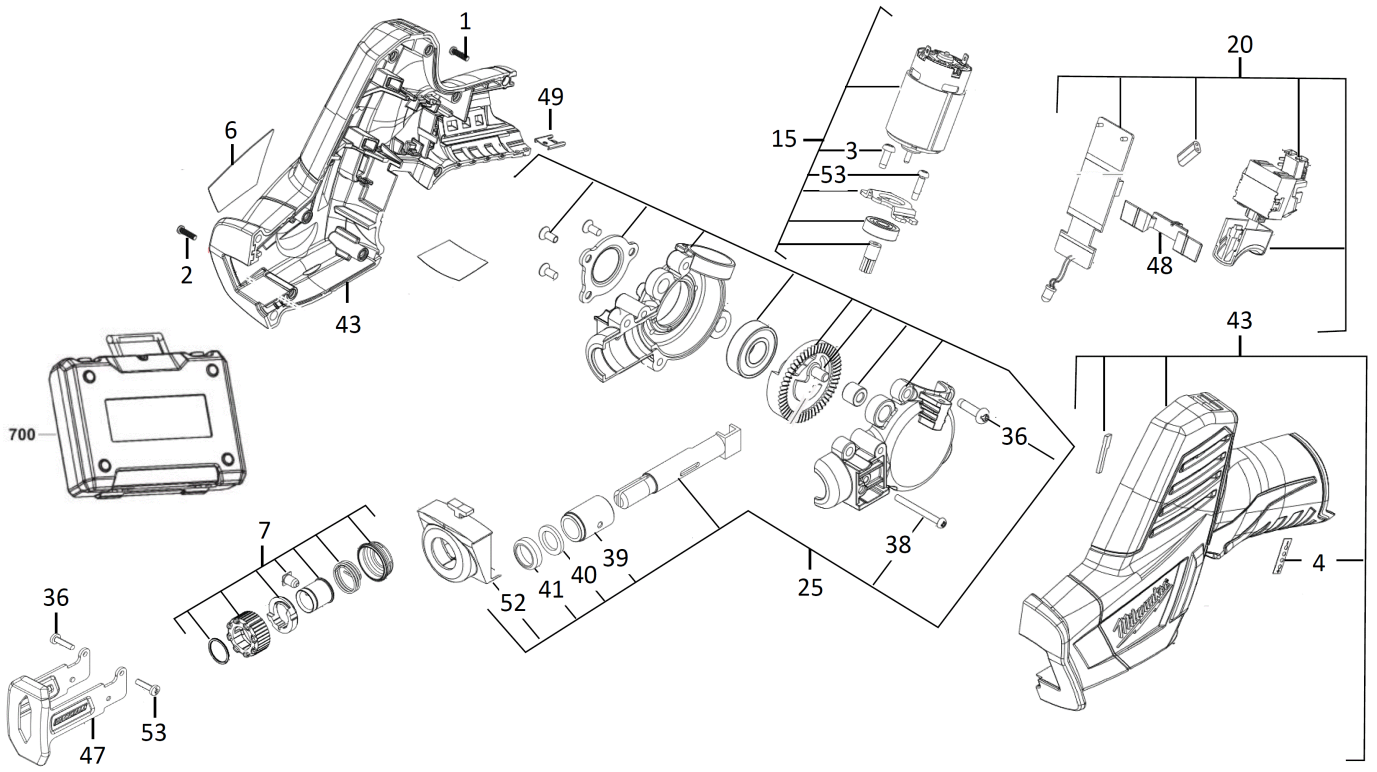


M12BPP2C-402B SET POWERPACK IN2

4933441230 - M12BPP2C-402B - 4000467089



Position	Quantity	Description	Part number	EAN
0001	3	SCREW	201046001	4002395802685
0002	5	SCREW	201047001	4002395802692
0003	1	SCREW	5131000000	
0004	1	STICKER	5131000000	
0006	1	RATING PLATE	4931466827	4058546280444
0007	1	NOSEPIECE	200783002	4002395802739
0015	1	MOTOR	4931466828	4058546280451
0020	1	SWITCH ASSEMBLY	4931433296	4002395901746
0025	1	GEAR BOX ASSY	4931466829	4058546280468
0036	5	SCREW	5131000000	
0038	1	SCREW	4931466830	4058546280475
0039	1	BUSH	201053001	4002395802791
0040	1	FELT	201054001	4002395802807
0041	1	COVER	201055001	4002395802814
0043	1	HANDLE COMPL.	200785002	4002395802821
0047	1	STOP	201056001	4002395802838
0048	1	GUIDE PIECE	201057001	4002395802845
0049	1	CONNECTOR	4931436292	4002395252909
0052	1	GUARD PLUG	4931466831	4058546280482
0053	2	SCREW	660024030	4002395826957
0700	1	CARRYING CASE	201059001	4002395802869
0001	2	M12B4 LI-ION BATTERY PACK 4.0AH XXX	4932430065	4002395377268