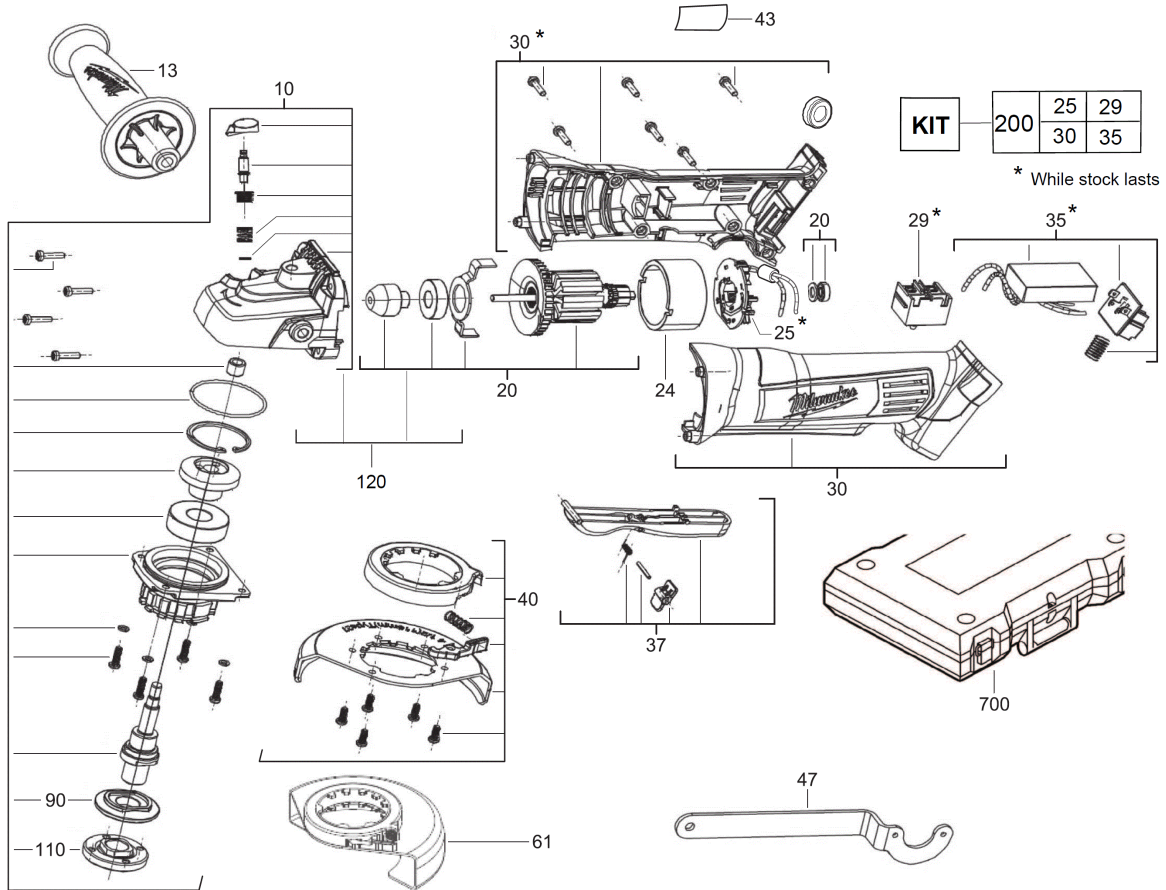


HD18AG115-402C BTY. ANGLE GRINDER IN2

4933441300 - HD18AG115-402C IN2 - 4000431373





Position	Quantity	Description	Part number	EAN
0010	1	GEAR BOX	5131000000	
0013	1	HOLDING GRIP	340067001	4002395814763
0020	1	ARMATURE	5131000000	
0024	1	ELECTRIC FIELD	4931440971	4002395863198
0025	1	CARBON BRUSH SET	4931431774	4002395898473
0029	1	SWITCH ON-OFF	5131000000	
0030	1	HOUSING	200074004	4002395814695
0035	1	ELECTRONIC ELEMENT	5131000000	
0037	1	SWITCH BUTTON	200979003	4002395814749
0040	1	GUARD CAP	4931433327	4002395898336
0043	1	RATING PLATE	4931431819	4002395898497
0047	1	WRENCH 5/8	632145001	4002395814770
0061	1	GUARD CAP	4931411208	4002395824915
0090	1	FLANGE	4931461674	4058546039073
0110	1	FLANGE NUT	4931441309	4002395887699
0120	1	GEAR KIT with armature	4931448733	4002395181230
0200	1	HOUSING/SWITCH/PCBA ASSY	4931466314	4058546275310
0700	1	CARRYING CASE	200230015	4002395814701
0001	2	M18B4 LI-ION BATTERY PACK 4.0AH XXX	4932430063	4002395377244