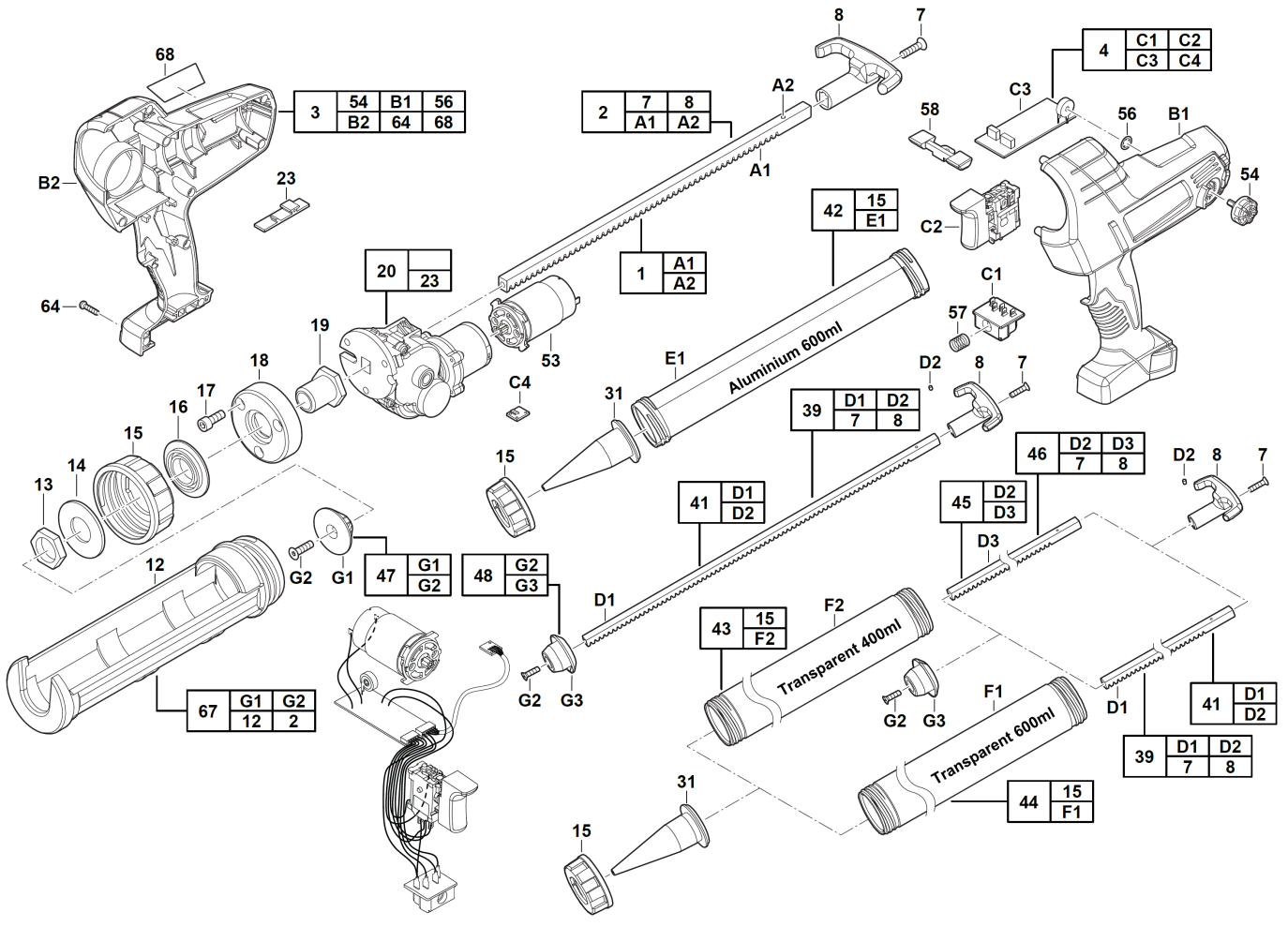


C18PCG 600A-201B CAULK A.ADHESI.GUN IN2

4933441305 - C18PCG600A201B - 4000431581





Position	Quantity	Description	Part number	EAN
0001	1	ROD	201885001	4002395859870
0003	1	HANDLE COMPL.	201870002	4002395858729
0004	1	SWITCH ASSEMBLY	201855001	4002395855209
0007	1	SCREW	661462001	4002395857555
0008	1	HANDLE	522615001	4002395857494
0012	1	CARTRIDGE HOLDER	201927001	4002395860319
0013	1	HEXAGON NUT	661434001	4002395857548
0014	1	WASHER	633626001	4002395857524
0015	1	CARTRIDGE HOLDER	522614001	4002395857487
0016	1	SPACER	522613001	4002395857470
0017	3	SCREW	661474001	4002395857562
0018	1	FRONT PLATE	522689001	4002395857517
0019	1	NUT	692801001	4002395857579
0020	1	GEAR BOX ASSY	201856001	4002395855216
0023	1	PLATE	522748001	4002395859054
0031	1	NOZZLE CG Nozzle P1M	522618001	4002395857500
0039	1	PLUNGER RODS CGun pl rod 600 P1M	48091091	45242263165
0041	1	ROD	201887001	4002395859887
0045	1	PLUNGER RODS	201958001	4002395860326
0046	1	ROD	48091090	45242263158
0053	1	MOTOR ASSEMBLY	201854001	4002395854592
0054	1	SPEED CONTROL	350575001	4002395860333
0056	1	NUT	633690001	4002395857531
0057	1	SPRING	4931408243	4002395814466
0058	1	LOCKING PART	522574001	4002395857463
0064	1	SCREW	660031017	4002395825189
0067	1	CARTRIDGE HOLDER CGun 310ml carrg P1M	48081076	45242263127
0068	1	NAME PLATE	940038285	4002395857586
0001	1	M18B2 LI-ION BATTERY PACK 2.0AH XXX	4932430062	4002395377237
0002	1	PLUNGER RODS CGUN PL ROD 310 P1M	4932352937	4002395375950
0042	1	SET CGUN 600ML ALUM P1M	4932352845	4002395375035
0043	1	SET CGUN 400ML TRANS P1M	4932352842	4002395375004
0044	1	SET CGUN 600ML TRANS P1M	4932352843	4002395375011
0047	1	PISTON	44700330	45242260928
0048	1	PISTON	44700375	45242277438