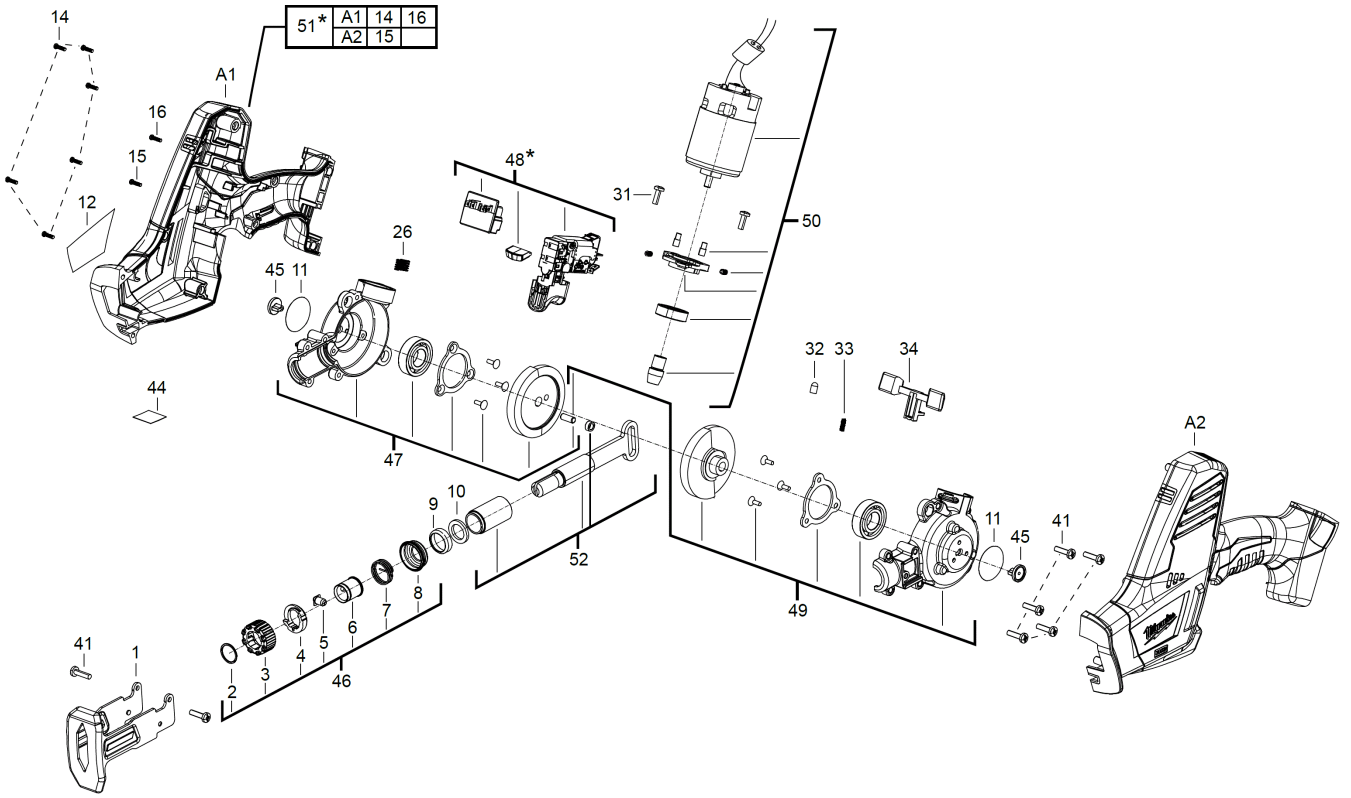


# C18HZ-402B 230V BATT.RECIPROCAT.SAW IN2

4933441340 - C18HZ402B - 4000431378





|     |    |    |    |
|-----|----|----|----|
| 51* | A1 | 14 | 16 |
|     | A2 | 15 |    |

|     |    |    |    |    |    |
|-----|----|----|----|----|----|
| KIT | 60 | A1 | 12 | 15 | 48 |
|     |    | A2 | 14 | 16 |    |

\* While stock lasts

| Position | Quantity | Description                         | Part number | EAN           |
|----------|----------|-------------------------------------|-------------|---------------|
| 0001     | 1        | MATRIX                              | 633196001   | 4002395831562 |
| 0002     | 1        | PROTECTION WASHER                   | 672184001   | 4002395830725 |
| 0003     | 1        | CAM PLATE                           | 672192001   | 4002395831708 |
| 0004     | 1        | CLAMPING RING                       | 42500077    | 4058546073145 |
| 0005     | 1        | INTERLOCK ELEMENT                   | 691261001   | 4002395830671 |
| 0006     | 1        | SLEEVE                              | 672200001   | 4002395830749 |
| 0007     | 1        | SPRING ELEMENT                      | 40500161    | 4058546072704 |
| 0008     | 1        | LID                                 | 5131000000  |               |
| 0009     | 1        | COVER                               | 633222001   | 4002395831579 |
| 0010     | 1        | FELT                                | 902393001   | 4002395830732 |
| 0011     | 1        | STICKER                             | 902430001   | 4002395830596 |
| 0012     | 1        | RATING PLATE                        | 4931431757  | 4002395893324 |
| 0014     | 1        | SCREW                               | 660031016   | 4002395825172 |
| 0015     | 1        | SCREW                               | 661081001   | 4002395830787 |
| 0016     | 1        | SCREW M3,5 Torx 10                  | 660031023   | 4002395831623 |
| 0026     | 1        | SPRING                              | 4931408243  | 4002395814466 |
| 0031     | 1        | SCREW                               | 661113007   | 4002395824502 |
| 0032     | 1        | INDEXING SLEEVE                     | 633289001   | 4002395831586 |
| 0033     | 1        | SPRING                              | 692505001   | 4002395830763 |
| 0034     | 1        | GUIDE                               | 520515001   | 4002395831142 |
| 0041     | 1        | SCREW                               | 661113008   | 4002395830077 |
| 0044     | 1        | WARNING PLATE                       | 940230187   | 4002395830800 |
| 0045     | 1        | GUIDE                               | 520811001   | 4002395831159 |
| 0046     | 1        | NOSEPIECE                           | 200783002   | 4002395802739 |
| 0047     | 1        | GEAR BOX COVER                      | 201400002   | 4002395830626 |
| 0048     | 1        | SWITCH KIT                          | 5131000000  |               |
| 0049     | 1        | GEAR BOX                            | 201399002   | 4002395830633 |
| 0050     | 1        | MOTOR ASSEMBLY                      | 4931453259  | 4002395159246 |
| 0051     | 1        | HANDLE SET                          | 5131000000  |               |
| 0052     | 1        | SPINDLE KIT                         | 4931461469  | 4058546037024 |
| 0060     | 1        | BODY HOUSINGÂ +SWITCH               | 4931446736  | 4002395875559 |
|          | 1        | M18B4 LI-ION BATTERY PACK 4.0AH XXX | 4932430063  | 4002395377244 |