

Milwaukee®

Nothing but **HEAVY DUTY**®



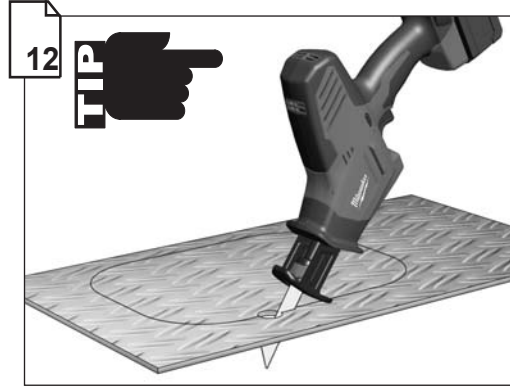
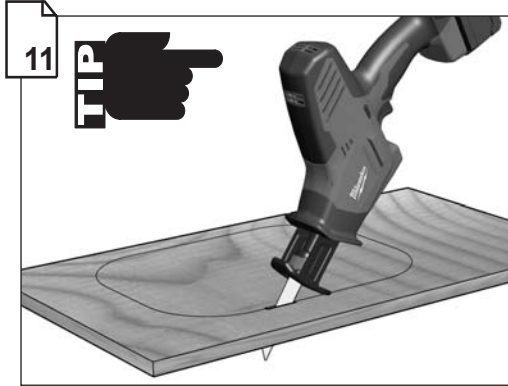
C 18 HZ

Original instructions
Originalbetriebsanleitung
Notice originale
Istruzioni originali
Manual original
Oorspronkelijke
gebruiksaanwijzing
Original brugsanvisning
Original bruksanvisning
Bruksanvisning i original
Alkuperäiset ohjeet

Πρωτότυπο οδηγιών χρήσης
Orijinal işletme talimatı
Původním návodem k
používání
Původný návod na použitie
Instrukcją oryginalną
Eredeti használati utasítás
Izvirna navodila
Originalne pogonske upute
Instrukcijām oriģinālvalodā
Originali instrukcija

Algupärane kasutusjuhend
Оригинальное руководство
по эксплуатации
Оригинално ръководство за
експлоатация
Instrucțiuni de folosire
originale
Оригинален прирачник за
работа
原始的指南
التعليمات الأصلية

Technical Data, Safety instructions, Specified Conditions of Use, EC-Declaration of Conformity, Batteries, Maintenance, Symbols	Please read and save these instructions!	ENGLISH	14
Technische Daten, Sicherheitshinweise, Bestimmungsgemäße Verwendung, CE-Konformitätserklärung, Akkus, Wartung, Symbole	Bitte lesen und aufbewahren!	DEUTSCH	16
Caractéristiques techniques, Instructions de sécurité, Utilisation conforme aux prescriptions, Déclaration CE de Conformité, Accus, Entretien, Symboles	Prière de lire et de conserver!	FRANÇAIS	18
Dati tecnici, Norme di sicurezza, Utilizzo conforme, Dichiarazione di Conformità CE, Batterie, Manutenzione, Simboli	Si prega di leggere le istruzioni e di conservarle!	ITALIANO	20
Datos técnicos, Instrucciones de seguridad, Aplicación de acuerdo a la finalidad, Declaración de Conformidad CE, Batería, Mantenimiento, Símbolos	Lea y conserve estas instrucciones por favor!	ESPAÑOL	22
Características técnicas, Instruções de segurança, Utilização autorizada, Declaração de Conformidade CE, Acumulador, Manutenção, Símbolo	Por favor leia e conserve em seu poder!	PORTUGUES	24
Technische gegevens, Veiligheidsadviezen, Voorgeschreven gebruik van het systeem, EC-Konformiteitsverklaring, Akku, Onderhoud, Symbolen	Lees en let goed op deze adviezen!	NEDERLANDS	26
Tekniske data, Sikkerhedshenvisninger, Tiltænkt formål, CE-Konformitetserklæring, Batteri, Vedligeholdelse, Symboler	Vær venlig at læse og opbevare!	DANSK	28
Tekniske data, Spesielle sikkerhetshenvisninger, Formålmessig bruk, CE-Samsvarserklæring, Batterier, Vedlikehold, Symboler	Vennligst les og oppbevar!	NORSK	30
Tekniska data, Säkerhetsutrustning, Använd maskinen Enligt anvisningarna, CE-Försäkran, Batterier, Skötsel, Symboler	Var god läs och tag tillvara dessa instruktioner!	SVENSKA	32
Tekniset arvot, Turvallisuusohjeet, Tarkoituksenmukainen käyttö, Todistus CE-standardinmukaisuudesta, Akku, Huolto, Symbolit	Lue ja säilytä!	SUOMI	34
Τεχνικά στοιχεία, Σημαντικές οδηγίες ασφαλείας, Χρήση σύμφωνα με το σκοπο προορισμού, Δήλωση πιστοποίησης εκ, Μπαταρίες, Συντήρηση, Σύμβολα	Παρακαλείσθε να τις διαβάσετε και να τις φυλάξετε!	ΕΛΛΗΝΙΚΑ	36
Teknik veriler, Güvenliğinin için talimatlar, Kullanım, CE uygunluk beyanice, Akü, Bakım, Semboller	Lütfen okuyun ve saklayın	TÜRKÇE	38
Technická data, Speciální bezpečnostní upozornění, Oblast využití, Ce-prohlášení o shodě, Akumulátory, Údržba, Symboly	Po přečtení uschovejte	ČESKY	40
Technické údaje, Špeciálne bezpečnostné pokyny, Použitie podľa predpisov, CE-Vyhlasenie konformity, Akumulátory, Údržba, Symboly	Prosím prečítat a uschovať!	SLOVENSKY	42
Dane techniczne, Specjalne zalecenia dotyczace bezpieczenstwa, Uzytkowanie zgodnie z przeznaczeniem, Swiadectwo zgodnosci ce, Baterie akumulatorowe, Gwarancja, Symboly	Prosimy o uwazne przeczytanie i przesiarganie zalececi zamie szczonych w tej instrukcji.	POLSKI	44
Műszaki adatok, Különleges biztonsági tudnivalók, Rendeltetésszerű használat, Ce-azonossági nyilatkozat, Akkuk, Karbantartás, Szimbólumok	Olvassa el és őrizze meg	MAGYAR	46
Tehnični podatki, Specialni varnostni napotki, Uporaba v skladu z namembnostjo, Ce-izjava o konformnosti, Akumulatorji, Vzdrževanje, Simboli	Prosimo preberite in shranite!	SLOVENSKO	48
Tehnički podaci, Specijalne sigurnosne upute, Propisna upotreba, CE-Izjava konformnosti, Baterije, Održavanje, Simboli	Molimo pročitati i sačuvati	HRVATSKI	50
Tehniskie dati, Speciālie drošības noteikumi, Noteikumiem atbilstošs izmantojums, Atbilstība CE normām, Akumulātori, Apkope, Simboli	Pielikums lietošanas pamācībai	LATVISKI	52
Techiniai duomenys, Ypatingos saugumo nuorodos, Naudojimas pagal paskirtį, CE Atitikties pareiškimas, Akumuliatoriai, Techninis aptarnavimas, Simboliai	Prašome perskaityti ir neišmesti!	LIETUVIŠKAI	54
Tehnilised andmed, Spetsiaalsed turvajuhted, Kasutamine vastavalt otstarbele, EÜ Vastavusavaldus, Akud, Hooldus, Sümbolid	Palun lugege läbi ja hoidke alal!	EESTI	56
Технические данные, Важные инструкции по технике безопасности, Использование, Декларация о соответствии стандартам ес, Аккумулятор, Обслуживание, Символы	Пожалуйста прочтите и сохраните эту инструкцию	РУССКИЙ	58
Технически данни, Важни инструкции за безопасност, Използване по предназначение, Се - декларация за съответствие, Аккумулятори, Поддръжка, Символи	Моля прочетете и запазете!	БЪЛГАРСКИ	60
Date tehnice, Instrucțiuni de securitate, Condiții de utilizare specificate, Declarație de conformitate, Alimentare de la rețea, Intreținere, Simboluri	Va rugăm citiți și păstrați aceste instrucțiuni	ROMÂNIA	62
Технички Податоци, Упатство За Употреба, Специфицирани Услови На Употреба, Еу-декларација За Сообразност, Батерии, Одржување, Символи	Ве молиме прочитајте го и чувајте го ова упатство!	МАКЕДОНСКИ	64
技术数据, 特殊安全指示, 正确地使用机器, 欧洲安全规定说明, 蓄电池, 维修, 符号	请详细阅读并妥善保存!	中文	66
البيانات الفنية، تعليمات السلامة، شروط الاستخدام المحددة، إعلان المطابقة - الاتحاد الأوروبي، البطاريات، الخصائص، الصيانة، زومرلا	يرجى قراءة هذه التعليمات وحفظها في مكان آمن!	عربي	71

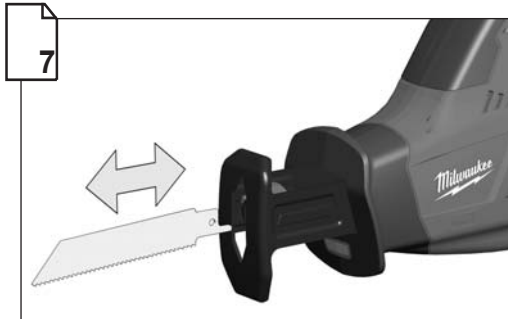


Remove the battery pack before starting any work on the machine.
 Vor allen Arbeiten an der Maschine den Wechselakku herausnehmen
 Avant tous travaux sur la machine retirer l'accu interchangeable.
 Prima di iniziare togliere la batteria dalla macchina.

Retire la batería antes de comenzar cualquier trabajo en la máquina.
 Antes de efectuar cualquier intervención na máquina retirar o bloco acumulador.
 Voor alle werkzaamheden aan de machine de akku verwijderen.
 Ved arbejde inden i maskinen, bør batteriet tages ud.
 Ta ut vekselbatteriet før du arbeider på maskinen.
 Drag ur batteripaket innan arbete utföres på maskinen.
 Ota akku pois ennen kaikkia koneeseen tehtäviä toimenpiteitä.
 Πριν από κάθε εργασία στη μηχανή αφαιρέστε την αναλλακτική μπαταρία.
 Aletin kendinde bir çalışma yapmadan önce kartuş aküyü çıkarm.
 Před zahájením veškerých prací na vrtacím šroubováků vyjmout výměnný akumulátor.

Pred každou pracou na stroji výmenný akumulátor vytriahnuť.
 Przed przystąpieniem do jakichkolwiek prac na elektronarzędziu należy wyjąć wkładkę akumulatoremą.
 Karbantartás, javítás, tisztítás, stb. előtt az akkumulátort ki kell venni a készülékből.
 Pred deli na stroju izvelcite izmenljivi akumulator.
 Prije svih radova na stroju izvaditi bateriju za zamjenu.
 Pirms mašīnai veikt jebkāda veida apkopes darbus, ir jāizņem ārā akumulators.
 Prieš atlikdami bet kokius darbus įrenginyje, išimkite keičiamą akumuliatorių.
 Enne kõiki töid masina kallal võtke vahetatav aku välja.
 Выньте аккумулятор из машины перед проведением с ней каких-либо манипуляций.
 Преди започване на каквито е да работи по машината извадете акумулатора.
 Înderpătați acumulatorul înainte de începerea lucrului pe mașina.
 Отстранете ја батеријата пред да започнете да ја користите машината.
 在机器上进行任何维护工作之前，先拿出蓄电池。

تم إزالة حزمة البطارية قبل البدء في أي أعمال على الجهاز.





Remove the battery pack before starting any work on the machine.

Vor allen Arbeiten an der Maschine den Wechselakku herausnehmen

Avant tous travaux sur la machine retirer l'accu interchangeable.

Prima di iniziare togliere la batteria dalla macchina.
Retire la batería antes de comenzar cualquier trabajo en la máquina.

Antes de efectuar cualquier intervención na máquina retirar o bloco acumulador.

Voor alle werkzaamheden aan de machine de akku verwijderen.

Ved arbejde inden i maskinen, bør batteriet tages ud.

Ta ut vekselbatteriet før du arbeider på maskinen

Drag ur batteripaket innan arbete utföres på maskinen.

Ota akku pois ennen kaikkia koneeseen tehtäviä toimenpiteitä.

Прив από κάθε εργασία στη μηχανή αφαιρείτε την ανταλλακτική μπαταρία.

Aletin kendingde bir çalışma yapmadan önce kartuş aküyü çıkarm.

Před zahájením veškerých prací na vrtacím šroubováku vyjmout výměnný akumulátor.

Pred každou pracou na stroji výměnný akumulátor vyťahnuť.

Przed przystąpieniem do jakichkolwiek prac na elektronarzędziu należy wyjąć wkładkę akumulatową.

Karbantartás, javítás, tisztítás, stb. előtt az akkumulátort ki kell venni a készülékből.

Před deli na stroju izvlecite izmenljivi akumulator.

Prije svih radova na stroju izvaditi bateriju za zamjenu.

Pirms mašīnai veikt jebkāda veida apkopes darbus, ir jāizņem ārā akumulators.

Prieš atikdami bet kokius darbus įrenginyje, išimkite keičiamą akumuliatorių.

Enne kõiki töid masina kallal võtke vahetatav aku välja.

Виньте аккумулятор из машины перед проведением с ней каких-либо манипуляций.

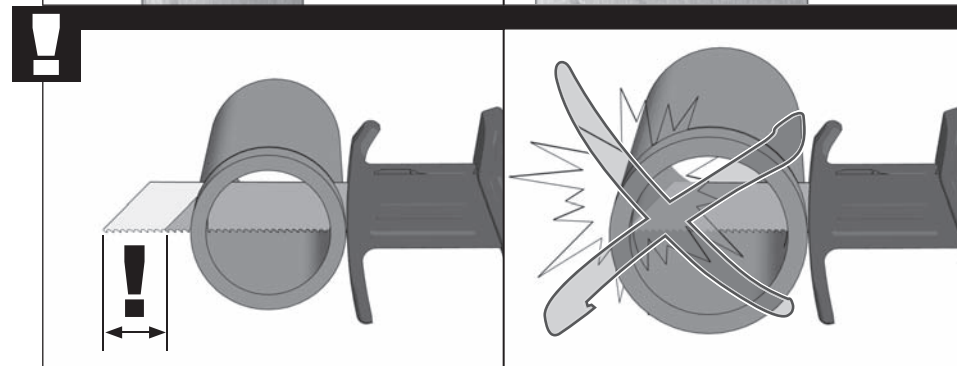
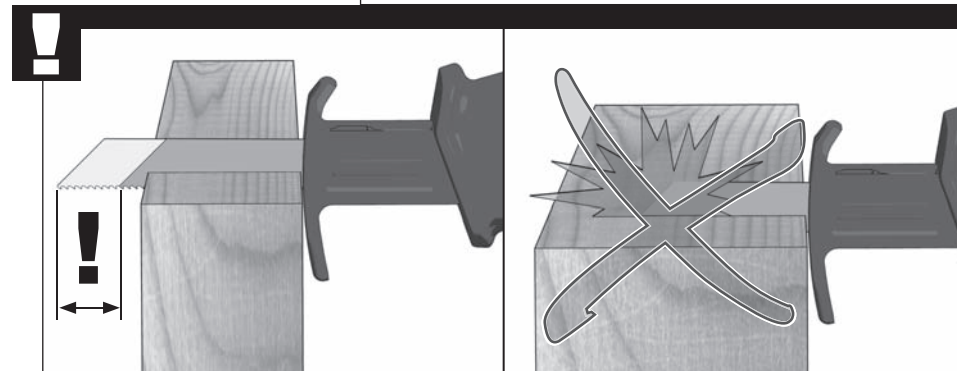
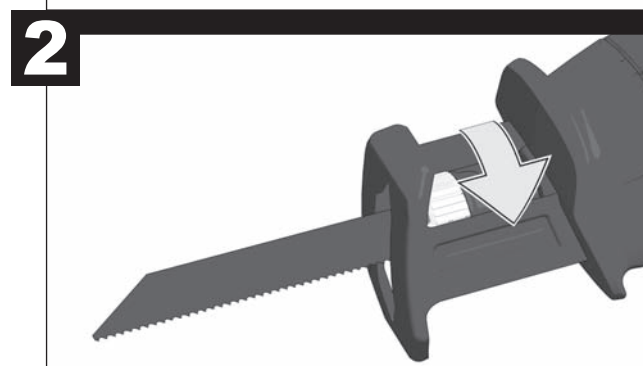
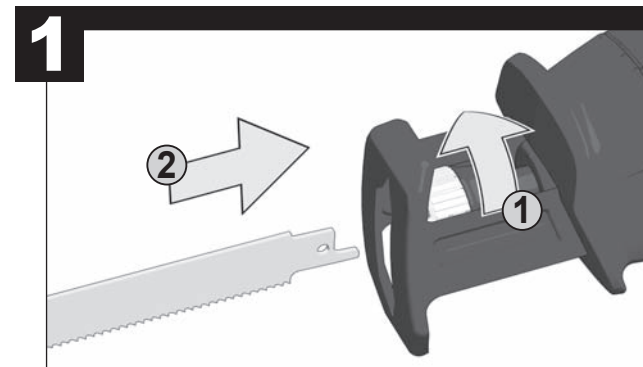
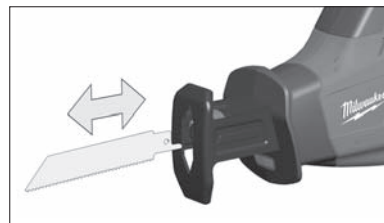
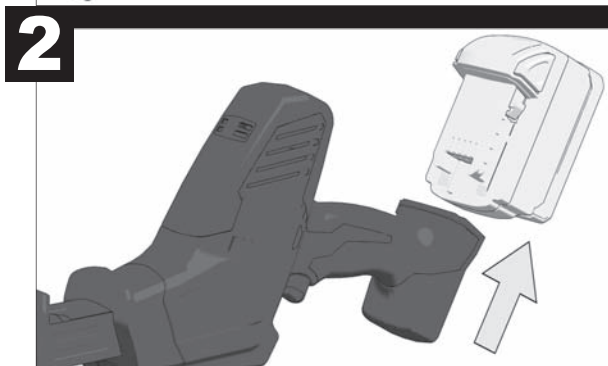
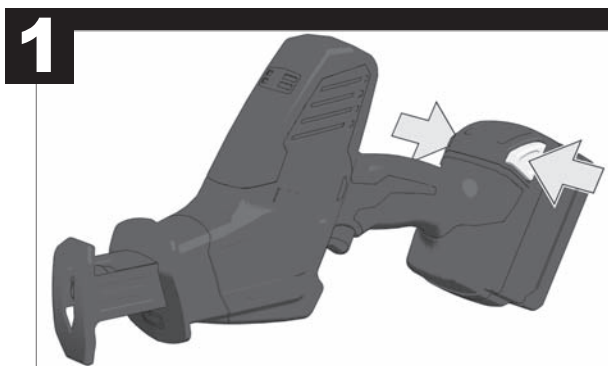
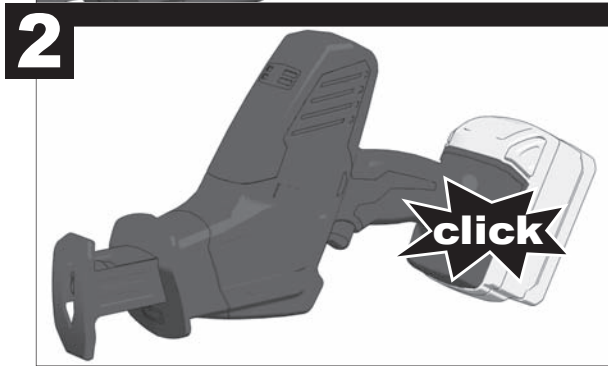
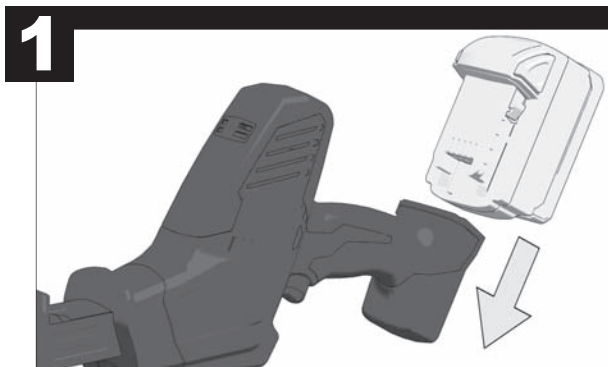
Преди започване на каквито и да е работи по машината извадете акумулатора.

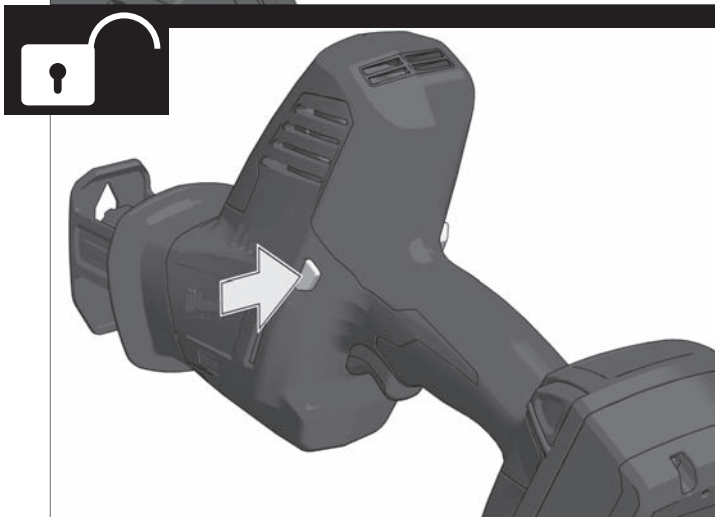
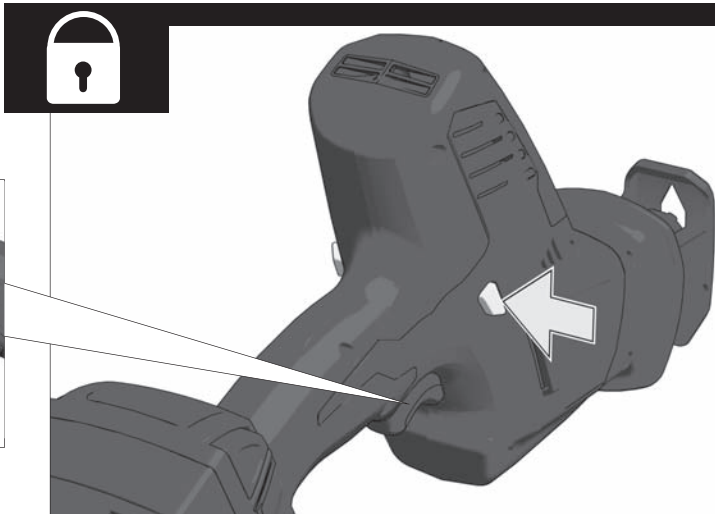
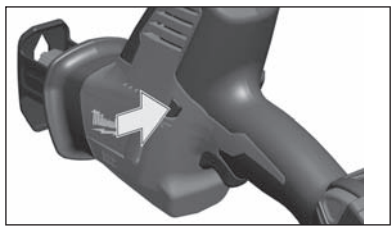
Scoateți acumulatorul înainte de a începe orice intervenție pe mașină.

Извадете го батерискиот склоп пред отпочнување на каков и да е зафат врз машината.

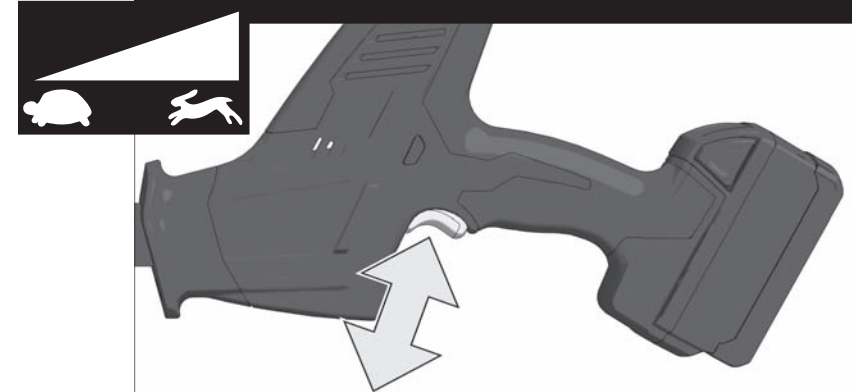
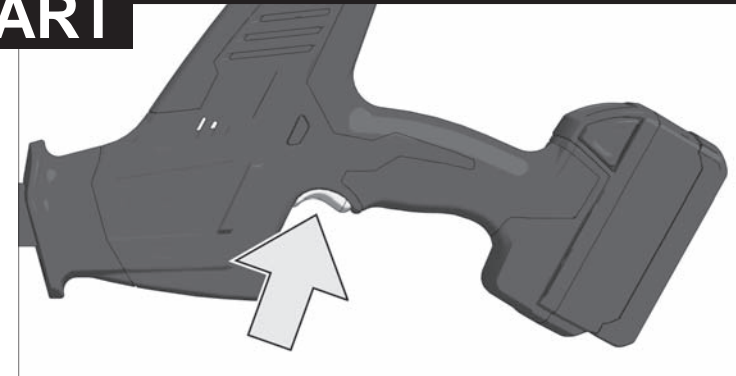
在机器上进行任何维护工作之前，先拿出蓄电池。

تم إزالة حزمة البطارية قبل البدء في أي أعمال على الجهاز.

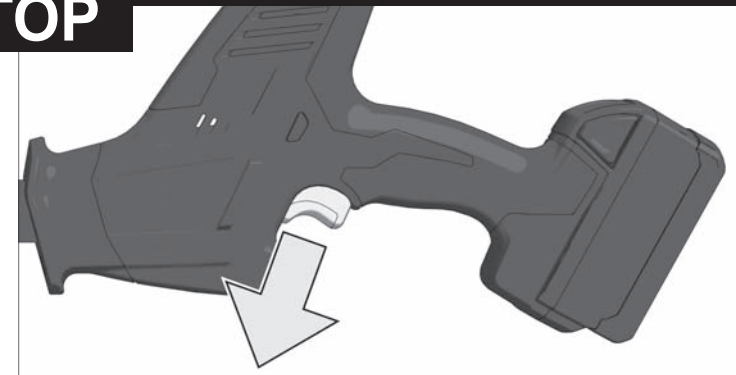


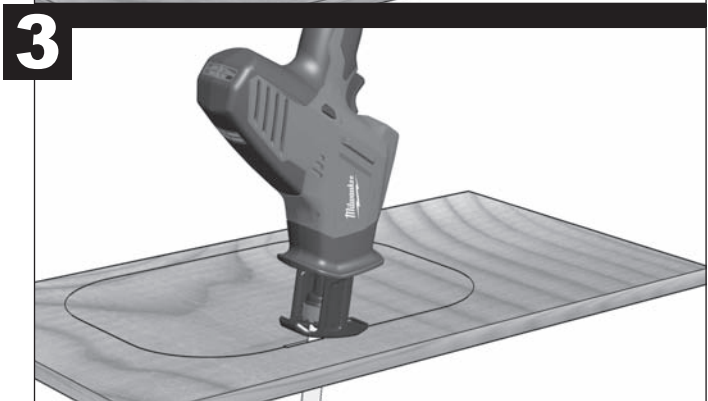
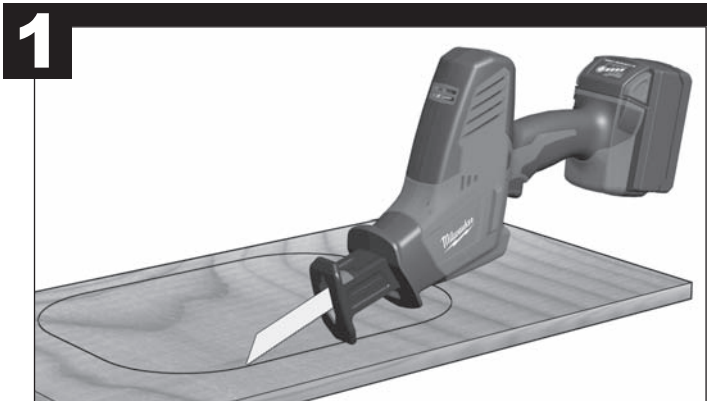
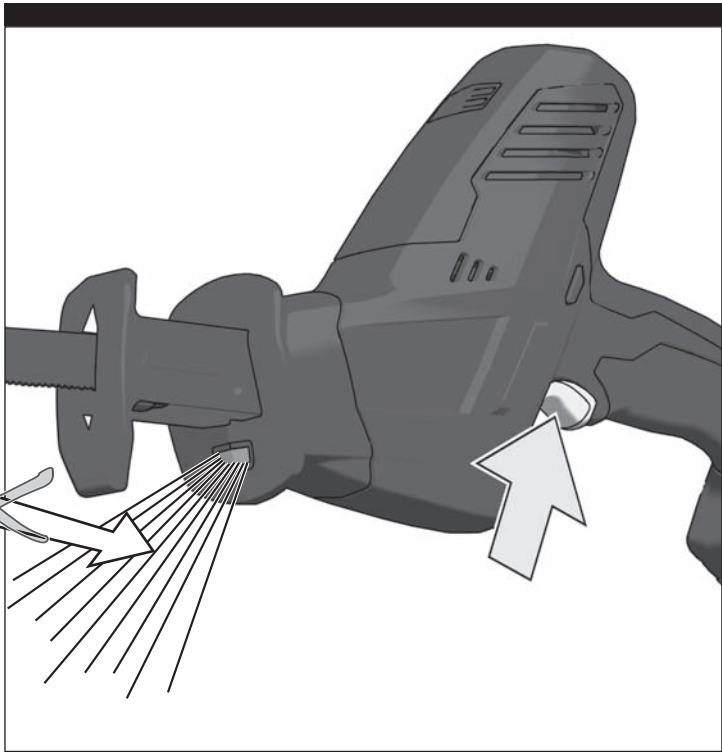
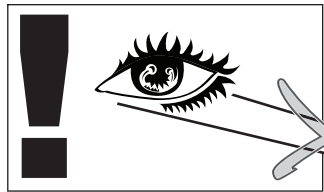
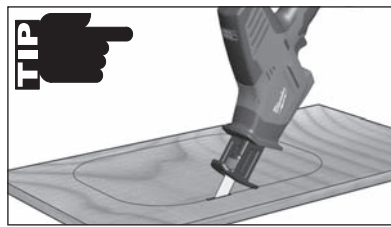
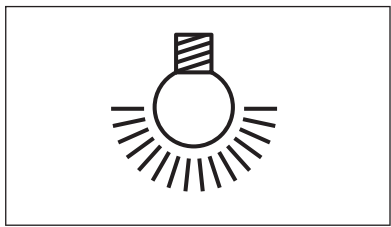


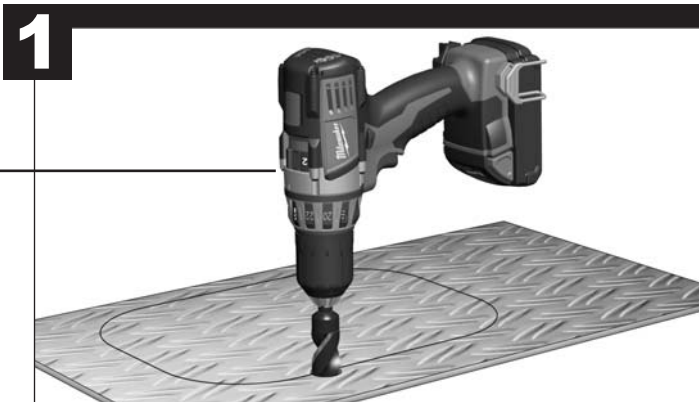
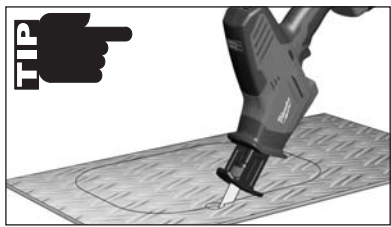
START



STOP







TECHNICAL DATA CORDLESS RECIPROCATING SAW C18HZ

Production code.....	4526 65 02...
.....	4467 30 02...
.....	4313 78 02...
.....	...000001-999999
Battery voltage.....	18 V
Stroke rate under no-load.....	0-3000 min ⁻¹
Lengths of stroke.....	20 mm
Weight according EPTA-Procedure 01/2003 (1,5 Ah).....	2,2 kg
Weight according EPTA-Procedure 01/2003 (3,0 Ah).....	2,5 kg

Noise/vibration information

Measured values determined according to EN 60 745.

Typically, the A-weighted noise levels of the tool are:

Sound pressure level (Uncertainty K=3dB(A)).....	81 dB (A)
Sound power level (Uncertainty K=3dB(A)).....	92 dB (A)

Wear ear protectors!

Total vibration values (vector sum in the three axes) determined according to EN 60745.

Sawing of wood

Vibration emission value a _h	7,2 m/s ²
Uncertainty K=.....	1,5 m/s ²

WARNING

The vibration emission level given in this information sheet has been measured in accordance with a standardised test given in EN 60745 and may be used to compare one tool with another. It may be used for a preliminary assessment of exposure.

The declared vibration emission level represents the main applications of the tool. However if the tool is used for different applications, with different accessories or poorly maintained, the vibration emission may differ. This may significantly increase the exposure level over the total working period.

An estimation of the level of exposure to vibration should also take into account the times when the tool is switched off or when it is running but not actually doing the job. This may significantly reduce the exposure level over the total working period.

Identify additional safety measures to protect the operator from the effects of vibration such as: maintain the tool and the accessories, keep the hands warm, organisation of work patterns.

⚠ WARNING! Read all safety warnings and all instructions. Failure to follow the warnings and instructions may result in electric shock, fire and/or serious injury. **Save all warnings and instructions for future reference.**

⚠ SABRE SAW SAFETY WARNINGS

Wear ear protectors. Exposure to noise can cause hearing loss.

Hold power tool by insulated gripping surfaces, when performing an operation where the cutting accessory may contact hidden wiring.

Cutting accessory contacting a „live“ wire may make exposed metal parts of the power tool „live“ and could give the operator an electric shock.

ADDITIONAL SAFETY AND WORKING INSTRUCTIONS

Use protective equipment. Always wear safety glasses when working with the machine. The use of protective clothing is recommended, such as dust mask, protective gloves, sturdy non-slip footwear, helmet and ear defenders.

The dust produced when using this tool may be harmful to health. Do not inhale the dust. Wear a suitable dust protection mask.

Do not machine any materials that present a danger to health (e.g. asbestos).

Switch the device off immediately if the insertion tool stalls! Do not switch the device on again while the insertion tool is stalled, as doing so could trigger a sudden recoil with a high reactive force. Determine why the insertion tool stalled and rectify this, paying heed to the safety instructions.

The possible causes may be:

- it is tilted in the workpiece to be machined
- it has pierced through the material to be machined
- the power tool is overloaded

Do not reach into the machine while it is running.

The insertion tool may become hot during use.

WARNING! Danger of burns

- when changing tools

- when setting the device down

Chips and splinters must not be removed while the machine is running.

When working in walls ceiling, or floor, take care to avoid electric cables and gas or waterpipes.

Clamp your workpiece with a clamping device. Unclamped workpieces can cause severe injury and damage.

Do not use cracked or distorted saw blades.

Plunge cuts without pre-drilling a hole are possible with soft materials (wood, light building materials for walls). Harder materials (metals) must first be drilled with a hole corresponding to the size of the saw blade.

Remove the battery pack before starting any work on the machine.

Do not dispose of used battery packs in the household refuse or by burning them. Milwaukee Distributors offer to retrieve old batteries to protect our environment.

Do not store the battery pack together with metal objects (short circuit risk).

No metal parts must be allowed to enter the battery section of the charger (short circuit risk).

Use only System C18 chargers for charging System C18 battery packs. Do not use battery packs from other systems.

Never break open battery packs and chargers and store only in dry rooms. Keep dry at all times.

Battery acid may leak from damaged batteries under extreme load or extreme temperatures. In case of contact with battery acid wash it off immediately with soap and water. In case of eye contact rinse thoroughly for at least 10 minutes and immediately seek medical attention.

EC-DECLARATION OF CONFORMITY

We declare under our sole responsibility that the product described under "Technical Data" fulfills all the relevant regulations and the directives 2011/65/EU (RoHS), 2014/30/EU, 2006/42/EC, and the following harmonized standards have been used:

- EN 60745-1:2009 + A11:2010
- EN 60745-2-11:2010
- EN 55014-1:2006 + A1:2009 + A2:2011
- EN 55014-2:1997 + A1:2001 + A2:2008
- EN 50581:2012

Winnenden, 2016-03-29



Alexander Krug
Managing Director



Authorized to compile the technical file.

Techtronic Industries GmbH
Max-Eyth-Straße 10
71364 Winnenden
Germany

SPECIFIED CONDITIONS OF USE

This sabre saw cuts wood, plastic, and metal. It can cut straight lines, curves, and internal cut-outs. It cuts pipes and can cut flush to a surface.

Do not use this product in any other way as stated for normal use.

BATTERIES

Battery packs which have not been used for some time should be recharged before use.

Temperatures in excess of 50°C (122°F) reduce the performance of the battery pack. Avoid extended exposure to heat or sunshine (risk of overheating).

The contacts of chargers and battery packs must be kept clean.

For an optimum life-time, after use, the battery packs have to be fully charged.

To obtain the longest possible battery life remove the battery pack from the charger once it is fully charged.

For battery pack storage longer than 30 days: Store the battery pack where the temperature is below 27°C and away from moisture

Store the battery packs in a 30% - 50% charged condition Every six months of storage, charge the pack as normal.

BATTERY PACK PROTECTION

In extremely high torque, binding, stalling and short circuit situations that cause high current draw, the tool will stop for about 2 seconds and then the tool will turn OFF.

To reset, release the trigger. Under extreme circumstances, the internal temperatur of the battery could become to high. If this happens, the battery will shut down.

TRANSPORTING LITHIUM BATTERIES

Lithium-ion batteries are subject to the Dangerous Goods Legislation requirements.

Transportation of those batteries has to be done in accordance with local, national and international provisions and regulations.

- The user can transport the batteries by road without further requirements.
- Commercial transport of Lithium-Ion batteries by third parties is subject to Dangerous Goods regulations. Transport preparation and transport are exclusively to be carried out by appropriately trained persons and the process has to be accompanied by corresponding experts.

When transporting batteries:

- Ensure that battery contact terminals are protected and insulated to prevent short circuit.

- Ensure that battery pack is secured against movement within packaging.
- Do not transport batteries that are cracked or leak.

Check with forwarding company for further advice

MAINTENANCE

The ventilation slots of the machine must be kept clear at all times.

Use only Milwaukee accessories and spare parts. Should components need to be replaced which have not been described, please contact one of our Milwaukee service agents (see our list of guarantee/service addresses).

If needed, an exploded view of the tool can be ordered. Please state the machine type printed as well as the six-digit No. on the label and order the drawing at your local service agents or directly at: Techtronic Industries GmbH, Max-Eyth-Straße 10, 71364 Winnenden, Germany.

SYMBOLS

CAUTION! WARNING! DANGER!



Remove the battery pack before starting any work on the machine.



Please read the instructions carefully before starting the machine.



Accessory - Not included in standard equipment, available as an accessory.



Do not dispose of electric tools together with household waste material. Electric tools and electronic equipment that have reached the end of their life must be collected separately and returned to an environmentally compatible recycling facility. Check with your local authority or retailer for recycling advice and collection point.



European Conformity Mark

EurAsian Conformity Mark.

TECHNISCHE DATEN AKKU-SÄBELSÄGE C18HZ

Produktionsnummer	4526 65 02...
.....	4467 30 02...
.....	4313 78 02...
.....	...00001-999999
Spannung Wechselakku	18 V
Leerlaufhubzahl	0-3000 min ⁻¹
Hubhöhe	20 mm
Gewicht nach EPTA-Prozedur 01/2003 (1,5 Ah)	2,2 kg
Gewicht nach EPTA-Prozedur 01/2003 (3,0 Ah)	2,5 kg

Geräusch/Vibrationsinformation

Messwerte ermittelt entsprechend EN 60 745.

Der A-bewertete Geräuschpegel des Gerätes beträgt typischerweise:

Schalldruckpegel (Unsicherheit K=3dB(A))	81 dB (A)
Schalleistungspegel (Unsicherheit K=3dB(A))	92 dB (A)

Gehörschutz tragen!

Schwingungsgesamtwerte (Vektorsumme dreier Richtungen) ermittelt entsprechend EN 60745.

Sägen von Holz:

Schwingungsemissionswert a _h	7,2 m/s ²
Unsicherheit K =	1,5 m/s ²

WARNUNG

Der in diesen Anweisungen angegebene Schwingungspegel ist entsprechend einem in EN 60745 genormten Messverfahren gemessen worden und kann für den Vergleich von Elektrowerkzeugen miteinander verwendet werden. Er eignet sich auch für eine vorläufige Einschätzung der Schwingungsbelastung.

Der angegebene Schwingungspegel repräsentiert die hauptsächlichsten Anwendungen des Elektrowerkzeugs. Wenn allerdings das Elektrowerkzeug für andere Anwendungen, mit abweichenden Einsatzwerkzeugen oder ungenügender Wartung eingesetzt wird, kann der Schwingungspegel abweichen. Dies kann die Schwingungsbelastung über den gesamten Arbeitszeitraum deutlich erhöhen.

Für eine genaue Abschätzung der Schwingungsbelastung sollten auch die Zeiten berücksichtigt werden, in denen das Gerät abgeschaltet ist oder zwar läuft, aber nicht tatsächlich im Einsatz ist. Dies kann die Schwingungsbelastung über den gesamten Arbeitszeitraum deutlich reduzieren.

Legen Sie zusätzliche Sicherheitsmaßnahmen zum Schutz des Bedieners vor der Wirkung von Schwingungen fest wie zum Beispiel: Wartung von Elektrowerkzeug und Einsatzwerkzeugen, Warmhalten der Hände, Organisation der Arbeitsabläufe.

⚠️ WARNUNG! Lesen Sie alle Sicherheitshinweise und Anweisungen. Versäumnisse bei der Einhaltung der Sicherheitshinweise und Anweisungen können elektrischen Schlag, Brand und/oder schwere Verletzungen verursachen. **Bewahren Sie alle Sicherheitshinweise und Anweisungen für die Zukunft auf.**

⚠️ SICHERHEITSHINWEISE FÜR SÄBELSÄGEN

Tragen Sie Gehörschutz. Die Einwirkung von Lärm kann Hörverlust bewirken.

Halten Sie das Gerät an den isolierten Griffflächen, wenn Sie Arbeiten ausführen, bei denen das Einsatzwerkzeug verborgene Stromleitungen treffen kann. Der Kontakt des Einsatzwerkzeugs mit einer spannungsführenden Leitung kann metallene Geräteteile unter Spannung setzen und zu einem elektrischen Schlag führen.

WEITERE SICHERHEITS- UND ARBEITSHINWEISE

Schutzrüstung verwenden. Beim Arbeiten mit der Maschine stets Schutzbrille tragen. Schutzkleidung wie Staubschutzmaske, Schutzhandschuhe, festes und rutschsicheres Schuhwerk, Helm und Gehörschutz werden empfohlen.

Beim Arbeiten entstehender Staub ist oft gesundheitsschädlich und sollte nicht in den Körper gelangen. Geeignete Staubschutzmaske tragen.

Es dürfen keine Materialien bearbeitet werden, von denen eine Gesundheitsgefährdung ausgeht (z.B. Asbest).

Beim Blockieren des Einsatzwerkzeuges bitte das Gerät sofort ausschalten! Schalten Sie das Gerät nicht wieder ein, solange das Einsatzwerkzeug blockiert ist; hierbei könnte ein Rückschlag mit hohem Reaktionsmoment entstehen. Ermitteln und beheben Sie die Ursache für die Blockierung des Einsatzwerkzeuges unter Berücksichtigung der Sicherheitshinweise.

Mögliche Ursachen dafür können sein:

- Verkanten im zu bearbeitenden Werkstück
- Durchbrechen des zu bearbeitenden Materials
- Überlasten des Elektrowerkzeugs

Greifen Sie nicht in die laufende Maschine.

Das Einsatzwerkzeug kann während der Anwendung heiß werden.

WARNUNG! Verbrennungsgefahr

- bei Werkzeugwechsel
- bei Ablegen des Gerätes

Späne oder Splitter dürfen bei laufender Maschine nicht entfernt werden.

Beim Arbeiten in Wand, Decke oder Fußboden auf elektrische Kabel, Gas- und Wasserleitungen achten.

Sichern Sie Ihr Werkstück mit einer Spannvorrichtung. Nicht gesicherte Werkstücke können schwere Verletzungen und Beschädigungen verursachen.

Rissige Sägeblätter oder solche, die ihre Form verändert haben, dürfen nicht verwendet werden!

Tauchsägen ist nur in weicheren Materialien (Holz, Leichtbaustoffe für Wände) möglich, bei härteren Materialien (Metalle) muss eine dem Sägeblatt entsprechend große Bohrung angebracht werden.

Vor allen Arbeiten an der Maschine den Wechselakku herausnehmen

Verbrauchte Wechselakku nicht ins Feuer oder in den Hausmüll werfen. Milwaukee bietet eine umweltgerechte Alt-Wechselakku-Entsorgung an; bitte fragen Sie Ihren Fachhändler.

Wechselakku nicht zusammen mit Metallgegenständen aufbewahren (Kurzschlussgefahr).

In den Wechselakku-Einschubschacht der Ladegeräte dürfen keine Metallteile gelangen (Kurzschlussgefahr).

Wechselakku des Systems C18 nur mit Ladegeräten des Systems C18 laden. Keine Akkus aus anderen Systemen laden.

Wechselakku und Ladegeräte nicht öffnen und nur in trockenen Räumen lagern. Vor Nässe schützen.

Unter extremer Belastung oder extremer Temperatur kann aus beschädigten Wechselakkus Batterieflüssigkeit auslaufen. Bei Berührung mit Batterieflüssigkeit sofort mit Wasser und Seife abwaschen. Bei Augenkontakt sofort mindestens 10 Minuten gründlich spülen und unverzüglich einen Arzt aufsuchen.

CE-KONFORMITÄTSERKLÄRUNG

Wir erklären in alleiniger Verantwortung, dass das unter „Technische Daten“ beschriebene Produkt mit allen relevanten Vorschriften der Richtlinie 2011/65/EU (RoHS), 2014/30/EU, 2006/42/EG und den folgenden harmonisierten normativen Dokumenten übereinstimmt:

EN 60745-1:2009 + A11:2010

EN 60745-2-11:2010

EN 55014-1:2006 + A1:2009 + A2:2011

EN 55014-2:1997 + A1:2001 + A2:2008

EN 50581:2012

Winnenden, 2016-03-29

Alexander Krug
Managing Director



Bevollmächtigt die technischen Unterlagen zusammenzustellen
Techtronic Industries GmbH
Max-Eyth-Straße 10
71364 Winnenden
Germany

BESTIMMUNGSGEMÄSSE VERWENDUNG

Die Säbelsäge sägt Holz, Kunststoff und Metall. Sie schneidet Geraden, Kurven und Innenausschnitte. Sie schneidet Rohre und trennt flächenbündig ab.

Dieses Gerät darf nur wie angegeben bestimmungsgemäß verwendet werden.

AKKUS

Längere Zeit nicht benutzte Wechselakku vor Gebrauch nachladen.

Eine Temperatur über 50°C vermindert die Leistung des Wechselakkus. Längere Erwärmung durch Sonne oder Heizung vermeiden.

Die Anschlusskontakte an Ladegerät und Wechselakku sauber halten.

Für eine optimale Lebensdauer müssen nach dem Gebrauch die Akkus voll geladen werden.

Für eine möglichst lange Lebensdauer sollten die Akkus nach dem Aufladen aus dem Ladegerät entfernt werden.

Bei Lagerung des Akkus länger als 30 Tage:

Akku bei ca. 27°C und trocken lagern.

Akku bei ca. 30%-50% des Ladezustandes lagern.

Akku alle 6 Monate erneut aufladen.

AKKUÜBERLASTSCHUTZ

Bei Überlastung des Akkus durch sehr hohen Stromverbrauch, z.B. extrem hohe Drehmomente, Verklemmen des Sägeblattes, plötzlichem Stopp oder Kurzschluss, stoppt das Elektrowerkzeug 2 Sekunden lang und schaltet sich selbsttätig ab.

Zum Wiedereinschalten, den Schalterdrücker loslassen und dann wieder einschalten.

Unter extremen Belastungen kann sich der Akku stark erhitzen. In diesem Fall schaltet der Akku ab.

TRANSPORT VON LITHIUM-IONEN-AKKUS

Lithium-Ionen-Akkus fallen unter die gesetzlichen Bestimmungen zum Gefahrguttransport.

Der Transport dieser Akkus muss unter Einhaltung der lokalen, nationalen und internationalen Vorschriften und Bestimmungen erfolgen.

- Verbraucher dürfen diese Akkus ohne Weiteres auf der Straße transportieren.
- Der kommerzielle Transport von Lithium-Ionen-Akkus durch Speditionsunternehmen unterliegt den Bestimmungen des Gefahrguttransports. Die Versandvorbereitungen und der Transport dürfen ausschließlich von entsprechend geschulten Personen durchgeführt werden. Der gesamte Prozess muss fachmännisch begleitet werden.

Folgende Punkte sind beim Transport von Akkus zu beachten:

- Stellen Sie sicher, dass die Kontakte geschützt und isoliert sind, um Kurzschlüsse zu vermeiden.
- Achten Sie darauf, dass der Akkupack innerhalb der Verpackung nicht verrutschen kann.
- Beschädigte oder auslaufende Akkus dürfen nicht transportiert werden.

Wenden Sie sich für weitere Hinweise an Ihr Speditionsunternehmen.

WARTUNG

Stets die Lüftungsschlitze der Maschine sauber halten.

Nur Milwaukee Zubehör und Milwaukee Ersatzteile verwenden. Bauteile, deren Austausch nicht beschrieben wurde, bei einer Milwaukee Kundendienststelle auswechseln lassen (Broschüre Garantie/Kundendienstadressen beachten).

Bei Bedarf kann eine Explosionszeichnung des Gerätes unter Angabe der Maschinen Type und der sechsstelligen Nummer auf dem Leistungsschild bei Ihrer Kundendienststelle oder direkt bei Techtronic Industries GmbH, Max-Eyth-Straße 10, 71364 Winnenden, Germany angefordert werden.

SYMBOLE



ACHTUNG! WARNUNG! GEFAHR!



Vor allen Arbeiten an der Maschine den Wechselakku herausnehmen



Bitte lesen Sie die Gebrauchsanweisung vor Inbetriebnahme sorgfältig durch.



Zubehör - Im Lieferumfang nicht enthalten, empfohlene Ergänzung aus dem Zubehörprogramm.



Elektrogeräte dürfen nicht zusammen mit dem Hausmüll entsorgt werden. Elektrische und elektronische Geräte sind getrennt zu sammeln und zur umweltgerechten Entsorgung bei einem Verwertungsbetrieb abzugeben.

Erkundigen Sie sich bei den örtlichen Behörden oder bei Ihrem Fachhändler nach Recyclinghöfen und Sammelstellen.



CE-Zeichen

EurAsian Konformitätszeichen.

CARACTÉRISTIQUES TECHNIQUES SCIE SABRE SANS FIL C18HZ

Numéro de série.....	4526 65 02...
.....	4467 30 02...
.....	4313 78 02...
.....	...000001-999999
Tension accu interchangeable.....	18 V
Nombre de courses à vide.....	0-3000 min ⁻¹
Hauteur de la course.....	20 mm
Poids suivant EPTA-Procédure 01/2003 (1,5 Ah).....	2,2 kg
Poids suivant EPTA-Procédure 01/2003 (3,0 Ah).....	2,5 kg

Bruits et vibrations

Valeurs de mesure obtenues conformément à la EN 60 745.

La mesure réelle (A) du niveau de bruit de l'outil est

Niveau de pression acoustique (Incertitude K=3dB(A))81 dB (A)

Niveau d'intensité acoustique (Incertitude K=3dB(A))92 dB (A)

Toujours porter une protection acoustique!

Valeurs totales des vibrations (somme vectorielle de trois sens)

établies conformément à EN 60745.

Sciage du bois

Valeur d'émission vibratoire a_h7,2 m/s²

Incertitude K=1,5 m/s²

AVERTISSEMENT

Le niveau vibratoire indiqué dans ces instructions a été mesuré selon un procédé de mesure normalisé dans la norme EN 60745 et peut être utilisé pour comparer des outils électriques entre eux. Il convient aussi à une estimation provisoire de la sollicitation par les vibrations.

Le niveau vibratoire indiqué représente les applications principales de l'outil électrique. Toutefois, si l'outil électrique est utilisé pour d'autres applications, avec des outils rapportés qui diffèrent ou une maintenance insuffisante, il se peut que le niveau vibratoire diverge. Cela peut augmenter nettement la sollicitation par les vibrations sur tout l'intervalle de temps du travail.

Pour une estimation précise de la sollicitation par les vibrations, on devrait également tenir compte des temps pendant lesquels l'appareil n'est pas en marche ou tourne sans être réellement en service. Cela peut réduire nettement la sollicitation par les vibrations sur tout l'intervalle de temps du travail.

Définissez des mesures de sécurité supplémentaires pour protéger l'utilisateur contre l'influence des vibrations, comme par exemple: la maintenance de l'outil électrique et des outils rapportés, le maintien au chaud des mains, l'organisation des déroulements de travail.

AVIS! Lire complètement les instructions et les indications de sécurité. Le non-respect des avertissements et instructions indiqués ci après peut entraîner un choc électrique, un incendie et/ou de graves blessures sur les personnes.

Bien garder tous les avertissements et instructions.

CONSIGNES DE SÉCURITÉ CONCERNANT LES SCIES SABRES

Portez une protection acoustique. L'influence du bruit peut provoquer la surdité.

Maintenez l'appareil par les surfaces de poignée isolées lorsque vous exécutez des travaux pendant lesquels l'outil de coupe peut toucher des lignes électriques dissimulées. Le contact avec un câble sous tension met les parties métalliques de l'appareil sous tension et provoque une décharge électrique.

AVIS COMPLÉMENTAIRES DE SÉCURITÉ ET DE TRAVAIL

Utiliser l'équipement de protection. Toujours porter des lunettes de protection pendant le travail avec la machine. Il est recommandé de porter des articles de protection, tels que masque antipoussière, gants de protection, chaussures tenant bien aux pieds et antidérapantes, casque et protection acoustique.

Les poussières qui sont dégagées pendant les travaux sont souvent nocives pour la santé et ne devraient pas pénétrer dans le corps. Porter un masque de protection approprié contre les poussières.

Il est interdit de travailler des matériaux dangereux pour la santé (par ex. amiante).

Désactiver immédiatement le dispositif en cas de blocage ! Ne pas réactiver le dispositif avec l'outil bloqué; il y a le risque de provoquer un contrecoup avec moment de réaction élevé. Établir et éliminer la cause du blocage de l'outil en prêtant attention aux consignes de sécurité.

Les causes possibles sont :

- Encastrement dans la pièce à travailler.
- Le dispositif a traversé le matériau à travailler en le cassant.
- Le dispositif électrique a été surchargé.

Ne pas approcher les mains de la partie en mouvement de la machine.

Durant l'utilisation, l'outil peut se surchauffer.

AVERTISSEMENT! Danger de brûlures

- durant le remplacement de l'outil
- durant la dépose de l'outil

Ne jamais enlever les copeaux ni les éclats lorsque la machine est en marche.

Lors du perçage dans les murs, les plafonds ou les planchers, toujours faire attention aux câbles électriques et aux conduites de gaz et d'eau.

Fixer fermement la pièce en exécution à l'aide d'un dispositif de serrage. Des pièces en exécution non fermement fixées peuvent provoquer des dommages et des lésions graves.

Ne pas utiliser de lames de scie fissurées ou déformées.

Le sciage en plongée n'est possible que dans des matériaux tendres (bois, matériaux de construction légers pour les murs). Si les matériaux sont plus durs (métaux), une percée plus importante doit être faite au moyen de la lame.

Avant tous travaux sur la machine retirer l'accu interchangeable.

Ne pas jeter les accus interchangeables usés au feu ou avec les déchets ménagers. Milwaukee offre un système d'évacuation écologique des accus usés.

Ne pas conserver les accus interchangeables avec des objets métalliques (risque de court-circuit)

Aucune pièce métallique ne doit pénétrer dans le logement d'accu du chargeur (risque de court-circuit)

Ne charger les accus interchangeables du système C18 qu'avec le chargeur d'accus du système C18. Ne pas charger des accus d'autres systèmes.

Ne pas ouvrir les accus interchangeables et les chargeurs et ne les stocker que dans des locaux secs. Les protéger contre l'humidité.

En cas de conditions ou températures extrêmes, du liquide caustique peut s'échapper d'un accu interchangeable endommagé. En cas de contact avec le liquide caustique de la batterie, laver immédiatement avec de l'eau et du savon. En cas de contact avec

les yeux, rincer soigneusement avec de l'eau et consulter immédiatement un médecin.

DECLARATION CE DE CONFORMITÉ

Nous déclarons sous notre seule responsabilité que le produit décrit sous « Caractéristiques techniques » concorde avec toutes les consignes pertinentes de la directive 2011/65 EU (RoHS), 2014/30/UE, 2006/42/CE et les documents normatifs harmonisés suivants :

EN 60745-1:2009 + A11:2010

EN 60745-2-11:2010

EN 55014-1:2006 + A1:2009 + A2:2011

EN 55014-2:1997 + A1:2001 + A2:2008

EN 50581:2012

Winnenden, 2016-03-29

Alexander Krug
Managing Director



Autorisé à compiler la documentation technique.

Technronic Industries GmbH

Max-Eyth-Straße 10

71364 Winnenden

Germany

UTILISATION CONFORME AUX PRESCRIPTIONS

La scie sabre permet de scier du bois, des matières synthétiques et des métaux. Elle permet des découpes rectilignes et curvilignes et des découpes intérieures. Elle permet de découper des tuyaux au ras des murs.

Comme déjà indiqué, cette machine n'est conçue que pour être utilisée conformément aux prescriptions.

ACCUS

Recharger les accus avant utilisation après une longue période de non utilisation.

Une température supérieure à 50°C amoindrit la capacité des accus. Éviter les expositions prolongées au soleil ou au chauffage.

Tenir propres les contacts des accus et des chargeurs.

Après l'usage, les accus doivent être chargés entièrement pour une durée de vie optimale.

Pour une plus longue durée de vie, enlever les batteries du chargeur de batterie quand celles-ci seront chargées.

En cas d'entreposage de la batterie pour plus de 30 jours:

Entreposer la batterie à 27°C environ dans un endroit sec.

Entreposer la batterie avec une charge d'environ 30% - 50%.

Recharger la batterie tous les 6 mois.

PROTECTION DE L'ACCU CONTRE LES SURCHARGES

En cas de surcharge de l'accu suite à une consommation de courant très élevée, par exemple des couples extrêmement hauts, un coincement, un arrêt soudain ou un court-circuit, l'outil électrique se met à bourdonner pendant 2 secondes et s'éteint automatiquement.

Pour le remettre en marche, il faut relâcher le poussoir de commutateur, puis l'enclencher à nouveau.

Il se peut que l'accu s'échauffe fortement s'il est soumis à des sollicitations extrêmes. Dans ce cas, il se déconnecte.

TRANSPORT DE BATTERIES LITHIUM-ION

Les batteries lithium-ion sont soumises aux dispositions législatives concernant le transport de produits dangereux.

Le transport de ces batteries devra s'effectuer dans le respect des dispositions et des normes locales, nationales et internationales.

• Les utilisateurs peuvent transporter ces batteries sans restrictions.

• Le transport commercial de batteries lithium-ion est réglé par les dispositions concernant le transport de produits dangereux. La préparation au transport et le transport devront être effectués

uniquement par du personnel formé de façon adéquate. Tout le procédé devra être géré d'une manière professionnelle.

Durant le transport de batteries il faut respecter les consignes suivantes :

- S'assurer que les contacts soient protégés et isolés en vue d'éviter des courts-circuits.
- S'assurer que le groupe de batteries ne puisse pas se déplacer à l'intérieur de son emballage.
- Des batteries endommagées ou des batteries perdant du liquide ne devront pas être transportées.

Pour tout renseignement complémentaire veuillez vous adresser à votre transporteur professionnel.

ENTRETIEN

Tenir toujours propres les orifices de ventilation de la machine.

Utiliser uniquement les accessoires Milwaukee et les pièces détachées Milwaukee. Faire remplacer les composants dont le remplacement n'a pas été décrit, par un des centres de service après-vente Milwaukee (observer la brochure avec les adresses de garantie et de service après-vente).

En cas de besoin il est possible de demander un dessin éclaté du dispositif en indiquant le modèle de la machine et le numéro de six chiffres imprimé sur la plaque de puissance et en s'adressant au centre d'assistance technique ou directement à Technronic Industries GmbH, Max-Eyth-Straße 10, 71364 Winnenden, Germany.

SYMBOLES



ATTENTION! AVERTISSEMENT! DANGER!



Avant tous travaux sur la machine retirer l'accu interchangeable.



Veuillez lire avec soin le mode d'emploi avant la mise en service



Accessoires - Ces pièces ne font pas partie de la livraison. Il s'agit là de compléments recommandés pour votre machine et énumérés dans le catalogue des accessoires.



Les dispositifs électriques ne sont pas à éliminer dans les déchets ménagers.

Les dispositifs électriques et électroniques sont à collecter séparément et à remettre à un centre de recyclage en vue de leur élimination dans le respect de l'environnement.

S'adresser aux autorités locales ou au détaillant spécialisé en vue de connaître l'emplacement des centres de recyclage et des points de collecte.



Marque CE



Marque de qualité EurAsian

DATI TECNICI		SEGA DRITTA A BATTERIA	C18HZ
Numero di serie	4526 65 02...	4467 30 02...	4313 78 02...
.....00001-999999
Tensione batteria	18 V		
Numero di corse a vuoto	0-3000 min ⁻¹		
Altezza corsa	20 mm		
Peso secondo la procedura EPTA 01/2003 (1,5 Ah)	2,2 kg		
Peso secondo la procedura EPTA 01/2003 (3,0 Ah)	2,5 kg		

Informazioni sulla rumorosità e sulla vibrazione

Valori misurati conformemente alla norma EN 60 745.

La misurazione A della pressione del livello sonoro di un utensile di solito deve essere

Livello di rumorosità (Incertezza della misura K=3dB(A))81 dB (A)
 Potenza della rumorosità (Incertezza della misura K=3dB(A)).....92 dB (A)

Utilizzare le protezioni per l'udito!

Valori totali delle oscillazioni (somma di vettori in tre direzioni) misurati conformemente alla norma EN 60745

Segatura di legno

Valore di emissione dell'oscillazione a_p7,2 m/s²
 Incertezza della misura K=1,5 m/s²

AVVERTENZA

Il livello di vibrazioni indicato nella presenti istruzioni è stato misurato in conformità con un procedimento di misurazione codificato nella EN 60745 e può essere utilizzato per un confronto tra attrezzi elettrici. Inoltre si può anche utilizzare per una valutazione preliminare della sollecitazione da vibrazioni.

Il livello di vibrazioni indicato rappresenta le applicazioni principali dell'attrezzo elettrico. Se viceversa si utilizza l'attrezzo elettrico per altri scopi, con accessori differenti o con una manutenzione insufficiente, il livello di vibrazioni può risultare diverso. E questo può aumentare decisamente la sollecitazione da vibrazioni lungo l'intero periodo di lavorazione.

Ai fini di una valutazione precisa della sollecitazione da vibrazioni si dovrebbero tenere presente anche i periodi in cui l'apparecchio rimane spento oppure, anche se acceso, non viene effettivamente utilizzato. Ciò può ridurre notevolmente la sollecitazione da vibrazioni lungo l'intero periodo di lavorazione.

Stabilite misure di sicurezza supplementari per la tutela dell'operatore dall'effetto delle vibrazioni, come ad esempio: manutenzione dell'attrezzo elettrico e degli accessori, riscaldamento delle mani, organizzazione dei processi di lavoro.

⚠️ AVVERTENZA! Leggere tutte le istruzioni ed indicazioni di sicurezza.

In caso di mancato rispetto delle avvertenze di pericolo e delle istruzioni operative si potrà creare il pericolo di scosse elettriche, incendi e/o incidenti gravi.

Conservare tutte le avvertenze di pericolo e le istruzioni operative per ogni esigenza futura.

⚠️ INDICAZIONI DI SICUREZZA PER SEGHE A SCIABOLA

Indossare protezioni acustiche adeguate. L'esposizione prolungata al rumore senza protezione può causare danni all'udito.

Impugnare l'apparecchio sulle superfici di tenuta isolate mentre si eseguono lavori durante i quali l'utensile da taglio potrebbe entrare in contatto con cavi di corrente.

L'eventuale contatto dell'utensile da taglio con un cavo sotto tensione potrebbe mettere sotto tensione le parti metalliche dell'apparecchio e provocare una folgorazione.

ULTERIORI AVVISI DI SICUREZZA E DI LAVORO

Usare dispositivi di protezione. Durante il lavoro con la macchina bisogna sempre portare occhiali di protezione. Si consiglia di indossare indumenti di protezione come maschera antipolvere, guanti di protezione, scarpe antiscivolo robuste, casco e cuffie di protezione acustica.

La polvere che si produce durante il lavoro è spesso dannosa per la salute e non dovrebbe essere aspirata. Portare un'adeguata mascherina protettiva.

E' vietato lavorare materiali che possono costituire pericoli alla salute (ad es. amianto).

Spegnere immediatamente il dispositivo in caso di bloccaggio! Non riaccendere il dispositivo fino a quando l'utensile ad inserto resta bloccato; esiste il rischio di causare un contraccolpo con elevato momento di reazione. Rilevare ed eliminare la causa del bloccaggio dell'utensile ad inserto tenendo conto delle indicazioni di sicurezza.

Le possibili cause sono:

- Incastro nel pezzo in lavorazione

- Il dispositivo ha attraversato il materiale da lavorare rompendolo
- Il dispositivo elettrico è stato sovraccaricato

Non avvicinare le mani alla parte della macchina in movimento.

Durante l'uso l'utensile ad inserto può surriscaldarsi.

⚠️ AVVERTENZA! Pericolo di ustioni

- durante la sostituzione dell'utensile
- durante il deposito dell'utensile

Non rimuovere trucioli o schegge mentre l'utensile è in funzione.

Forando pareti, soffitti o pavimenti, si faccia attenzione ai cavi elettrici e alle condutture dell'acqua e del gas.

Fissare in sicurezza il pezzo in lavorazione con un dispositivo di serraggio. Pezzi in lavorazione che non siano fissati in sicurezza possono causare gravi lesioni e danni.

Non devono essere utilizzate né lame inclinate né lame la cui forma abbia subito alterazioni.

E' possibile effettuare tagli ad immersione solo nei materiali dolci (legno, materiali per costruzione leggera) per i materiali (metalli) duri è invece necessario praticare un foro adatto alle dimensioni della lama.

Prima di iniziare togliere la batteria dalla macchina.

Non gettare le batterie esaurite sul fuoco o nella spazzatura di casa. La Milwaukee offre infatti un servizio di recupero batterie usate.

Nel vano d'innesto per la batteria del caricatore non devono entrare parti metalliche.(pericolo di cortocircuito).

Non conservare le batterie con oggetti metallici (pericolo di cortocircuito).

Le batterie del System C18 sono ricaricabili esclusivamente con i caricatori del System C18. Le batterie di altri sistemi non possono essere ricaricate.

Non aprire né la batteria né il caricatore e conservarli solo in luogo asciutto. Proteggerli dalla umidità.

Nel caso di batterie danneggiate da un carico eccessivo o da temperature alte, l'acido di queste potrebbe fuoriuscire. In caso di contatto con l'acido delle batterie lavarsi immediatamente con acqua e sapone. In caso di contatto con gli occhi risciacquare immediatamente con acqua per almeno 10 minuti e contattare subito un medico.

DICHIARAZIONE DI CONFORMITÀ CE

Dichiaro sotto la nostra esclusiva responsabilità che il prodotto descritto ai "Dati tecnici" corrisponde a tutte le disposizioni delle direttive 2011/65/EU (RoHS), 2014/30/UE, 2006/42/CE e successivi documenti normativi armonizzati:

EN 60745-1:2009 + A11:2010
 EN 60745-2-11:2010
 EN 55014-1:2006 + A1:2009 + A2:2011
 EN 55014-2:1997 + A1:2001 + A2:2008
 EN 50581:2012

Winnenden, 2016-03-29



Alexander Krug
 Managing Director



Autorizzato alla preparazione della documentazione tecnica
 Techtronic Industries GmbH
 Max-Eyth-Straße 10
 71364 Winnenden
 Germany

UTILIZZO CONFORME

Questo sega diritta può essere utilizzato per lavorare legno, materiale sintetico e acciaio; per effettuare tagli diritti e obliqui, curve e per tagli all'interno del materiale.

Utilizzare il prodotto solo per l'uso per cui è previsto.

BATTERIE

Batterie non utilizzate per molto tempo devono essere ricaricate prima dell'uso.

A temperature superiori ai 50°C, la potenza della batteria si riduce.

Evitare di esporre l'accumulatore a surriscaldamento prolungato, dovuto ad esempio ai raggi del sole o ad un impianto di riscaldamento.

Per una durata di vita ottimale, dopo l'uso le batterie devono essere completamente ricaricate.

Per una più lunga durata, rimuove le batterie dal caricabatterie quando saranno cariche.

In caso di immagazzinaggio della batteria per più di 30 giorni: Immagazzinare la batteria a circa 27°C in ambiente asciutto. Immagazzinare la batteria con carica di circa il 30% - 50%. Ricaricare la batteria ogni 6 mesi.

DISPOSITIVO ANTISOVRACCARICO ACCUMULATORE

In caso di sovraccarico dell'accumulatore dovuto a consumo molto elevato di corrente, ad es. coppie di serraggio estremamente elevate, bloccaggio, arresto improvviso o cortocircuito, l'elettrotensile romba per 2 secondi e poi si spegne automaticamente.

Per riaccenderlo, rilasciare l'interruttore e poi riaccenderlo. Se sottoposto a carichi estremi, l'accumulatore può surriscaldarsi. In questo caso l'accumulatore si spegne.

TRASPORTO DI BATTERIE AGLI IONI DI LITIO

Le batterie agli ioni di litio sono soggette alle disposizioni di legge sul trasporto di merce pericolosa.

Il trasporto di queste batterie deve avvenire rispettando le disposizioni e norme locali, nazionali ed internazionali.

- Gli utilizzatori possono trasportare queste batterie su strada senza alcuna restrizione.
- Il trasporto commerciale di batterie agli ioni di litio è regolato dalle disposizioni sul trasporto di merce pericolosa. Le

preparazioni al trasporto ed il trasporto stesso devono essere svolti esclusivamente da persone idoneamente istruite. Tutto il processo deve essere gestito in maniera professionale.

Durante il trasporto di batterie occorre tenere conto di quanto segue:

- Assicurarsi che i contatti siano protetti ed isolati per evitare corto circuiti.
- Accertarsi che il gruppo di batterie non possa spostarsi all'interno dell'imballaggio.
- Batterie danneggiate o batterie che perdono liquido non devono essere trasportate.

Per ulteriori informazioni si prega di contattare il proprio trasportatore.

MANUTENZIONE

Tener sempre ben pulite le fessure di ventilazione dell'apparecchio.

Usare solo accessori Milwaukee e pezzi di ricambio Milwaukee. Gruppi costruttivi la cui sostituzione non è stata descritta, devono essere fatti cambiare da un punto di servizio di assistenza tecnica al cliente Milwaukee (vedi depliant garanzia/ indirizzi assistenza tecnica ai clienti).

In caso di necessità è possibile richiedere un disegno esploso del dispositivo indicando il modello della macchina ed il numero a sei cifre sulla targa di potenza rivolgendosi al centro di assistenza tecnica o direttamente a Techtronic Industries GmbH, Max-Eyth-Straße 10, 71364 Winnenden, Germany.

SIMBOLI



ATTENZIONE! AVVERTENZA! PERICOLO!



Prima di iniziare togliere la batteria dalla macchina.



Leggere attentamente le istruzioni per l'uso prima di mettere in funzione l'elettrotensile.



Accessorio - Non incluso nella dotazione standard, disponibile a parte come accessorio.



I dispositivi elettrici non devono essere smaltiti con i rifiuti domestici. I dispositivi elettrici ed elettronici devono essere raccolti separatamente e devono essere conferiti ad un centro di riciclaggio per lo smaltimento rispettoso dell'ambiente. Chiedere alle autorità locali o al rivenditore specializzato dove si trovano i centri di riciclaggio e i punti di raccolta.



Marchio CE

Marchio di conformità EurAsian

DATOS TÉCNICOS		SIERRA DE SABLE A BATERÍA	C18HZ
Número de producción	4526 65 02...	4467 30 02...	4313 78 02...
00001-99999
Voltaje de batería.....	18 V		
Nº de carreras en vacío.....	0-3000 min ⁻¹		
Carrera	20 mm		
Peso de acuerdo con el procedimiento EPTA 01/2003 (1,5 Ah).....	2,2 kg		
Peso de acuerdo con el procedimiento EPTA 01/2003 (3,0 Ah).....	2,5 kg		

Información sobre ruido y vibraciones

Determinación de los valores de medición según norma EN 60 745.

La presión acústica se eleva normalmente

Presión acústica (Tolerancia K=3dB(A)).....	81 dB (A)
Resonancia acústica (Tolerancia K=3dB(A)).....	92 dB (A)

Usar protectores auditivos!

Nivel total de vibraciones (suma vectorial de tres direcciones) determinado según EN 60745.

aserrado de madera	
Valor de vibraciones generadas a _h	7,2 m/s ²
Tolerancia K=.....	1,5 m/s ²

ADVERTENCIA

El nivel vibratorio indicado en estas instrucciones ha sido medido conforme a un método de medición estandarizado en la norma EN 60745, y puede utilizarse para la comparación entre herramientas eléctricas. También es apropiado para una estimación provisional de la carga de vibración.

El nivel vibratorio indicado representa las aplicaciones principales de la herramienta eléctrica. Si, pese a ello, se utiliza la herramienta eléctrica para otras aplicaciones, con útiles adaptables diferentes o con un mantenimiento insuficiente, el nivel vibratorio puede diferir. Esto puede incrementar sensiblemente la carga de vibración durante todo el periodo de trabajo.

Para una estimación exacta de la carga de vibración deberían tenerse en cuenta también los tiempos durante los que el aparato está apagado o, pese a estar en funcionamiento, no está siendo realmente utilizado. Esto puede reducir sustancialmente la carga de vibración durante todo el periodo de trabajo.

Adopte medidas de seguridad adicionales para la protección del operador frente al efecto de las vibraciones, como por ejemplo: mantenimiento de la herramienta eléctrica y de los útiles adaptables, mantener las manos calientes, organización de los procesos de trabajo.

⚠ ATENCIÓN: Lea atentamente las indicaciones e instrucciones de seguridad. En caso de no atenerse a las advertencias de peligro e instrucciones siguientes, ello puede ocasionar una descarga eléctrica, un incendio y/o lesión grave. **Guardar todas las advertencias de peligro e instrucciones para futuras consultas.**

⚠ INSTRUCCIONES DE SEGURIDAD PARA SIERRAS SABLE

¡Utilice protección auditiva! La exposición a niveles de ruido excesivos puede causar pérdida de audición

Sujete el aparato de las superficies aisladas de agarre al efectuar trabajos en los cuales la perforadora de percusión pueda entrar en contacto con conductores de corriente ocultos. El contacto con conductores portadores de tensión puede hacer que las partes metálicas del aparato le provoquen una descarga eléctrica.

INSTRUCCIONES ADICIONALES DE SEGURIDAD Y LABORALES

Utilice el equipamiento de protección. Mientras trabaje con la máquina lleve siempre gafas protectoras. Se recomienda utilizar ropa de protección como máscara protectora contra el polvo, guantes protectores, calzado resistente y antideslizante, casco y protección para los oídos.

El polvo que se produce durante estos trabajos puede ser nocivo a la salud; es por ello aconsejable que no penetre al cuerpo. Utilice por ello una máscara protectora contra polvo.

No se deben trabajar materiales que conlleven un riesgo para la salud (por ej. amianto).

¡En caso de que se bloquee el útil, el aparato se debe desconectar inmediatamente! No vuelva a conectar el aparato, mientras el útil esté bloqueado; se podría producir un rechazo debido a la reacción de retroceso brusca. Averigüe y elimine la causa del bloqueo del útil, teniendo en cuenta las indicaciones de seguridad.

Causas posibles para ello pueden ser:

- Atascamiento o bloqueo en la pieza de trabajo

- Rotura del material con el que está trabajando
- Sobrecarga de la herramienta eléctrica

No introduzca las manos en la máquina mientras ésta se encuentra en funcionamiento.

El útil se puede calentar durante el uso.

ADVERTENCIA! Peligro de quemaduras

- en caso de cambiar la herramienta
- en caso de depositar el aparato

Nunca se debe intentar limpiar el polvo o viruta procedente del taladrado con la máquina en funcionamiento.

Para trabajar en paredes, techo o suelo, tenga cuidado para evitar los cables eléctricos y tuberías de gas o agua.

Fije la pieza de trabajo con un dispositivo de fijación. Las piezas de trabajo no fijadas pueden causar lesiones graves y deterioros.

No usar seguetas rajadas o torcidas.

En materiales blandos (madera, materiales ligeros de construcción para paredes) es posible hacer cortes verticales sin taladrar primero un agujero. En materiales duros (metales) primero se debe taladrar un agujero de acuerdo con el tamaño de la seguela.

Retire la batería antes de comenzar cualquier trabajo en la máquina.

No tire las baterías usadas a la basura ni al fuego. Los Distribuidores Milwaukee ofrecen un servicio de recogida de baterías antiguas para proteger el medio ambiente.

No almacene la batería con objetos metálicos (riesgo de cortocircuito).

No introduzca en la cavidad del cargador objetos metálicos (riesgo de cortocircuito).

Recargar solamente los acumuladores del Sistema C18 en cargadores C18. No intentar recargar acumuladores de otros sistemas.

No abra nunca las baterías ni los cargadores y guárdelos sólo en lugares secos. Protéjalos de la humedad en todo momento.

En caso de sobrecarga o alta temperatura, pueden llegar a producirse escapes de ácido provenientes de la batería. En caso de contacto con éste, limpie inmediatamente la zona con agua y jabón. Si el contacto es en los ojos, límpiense concienzudamente con agua durante 10 minutos y acuda inmediatamente a un médico

DECLARACIÓN DE CONFORMIDAD CE

Declaramos bajo nuestra responsabilidad que el producto descrito bajo "Datos técnicos" está en conformidad con todas las normas relevantes de la directiva 2011/65/EU (RoHS), 2014/30/UE, 2006/42/CE y con las siguientes normas o documentos normalizados:

EN 60745-1:2009 + A11:2010
EN 60745-2-11:2010
EN 55014-1:2006 + A1:2009 + A2:2011
EN 55014-2:1997 + A1:2001 + A2:2008
EN 50581:2012

Winnenden, 2016-03-29

Alexander Krug

Alexander Krug
Managing Director



Autorizado para la redacción de los documentos técnicos.

Techtronic Industries GmbH
Max-Eyth-Straße 10
71364 Winnenden
Germany

APLICACIÓN DE ACUERDO A LA FINALIDAD

Esta sierra de sable puede cortar madera, plástico y metal; puede cortar líneas rectas, curvas y efectuar cortes internos.

No utilice este producto para ninguna otra aplicación que no sea su uso normal.

BATERÍA

Las baterías no utilizadas durante cierto tiempo deben ser recargadas antes de usar.

Las temperaturas superiores a 50°C reducen el rendimiento de la batería. Evite una exposición excesiva a fuentes de calor o al sol (riesgo de sobrecalentamiento).

Los puntos de contacto de los cargadores y las baterías se deben mantener limpios.

Para un tiempo de vida óptimo, deberán cargarse completamente las baterías después de su uso.

Para garantizar la máxima capacidad y vida útil, las baterías recargables se deberían retirar del cargador una vez finalizada la carga.

En caso de almacenar la batería recargable más de 30 días:

Almacenar la batería recargable en un lugar seco a una temperatura de aproximadamente 27°C.

Almacenar la batería recargable con un estado de carga del 30% y 50% aproximadamente.

Recargar la batería cada 6 meses.

PROTECCIÓN CONTRA SOBRECARGA DE LA BATERÍA

En caso de sobrecarga del acumulador por consumo muy elevado de corriente, por ej. debido a pares muy elevados, agarramiento, parada repentina o cortocircuito, la herramienta eléctrica zumbará durante 2 segundos y se desconectará automáticamente.

Para reconectarla, libere primero el gatillo interruptor y después conectarla de nuevo.

Bajo cargas extremas, el acumulador se puede calentar mucho. En este caso desconectar el acumulador.

TRANSPORTE DE BATERÍAS DE IONES DE LITIO

Las baterías de iones de litio caen bajo las disposiciones legales relativas al transporte de mercancías peligrosas.

El transporte de estas baterías recargables debe llevarse a cabo, observando las normas y disposiciones locales, nacionales e internacionales.

- Los consumidores pueden transportar estas baterías recargables sin el menor reparo en la calle.
- El transporte comercial de baterías recargables de iones de litio por empresas de transportes está sometido a las disposiciones del transporte de mercancías peligrosas. Las preparaciones para el envío y el transporte deben ser llevados a cabo exclusivamente por personas instruidas adecuadamente. El proceso completo debe ser supervisado por personal competente.

Los siguientes puntos se deben observar para el transporte de las baterías recargables:

- Se debe asegurar que los contactos estén protegidos y aislados para evitar que se produzcan cortocircuitos.
- Preste atención a que el conjunto de baterías recargables no se pueda desplazar dentro del envase.
- Las baterías recargables deterioradas o derramadas no se deben transportar.

Rogamos que para cualquier información adicional se dirija a su empresa de transportes.

MANTENIMIENTO

Las ranuras de ventilación de la máquina deben estar despejadas en todo momento.

Utilice solamente accesorios y repuestos Milwaukee. En caso de necesitar reemplazar componentes no descritos, contacte con cualquiera de nuestras estaciones de servicio Milwaukee (consultar lista de servicio técnicos)

Puede solicitar, en caso necesario, una vista despiezada del aparato bajo indicación del tipo de máquina y el número de seis dígitos en la placa indicadora de potencia en su Servicio de Postventa o directamente en Techtronic Industries GmbH, Max-Eyth-Straße 10, 71364 Winnenden, Germany.

SÍMBOLOS



¡ATENCIÓN! ¡ADVERTENCIA! ¡PELIGRO!



Retire la batería antes de comenzar cualquier trabajo en la máquina.



Lea las instrucciones detenidamente antes de conectar la herramienta



Accesorio - No incluido en el equipo estándar, disponible en la gama de accesorios.



Los aparatos eléctricos no se deben eliminar junto con la basura doméstica. Los aparatos eléctricos y electrónicos se deben recoger por separado y se deben entregar a una empresa de reciclaje para una eliminación respetuosa con el medio ambiente. Infórmese en las autoridades locales o en su tienda especializada sobre los centros de reciclaje y puntos de recogida.



Marca CE

certificado EAC de conformidad

CARACTERÍSTICAS TÉCNICAS SERRA DE SABRE A BATERIA**C18HZ**

Número de produção.....	4526 65 02...
.....	4467 30 02...
.....	4313 78 02...
.....	...00001-999999
Tensão do acumulador.....	18 V
Nº. de cursos em vazio.....	0-3000 min ⁻¹
Curso.....	20 mm
Peso nos termos do procedimento-EPTA 01/2003 (1,5 Ah).....	2,2 kg
Peso nos termos do procedimento-EPTA 01/2003 (3,0 Ah).....	2,5 kg

Informações sobre ruído e vibrações

Valores de medida de acordo com EN 60 745.

Normalmente o nível de pressão de ruído da ferramenta é

Nível da pressão de ruído (Incertez K=3dB(A))81 dB (A)

Nível da potência de ruído (Incertez K=3dB(A)).....92 dB (A)

Use protectores auriculares!

Valores totais de vibração (soma dos vectores das três direcções)

determinadas conforme EN 60745.

Serrar madeira

Valor de emissão de vibração a_h.....7,2 m/s²Incerteza K=.....1,5 m/s²**ATENÇÃO**

O nível vibratório indicado nestas instruções foi medido em conformidade com um procedimento de medição normalizado na EN 60745 e pode ser utilizado para comparar entre si ferramentas eléctricas. O mesmo é também adequado para avaliar provisoriamente o esforço vibratório.

O nível vibratório indicado representa as principais aplicações da ferramenta eléctrica. Se, no entanto, a ferramenta eléctrica for utilizada para outras aplicações, com outras ferramentas adaptadas ou uma manutenção insuficiente, o nível vibratório poderá divergir. Isto pode aumentar consideravelmente o esforço vibratório ao longo de todo o período do trabalho.

Para uma avaliação exacta do esforço vibratório devem também ser considerados os tempos durante os quais o aparelho está desligado ou está a funcionar, mas não está efectivamente a ser utilizado. Isto pode reduzir consideravelmente o esforço vibratório ao longo de todo o período do trabalho.

Defina medidas de segurança suplementares para proteger o operador do efeito das vibrações, como por exemplo: manutenção da ferramenta eléctrica e das ferramentas adaptadas, manter as mãos quentes, organização das sequências de trabalho.

⚠ ADVERTÊNCIA! Leia todas as instruções de segurança e todas as instruções. O desrespeito das advertências e instruções apresentadas abaixo pode causar choque eléctrico, incêndio e/ou graves lesões.

Guarde bem todas as advertências e instruções para futura referência.

INSTRUÇÕES DE SEGURANÇA PARA SERRAS DE SABRE

Sempre use a protecção dos ouvidos. A influência de ruídos pode causar surdez.

Segure o aparelho nas superfícies de punho isoladas se estiver a executar trabalhos, nos quais a ferramenta de corte pode tocar em linhas eléctricas escondidas. O contacto com um cabo com tensão também pode ser perigoso para a saúde, por isso não devendo penetrar no corpo. Use uma máscara de protecção contra pó apropriada.

INSTRUÇÕES DE SEGURANÇA E TRABALHO SUPLEMENTARES

Utilizar equipamento de protecção. Durante os trabalhos com a máquina, usar sempre óculos de protecção. Vestuário de protecção, bem como máscara de pó, sapatos fechados e antiderrapante, capacete e protecção auditiva são recomendados.

O pó que resulta ao trabalhar pode ser nocivo para a saúde, por isso não devendo penetrar no corpo. Use uma máscara de protecção contra pó apropriada.

Não devem ser processados materiais que representem um perigo para a saúde (p. ex. asbesto).

Desligue o aparelho imediatamente, quando a ferramenta de inserção bloquear! Não ligue o aparelho novamente durante o bloqueio da ferramenta de inserção, pois isso pode levar a um recuo repentino com uma alta força reactiva. Verifique e elimine a causa do bloqueio da ferramenta de inserção, observando as instruções de segurança.

Causas possíveis podem ser:

- Emperramento na peça a trabalhar
- Material a processar rompido

- Sobrecarga da ferramenta eléctrica

Não toque na máquina em operação.

A ferramenta de inserção pode ficar quente durante a operação.

ATENÇÃO! Perigo de queimar-se

- na troca das ferramentas
- ao depositar o aparelho

Não remover aparas ou lascas enquanto a máquina trabalha.

Ao trabalhar em paredes, tectos e soalhos prestar atenção a que não sejam atingidos cabos eléctricos e canalizações de gás e água.

Fixe a peça a trabalhar com um dispositivo de fixação. Peças a trabalhar não fixadas podem levar a feridas graves e danos sérios.

Não utilizar lâminas de corte fissuradas ou deformadas.

Cortes envaziados só são possíveis em materiais não muito consistentes (madeira, aglomerados ligeiros para paredes). Em materiais mais duros (metais) é necessário efectuar uma furação na qual caiba a lâmina de corte.

Antes de efectuar qualquer intervenção na máquina retirar o bloco acumulador.

Não queimar acumuladores gastos nem deitá-los no lixo doméstico. A Milwaukee possui uma eliminação de acumuladores gastos que respeita o meio ambiente.

Não guardar acumuladores junto com objectos metálicos (perigo de curto-circuito).

Não abrir acumuladores e carregadores. Armazená-los em recintos secos. Protegê-los contra humidade.

Use apenas carregadores do Sistema C18 para recarregar os acumuladores do Sistema C18. Não utilize acumuladores de outros sistemas.

Carregadores só devem ser utilizados em recintos secos.

Em caso de cargas ou temperaturas extremas, um acumulador de substituição danificado poderá verter líquido de bateria. Se entrar em contacto com este líquido, deverá lavar-se imediatamente com água e sabão. Em caso de contacto com os olhos, enxagüe-os

bem e de imediato durante pelo menos 10 minutos e consulte um médico o mais depressa possível.

DECLARAÇÃO DE CONFORMIDADE CE

Declaramos sob responsabilidade exclusiva, que o produto descrito sob "Dados técnicos" corresponde com todas as disposições relevantes da diretiva 2011/65/EU (RoHS), 2014/30/UE, 2006/42/CE e dos seguintes documentos normativos harmonizados.

EN 60745-1:2009 + A11:2010

EN 60745-2-11:2010

EN 55014-1:2006 + A1:2009 + A2:2011

EN 55014-2:1997 + A1:2001 + A2:2008

EN 50581:2012

Winnenden, 2016-03-29


Alexander Krug
Managing Director

Autorizado a reunir a documentação técnica.

Techtronic Industries GmbH

Max-Eyth-Straße 10

71364 Winnenden

Germany

UTILIZAÇÃO AUTORIZADA

Esta serra de sabre corta madeira, plástico e metal. Cortes curvos e à face do material.

Não use este produto de outra maneira sem ser a normal para o qual foi concebido.

ACUMULADOR

Acumuladores não utilizados durante algum tempo devem ser recarregados antes da sua utilização.

Temperaturas acima de 50°C reduzem a capacidade do bloco acumulador. Evitar exposição prolongada ao sol ou a caloríferos.

Manter limpos os contactos eléctricos no carregador e no bloco acumulador.

Para uma vida útil óptima dos acumuladores, terá que carregá-los plenamente após a sua utilização.

Para assegurar uma vida útil longa, o pacote de bateria deve ser removido da carregadora depois do carregamento.

Se o pacote de bateria for armazenado por mais de 30 dias:

Armazene o pacote de bateria com aprox. 27°C em um lugar seco.

Armazene o pacote de bateria com aprox. 30%-50% da carga completa.

Carregue o pacote de bateria novamente de 6 em 6 meses.

PROTECÇÃO DE SOBRECARGA DE BATERIA

No caso de sobrecarga da bateria devido a um consumo de corrente demasiado elevado, por exemplo um binário de rotação extremamente elevado, um bloqueio, uma paragem repentina ou um curto-circuito, a ferramenta eléctrica vibra durante 2 segundos e desliga-se automaticamente.

Para a ligar novamente, desligar e voltar a ligar o interruptor. Sob condições extremas, a bateria pode aquecer demasiado. Neste caso a bateria desliga-se."

TRANSPORTE DE BATERIAS DE IÃO-LÍTRIO

Baterias de ião-lítio estão sujeitas às disposições da legislação relativa às substâncias perigosas.

O transporte destas baterias deve ser efectuado de acordo com as disposições e os regulamentos locais, nacionais e internacionais.

- O utilizador pode efectuar o transporte rodoviário destas baterias sem restrições.
- O transporte comercial de baterias de ião-lítio por terceiros está sujeito aos regulamentos relativos às substâncias perigosas. A preparação do transporte e o transporte devem ser executados exclusivamente por pessoas instruídas e o processo deve ser acompanhado pelos especialistas correspondentes.

Observe o seguinte no transporte de baterias:

- Assegure-se de que os contactos terminais estejam protegidos e isolados para evitar um curto-circuito.
- Assegure-se de que o bloco da bateria esteja protegido contra movimentos na embalagem.
- Não transporte baterias danificadas ou que tenham fuga.

Para instruções mais detalhadas consulte a companhia de transportes

MANUTENÇÃO

Manter desobstruídos os rasgos de ventilação na carcaça da máquina.

Utilizar apenas acessórios Milwaukee e peças sobresselentes Milwaukee. Os componentes cuja substituição não esteja descrita devem ser substituídos num serviço de assistência técnica Milwaukee (consultar a brochura relativa à garantia/moradas dos serviços de assistência técnica).

Se for necessário, um desenho de explosão do aparelho pode ser solicitado do seu posto de assistência ao cliente ou directamente da Techtronic Industries GmbH, Max-Eyth-Straße 10, 71364 Winnenden, Alemanha, indicando o tipo da máquina e o número de seis posições na chapa indicadora da potência.

SYMBOLS

ATENÇÃO! PERIGO!



Antes de efectuar qualquer intervenção na máquina retirar o bloco acumulador.



Leia atentamente o manual de instruções antes de colocar a máquina em funcionamento.



Acessório - Não incluído no equipamento normal, disponível como acessório.



Aparelhos eléctricos não devem ser jogados no lixo doméstico.

Aparelhos eléctricos e electrónicos devem ser colectados separadamente e entregues a uma empresa de reciclagem para a eliminação correcta.

Solicite informações sobre empresas de reciclagem e postos de colecta de lixo das autoridades locais ou do seu vendedor autorizado.



Marca CE

Marca de conformidade EurAsian.

TECHNISCHE GEGEVENS ACCU-RECIPROZAAGMACHINE C18HZ

Productienummer	4526 65 02...
.....	4467 30 02...
.....	4313 78 02...
.....	...00001-999999
Spanning wisselakku	18 V
Onbelast toerental	0-3000 min ⁻¹
Slaglengthe	20 mm
Gewicht volgens de EPTA-procedure 01/2003 (1,5 Ah)	2,2 kg
Gewicht volgens de EPTA-procedure 01/2003 (3,0 Ah)	2,5 kg

Informatie over geluid en trillingen

Meetwaarden vastgesteld volgens EN 60 745.

Het kenmerkende A-gewaardeerde geluidsrukniveau van de machine bedraagt

Geluidsrukniveau (Onzekerheid K=3dB(A))	81 dB (A)
Geluidsvermogensniveau (Onzekerheid K=3dB(A))	92 dB (A)

Draag oorbeschermers!

Totale trillingswaarden (vectorsom van drie richtingen) bepaald volgens EN 60745.

Zagen van hout

Trillingsemmissiewaarde a _h	7,2 m/s ²
Onzekerheid K=	1,5 m/s ²

WAARSCHUWING

De in deze aanwijzingen vermelde trillingsdruk is gemeten volgens een in EN 60745 genoemde meetmethode en kan worden gebruikt voor de onderlinge vergelijking van apparaten. Hij is ook geschikt voor een voorlopige inschatting van de trillingsbelasting.

De aangegeven trillingsdruk geldt voor de meest gebruikelijke toepassingen van het elektrische apparaat. Wanneer het elektrische gereedschap echter voor andere doeleinden, met andere dan de voorgeschreven hulpstukken gebruikt of niet naar behoren onderhouden wordt, kan de trillingsdruk afwijken. Dit kan de waarde van de trillingsdruk over de hele werkperiode aanzienlijk verhogen.

Voor een nauwkeurige inschatting van de trillingsdruk moeten ook de tijden in aanmerking worden genomen dat het apparaat uitgeschakeld is of weliswaar loopt, maar niet werkelijk in gebruik is. Dit kan de waarde van de trillingsdruk over de hele werkperiode aanzienlijk verminderen.

Bepaal extra veiligheidsmaatregelen ter bescherming van de bediener tegen de inwerking van trillingen, bijvoorbeeld: onderhoud van elektrische gereedschappen en apparaten, warmhouden van de handen, organisatie van de werkprocessen.

⚠ WAARSCHUWING! Lees alle veiligheidsinstructies en aanwijzingen. Als de waarschuwingen en voorschriften niet worden opgevolgd, kan dit een elektrische schok, brand of ernstig letsel tot gevolg hebben.
Bewaar alle waarschuwingen en voorschriften voor toekomstig gebruik.

⚠ VEILIGHEIDSINSTRUCTIES VOOR SABELZAGEN

Draag oorbeschermers. Blootstelling aan geluid kan het gehoor beschadigen.

Houd het apparaat alléén aan de geïsoleerde grijpvlakken vast, wanneer u werkzaamheden uitvoert waarbij het snijgereedschap verborgen stroomleidingen zou kunnen raken. Het contact met een onder spanning staande leiding zet ook de metalen machinedelen onder spanning en leidt tot een elektrische schok.

VERDERE VEILIGHEIDS- EN WERKINSTRUCTIES

Draag veiligheidsuitrusting. Bij werkzaamheden met de machine dient u altijd een veiligheidsbril te dragen. Veiligheidskleding zoals stofmasker, veiligheidshandschoenen, stevig en slipvast schoeisel, helm en gehoorbescherming worden aanbevolen.

Het gedurende het werken vrijkomende stof is doorgaans schadelijk voor de gezondheid en mag niet met het lichaam in aanraking komen. Draag derhalve een geschikt stofbeschermsmasker.

Het is niet toegestaan, materialen te bewerken waarvan een gezondheidsgevaar uitgaat (bijv. asbest).

Schakel het apparaat onmiddellijk uit als het gereedschap blokkeert! Schakel het apparaat niet in zolang het gereedschap geblokkeerd is; dit zou een terugslag met een hoog reactiemoment kunnen veroorzaken. Achterhaal en verhelp de oorzaak voor de blokkering van het gereedschap met inachtneming van de veiligheidsinstructies.

Mogelijke oorzaken voor de blokkering:

- kantelen in het te bewerken werkstuk

- doorbreken van het te bewerken materiaal
- overbelasting van het elektrische gereedschap

Grijp niet in de lopende machine.

Het gereedschap kan heet worden tijdens het gebruik.

WAARSCHUWING! Gevaar voor verbranding

- bij het vervangen van het gereedschap
- bij het neerleggen van het apparaat

Spanen of splinters mogen bij draaiende machine niet worden verwijderd.

Bij het werken in wanden, plafonds of vloeren oppassen voor elektriciteitsdraden, gas- of waterleidingen.

Borg uw werkstuk met behulp van een spaninrichting. Niet geborgde werkstukken kunnen ernstig letsel en grote schade veroorzaken.

Gescheurde zaagbladen of welke van vorm veranderd zijn, mogen niet gebruikt worden.

Insteekzagen is alleen in zachte materialen (hout, lichte bouwstoffen voor wanden) mogelijk. Bij hardere materialen (metalen) moet een boring overeenkomstig de grootte van het zaagblad aangebracht worden.

Voor alle werkzaamheden aan de machine de accu verwijderen.

Verbruikte accu's niet in het vuur of bij het huisvuil werpen.

Milwaukee biedt namelijk een milieuvriendelijke recyclingmethode voor uw oude accu's.

Wisselakku's niet bij metalen voorwerpen bewaren (kortsluitingsgevaar!).

In de wisselakku-opnameschacht van het laadapparaat mogen géén metaaldeeltjes komen (kortsluitingsgevaar!).

Wisselakku's van het Akku-Systeem C18 alléén met laadapparaten van het Akku-Systeem C18 laden. Geen accu's van andere systemen laden.

Wisselakku's en laadapparaten niet openen en alleen in droge ruimtes opslaan. Tegen vocht beschermen.

Onder extreme belasting of extreme temperaturen kan uit de accu accu-vloeistof lopen. Na contact met accu-vloeistof direct afwassen met water en zeep. Bij oogcontact direct minstens 10 minuten grondig spoelen en onmiddellijk een arts raadplegen.

EC - VERKLARING VAN OVEREENSTEMMING

Wij verklaren in uitsluitende verantwoording dat het onder 'Technische gegevens' beschreven product overeenstemt met alle relevante voorschriften van de richtlijn 2011/65/EU (RoHS), 2014/30/EU, 2006/42/EG en de volgende geharmoniseerde normatieve documenten:

EN 60745-1:2009 + A11:2010
EN 60745-2-11:2010
EN 55014-1:2006 + A1:2009 + A2:2011
EN 55014-2:1997 + A1:2001 + A2:2008
EN 50581:2012

Winnenden, 2016-03-29

Alexander Krug
Managing Director



Gemachtigd voor samenstelling van de technische documenten
Techtronic Industries GmbH
Max-Eyth-Strasse 10
71364 Winnenden
Germany

VOORGESCHREVEN GEBRUIK VAN HET SYSTEEM

De reciprozaag zaagt hout, kunststof en metaal. Zagen van bochten, insteekzagen, en recht afzagen is mogelijk.

Dit apparaat uitsluitend gebruiken voor normaal gebruik, zoals aangegeven.

AKKU

Langere tijd niet toegepaste wisselakku's vóór gebruik altijd naladen.

Een temperatuur boven de 50°C vermindert de capaciteit van de accu. Langdurige verwarming door zon of hitte vermijden.

De aansluitkontakten aan het laadapparaat en de accu schoonhouden.

Voor een optimale levensduur moeten de accu's na het gebruik volledig opgeladen worden.

Voor een zo lang mogelijke levensduur van de accu's dienen deze na het opladen uit het laadtoestel te worden verwijderd.

Bij een langere opslag van de accu dan 30 dagen: accu bij ca. 27 °C droog bewaren.

accu bij ca. 30 % - 50 % van de laadtoestand bewaren. accu om de 6 maanden opnieuw opladen.

OVERBELASTINGSBEVEILIGING VAN DE ACCU

Bij overbelasting van de accu door een zeer hoog stroomverbruik, bijv. extreem hoge draaimomenten, klemmen, plotseling stoppen of kortsluiting, vibreert het elektrische gereedschap gedurende 2 seconden en schakelt dan automatisch uit.

Om het gereedschap weer in te schakelen, moet u de drukschakelaar loslaten en vervolgens weer inschakelen. Onder extreme belastingen wordt de accu te heet. In dit geval schakelt hij uit.

TRANSPORT VAN LITHIUM-IONEN-ACCU'S

Lithium-ionen-accu's vallen onder de wettelijke bepalingen inzake het transport van gevaarlijke goederen.

Voor het transport van deze accu's moeten de lokale, nationale en internationale voorschriften en bepalingen in acht worden genomen.

- Verbruikers mogen deze accu's zonder meer over de weg transporteren.
- Het commerciële transport van lithium-ionen-accu's door expeditiebedrijven is onderhevig aan de bepalingen inzake

het transport van gevaarlijke goederen. De verzendingsvoorbereidingen en het transport mogen uitsluitend worden uitgevoerd door dienovereenkomstig opgeleide personen. Het complete proces moet vakkundig worden begeleid.

Onderstaande punten moeten bij het transport van accu's in acht worden genomen:

- Waarborg ter vermijding van kortsluitingen dat de contacten beschermd en geïsoleerd zijn.
- Let op dat het accupack in de verpakking niet kan verschuiven.
- Beschadigde of lekkende accu's mogen niet worden getransporteerd.

Neem voor meer informatie contact op met uw expeditiebedrijf.

ONDERHOUD

Altijd de luchtspleten van de machine schoonhouden.

Gebruik uitsluitend Milwaukee toebehoren en onderdelen. Indien componenten die moeten worden vervangen niet zijn beschreven, neem dan contact op met een officieel Milwaukee servicecentrum (zie onze lijst met servicecentra).

Zo nodig kan een explosietekening van het apparaat worden aangevraagd bij uw klantenservice of direct bij Techtronic Industries GmbH, Max-Eyth-Strasse 10, 71364 Winnenden, Duitsland onder vermelding van het machinetype en het zescijferige nummer op het typeplaatje.

SYMBOLEN



OPGELET! WAARSCHUWING! GEVAAR!



Voor alle werkzaamheden aan de machine de accu verwijderen.



Graag instructies zorgvuldig doorlezen vóórdat u de machine in gebruik neemt.



Toebehoren - Wordt niet meegeleverd. Is apart leverbaar. Zie hiervoor het toebehorenprogramma.



Elektrische apparaten mogen niet via het huisafval worden afgevoerd. Elektrische en elektronische apparaten moeten gescheiden worden verzameld en voor een milieuvriendelijke afvoer worden afgegeven bij een recyclingbedrijf. Informeer bij uw gemeente of bij uw vakhandelaar naar recyclingbedrijven en inzamel punten.



CE-keurmerk



EurAsian-symbool van overeenstemming.

TEKNISKE DATA	AKKU BAJONETSAV	C18HZ
Produktionsnummer	4526 65 02...	
.....	4467 30 02...	
.....	4313 78 02...	
.....	...000001-999999	
Udskiftningsbatteriets spænding	18 V	
Slagantal, ubelastet	0-3000 min ⁻¹	
Løftehøjde	20 mm	
Vægt svarer til EPTA-procedure 01/2003 (1,5 Ah)	2,2 kg	
Vægt svarer til EPTA-procedure 01/2003 (3,0 Ah)	2,5 kg	

Støj-/vibrationsinformation

Måleværdier beregnes iht. EN 60 745.

Værktøjets A-vægtede lydtrykniveau er typisk

Lydtrykniveau (Usikkerhed K=3dB(A)) 81 dB (A)

Lydeffekt niveau (Usikkerhed K=3dB(A)) 92 dB (A)

Brug høreværn!

Samlede vibrationsværdier (værdisum for tre retninger) beregnet iht. EN 60745.

Savning af træ

Vibrationseksposering a_h 7,2 m/s²

Usikkerhed K= 1,5 m/s²

ADVARSEL

Svingningsniveauet, som er angivet i disse anvisninger, er målt i henhold til standardiseret måleprocedure ifølge EN 60745 og kan anvendes til indbyrdes sammenligning mellem el-værktøjer. Svingningsniveauet er ligeledes egnet som foreløbigt skøn over svingningsbelastningen.

Det angivne svingningsniveau er baseret på el-værktøjets primære anvendelsesformål. Hvis el-værktøjet benyttes til andre formål, med andet indsatsværktøj eller ikke vedligeholdes tilstrækkeligt, kan svingningsniveauet afvige. Dette kan øge svingningsbelastningen over den samlede arbejdsperiode betydeligt.

For en nøjagtig vurdering af svingningsbelastningen skal der også tages højde for de tidsperioder, hvor apparatet er slukket, eller hvor apparatet kører, men uden at være i anvendelse. Dette kan reducere svingningsbelastningen over den samlede arbejdsperiode betydeligt.

Supplerende sikkerhedsforanstaltninger til beskyttelse af brugeren mod påvirkninger fra svingninger skal iværksættes, f.eks.: Vedligeholdelse af el-værktøj og indsatsværktøj, varmholdelse af hænder, organisering af arbejdsprocesser.

⚠ ADVARSEL! Læs alle sikkerhedsinformationer og instruktioner. I tilfælde af manglende overholdelse af advarselshenvisningerne og instruktionerne er der risiko for elektrisk stød, brand og/eller alvorlige kvæstelser. **Opbevar alle advarselshenvisninger og instrukser til senere brug.**

⚠ SIKKERHEDSINSTRUKTIONER FOR FREM- OG TILBAGEGÅENDE SAVE

Bær høreværn. Støjpåvirkning kan bevirke tab af hørelse.

Hold maskinen fast i de isolerede gribeblader, når du udfører arbejde, hvor der er risiko for, at skæreværktøjet kan ramme skjulte strømledninger. Ved kontakt med en strømførende ledning står metaldele på maskinen også under spænding og giver et elektrisk stød.

YDERLIGERE SIKKERHEDS- OG ARBEJDSINFORMATIONER

Brug beskyttelsesudstyr. Bær altid sikkerhedsbriller, når du arbejder med maskinen. Vi anbefaler desuden brug af personlig beskyttelsesudrustning, såsom støvmaske, sikkerhedshandsker, fast og skridsikkert skotøj, hjelm og høreværn.

Støv, som opstår under arbejdet, er ofte sundhedsfarligt og bør ikke trænge ind i kroppen. Benyt egnet åndedrætsværn.

Der må ikke bearbejdes nogen materialer, der kan udgøre en sundhedsrisiko (f.eks. asbest).

Sluk straks for maskinen, hvis indsatsværktøjet er blokeret! Tænd ikke for maskinen igen, så længe indsatsværktøjet er blokeret; dette kan føre til et tilbageslag med højt reaktionsmoment. Find frem til og afhjælp årsagen til indsatsværktøjets blokering under hensyntagen til sikkerhedsinstruktionerne.

Mulige årsager hertil kan være:

- at det sidder i klemme i emnet der bearbejdes
- at det har brækket materialet der bearbejdes
- at el-værktøjet er overbelastet

Grib ikke ind i maskinen, når den kører.

Indsatsværktøjet kan blive varmt under brugen.

ADVARSEL! Fare for forbrændinger

- ved værktøjsskift
- når man lægger maskinen fra sig

Spåner eller splinter må ikke fjernes, medens maskinen kører.

Ved arbejdsboring i væg, loft eller gulv skal man passe på elektriske kabler, gas- og vandledninger.

Sørg for at sikre dit emne med en spændeanordning. Ikke sikrede emner kan forårsage alvorlige kvæstelser og beskadigelser.

Ridsede savklinger eller sådanne, som har ændret form, må ikke bruges.

Dykasavning er kun muligt i blødere materialer (træ, lette bygningsmaterialer til vægge, ved hårdere materialer (metaller) skal der anbringes et hul, hvis størrelse svarer til savklingen.

Ved arbejde inden i maskinen, bør batteriet tages ud.

Opbrugte udskiftningsbatterier må ikke brændes eller kasseres sammen med alm. husholdningsaffald. Milwaukee har en miljørigtig bortskaffelse af gamle udskiftningsbatterier, henvend Dem til Deres forhandler.

Opbevar ikke udskiftningsbatterier sammen med metalgenstande af fare for kortslutning.

Metaldele o.lign må ikke komme i berøring med rummet beregnet for udskiftningsbatteriet (kortslutningsfare).

Brug kun C18 ladeapparater for opladning af System C18 batterier.

Udskiftningsbatterier og opladere må ikke åbnes og skal opbevares i tørre rum. Beskyt dem mod fugtighed.

I tilfælde af en ekstrem belastning eller ekstrem temperatur kan der flyde batterivæske ud af et beskadiget batteri. Hvis De kommer i berøring med batterivæsken, skal den vaskes godt og grundigt af med vand og sæbe. I tilfælde af øjenkontakt, skal man mindst skylle øjnene godt og grundigt igennem i 10 minutter og omgående opsøge en læge.

CE-KONFORMITETSERKLÆRING

Vi erklærer som eneansvarlig, at det under "Tekniske data" beskrevne produkt stemmer overens med alle relevante forskrifter, der følger af direktiv 2011/65/EU (RoHS), 2014/30/EU, 2006/42/EF samt af følgende harmoniserede normative dokumenter:

EN 60745-1:2009 + A11:2010

EN 60745-2-11:2010

EN 55014-1:2006 + A1:2009 + A2:2011

EN 55014-2:1997 + A1:2001 + A2:2008

EN 50581:2012

Winnenden, 2016-03-29



Alexander Krug
Managing Director



Autoriseret til at udarbejde de tekniske dokumenter.

Techtronic Industries GmbH

Max-Eyth-Straße 10

71364 Winnenden

Germany

TILTÆNKT FORMÅL

Bajonetsaven kan anvendes til træ, plast og metal.

Bajonetsaven afskærer plant til overfladen, i kurver, indvendig udskæring og i rør.

Produktet må ikke anvendes på anden måde og til andre formål end foreskrevet.

BATTERI

Udskiftningsbatterier, der ikke har været brugt i længere tid, efterlades inden brug.

Ved temperaturer over 50°C formindskes batteriets effekt. Undgå direkte sollys og stærk varme.

Tilslutningskontakterne på oplader og udskiftningsbatterier skal holdes rene.

For at opnå en optimal levetid skal de genopladelige batterier oplades fuldt efter brug.

For at sikre en så lang levetid som muligt skal batterierne tages ud af ladeaggregatet efter opladning.

Skal batterierne opbevares længere end 30 dage:

Temperatur ca. 27°C i tørre omgivelser.

Opbevares ved ca. 30%-50% af ladetilstanden.

Batteri skal genoplades hver 6. måned.

OVERBELASTNINGSSIKRING FOR BATTERI

Overbelastes batteriet på grund af meget højt strømforbrug, f.eks. som følge af ekstremt høje drejningsmomenter, fastklemning, pludseligt stop eller kortslutning, brummer el-værktøjet i 2 sekunder og slukker så af sig selv.

For at tænde igen slipper du trykknappen og tænder el-værktøjet på ny.

Under ekstreme belastninger kan batteriet blive meget varmt. I så fald kobler batteriet fra.

TRANSPORT AF LITHIUM-BATTERIER

Lithium-batterier er omfattet af lovgivningen om transport af farligt gods.

Transporten af disse batterier skal ske under overholdelse af lokale, nationale og internationale regler og bestemmelser.

- Forbrugere må transportere disse batterier på veje uden yderligere krav.
- Den kommercielle transport af lithium-batterier ved speditorsfirmaer er omfattet af reglerne for transport af farligt gods. Forberedelsen af forsendelse og transport må kun udføres af tilsvarende trænedte personer. Den samlede proces skal følges af afgørelse.

Følgende punkter skal overholdes ved transport af batterier:

- Sørg for at kontakterne er beskyttet og isoleret for at forhindre kortslutninger.

- Sørg for at batteripakken ikke kan bevæge sig inden for emballagen.
- Beskadigede eller lækkelige batterier må ikke transporteres.

Kontakt dit speditorsfirma for at få yderligere oplysninger.

VEDLIGEHOJDELSE

Hold altid maskinens ventilationsåbninger rene.

Brug kun Milwaukee-tilbehør og Milwaukee-reservedele. Komponenter, hvor udskiftningsproceduren ikke er beskrevet, skal skiftes ud hos et Milwaukee-servicested (se brochure garanti/kundeserviceadresser).

Hvis det er nødvendigt, kan der bestilles en sprængskitse af værktøjet. Angiv herved venligst maskintypen samt det sekscifrede nummer på mærkepladen og bestil tegningen hos din lokale kundeserviceafdeling eller direkte hos Techtronic Industries GmbH, Max-Eyth-Straße 10, 71364 Winnenden, Tyskland.

SYMBOLER



VIGTIGT! ADVARSEL! FARE!



Ved arbejde inden i maskinen, bør batteriet tages ud.



Læs brugsanvisningen nøje før ibrugtagning.



Tilbehør - Ikke inkluderet i leveringsomfanget, køb købes som tilbehør.



Elektrisk udstyr må ikke bortskaffes sammen med det almindelige husholdningsaffald. Elektrisk og elektronisk udstyr skal indsamles særskilt og afleveres hos en genbrugsvirksomhed til en miljømæssig forsvarlig bortskaffelse.

Spørg de lokale myndigheder eller din forhandler om genbrugsstationer og indsamlingssteder til sådant affald.



CE-mærke

EurAsian overensstemmelsesmærke.

TEKNISKE DATA	BATTERIDRETVET SABELSAG	C18HZ
Produksjonsnummer.....	4526 65 02...	
.....	4467 30 02...	
.....	4313 78 02...	
.....	...00001-999999	
Spenning vekselbatteri.....	18 V	
Tomgangsslagfall.....	0-3000 min ⁻¹	
Slaghøyde.....	20 mm	
Vekt i henhold til EPTA-Prosedyren 01/2003 (1,5 Ah).....	2,2 kg	
Vekt i henhold til EPTA-Prosedyren 01/2003 (3,0 Ah).....	2,5 kg	

Støy-/vibrasjonsinformasjon

Måleverdier fastslått i samsvar med EN 60 745.

Det A-bedømte lyd nivået til maskinen er:

Lydtrykknivå (Usikkerhet K=3dB(A)).....81 dB (A)

Lydeffektnivå (Usikkerhet K=3dB(A))92 dB (A)

Bruk hørselsvern!

Totale svingningsverdier (vektorsum fra tre retninger) beregnet jf. EN 60745.

Saging av tre

Svingningsemisjonsverdi a_h7,2 m/s²

Usikkerhet K=1,5 m/s²

ADVARSEL

Svingningsnivået som er angitt i denne instruksjonen er målt i overensstemmelse med målemetoden normert i direktiv EN 60745 og kan brukes til å sammenligne elektromaskiner med hverandre. Den egner seg også for en foreløbig vurdering av svingningsbelastningen.

Det angitte svingningsnivået representerer de hovedsaklige bruk av elektroverktøyet. Men anvendes elektroverktøyet for andre bruk med avvikende utskiftbare verktøy eller vedlikeholdet er utilstrekkelig, kan svingningsnivået være avvikende.

Dette kan forhøye svingningsbelastning betydelig over hele arbeidsperioden. For en nøyaktig vurdering av svingningsbelastningen må også det tas hensyn til tiden apparatet er avslått eller står på, men ikke er i bruk. Dette kan redusere svingningsbelastningen betydelig over hele arbeidsperioden.

Innfør også ekstra sikkerhetstiltak for å beskytte bruker mot utvirkingen av svingningene. Disse kan f.eks. være: vedlikehold av elektroverktøyet og det utskiftbare verktøyet, holde hendene varme, organisasjon av arbeidsforløpet.

⚠ OBS! Les alle sikkerhetsinstruksjoner og bruksanvisninger.

Feil ved overholdelsen av advarslene og nedenstående anvisninger kan medføre elektriske støt, brann og/eller alvorlige skader.

Ta godt vare på alle advarslene og informasjonene.

⚠ SIKKERHETS INSTRUKSJONER FOR SABELSAGER

Bruk hørselsvern. Støy kan føre til tap av hørselen

Hold apparatet i de isolerte holdeflatene, når det arbeides på steder hvor elektroverktøyet kan treffe skjulte strømledninger. Kontakt med en spenningsførende ledning setter også maskinens metalldele under spenning og fører til elektriske støt.

Ytterligere sikkerhets- og arbeidsinstruksjoner

Bruk vernebekledning. Ta alltid på vernebrille ved bruk av maskinen. Vernebekledning så vel som støvmaske, vernehansker, fast og skliskikkert skotøy, hjem og hørselsvern er anbefalt.

Støvet som oppstår ved arbeidet er ofte helsefarlig og skal ikke komme i kontakt med kroppen. Bruk derfor vernemaske som er egnet for støv.

Materialer som er helsefarlig skal ikke bearbeides (f.eks. asbest)

Slå av apparatet med en gang dersom det isatte verktøyet er blokkert! Ikke slå apparatet på igjen så lenge det isatte verktøyet er blokkert; her kan det oppstå et tilbakeslag med høyt reaksjonsmoment. Finn ut hvorfor det isatte verktøyet blokkerer og fjern årsaken til dette. Ta herved hensyn til sikkerhets instruksene.

Mulige årsaker til dette kan være:

- det har forkantet seg i arbeidsemnet som bearbeides
- det har brekt gjennom materialet som bearbeides
- elektroverktøyet er overbelastet

Ikke grip inn i maskinen når den står på og går.

Isatt verktøy kan i bruk bli veldig varmt.

ADVARSEL! Fare for forbrenning

EN 60745-1:2009 + A11:2010

EN 60745-2-11:2010

EN 55014-1:2006 + A1:2009 + A2:2011

EN 55014-2:1997 + A1:2001 + A2:2008

EN 50581:2012

Winnenden, 2016-03-29



Alexander Krug
Managing Director



Autorisert til å utarbeide den tekniske dokumentasjonen

Techtronic Industries GmbH

Max-Eyth-Straße 10

71364 Winnenden

Germany

FORMÅLSMESSIG BRUK

Bajonettsgagen sager treverk, plast og metall. Den skjærer rett, kurver og innvendige utsnitt. Den skjærer rør og skiller i flukt med flater.

Dette apparatet må kun brukes til de oppgitte formål.

BATTERIER

Vekselbatterier som ikke er brukt over lengre tid skal etterlades for bruk.

En temperatur over 50°C reduserer vekselbatteriets kapasitet. Unngå oppvarming i sol eller ved varmeovner (fyring) i lengre tid.

Hold tilkoplingskontaktene på lader og vekselbatteri rene.

For en optimal levetid må batteriene etter bruk ladet helt opp.

For å sikre en lengst mulig brukstid av batteriene skal disse etter oppladning taes ut av laderen.

Ved lagring av batteriene lengre enn 30 dager:

Lagre batteriet tørt ved ca. 27°C.

Lagre batteriet ved en oppladningsstand på ca. 30%-50%.

Lade opp batteriet igjen etter 6 måneder.

OVERBELASTNINGSVERN FOR OPPLADBARE BATTERIER

Ved overbelastning av det oppladbare batteriet p.g.a. svært høy strømforsyning, for eksempel ved ekstrem høye dreiemoment, fastklemming, plusselig stopp eller kortslutning, brummer elektroverktøyet 2 sekunder og slår seg så automatisk av.

For å slå det på igjen, må man slippe trykkbryteren og så slå på igjen.

Ved ekstreme belastninger kan det oppladbare batteriet bli sterkt opphetet. I slike tilfeller kobler batteriet seg ut.

TRANSPORT AV LITIUION-BATTERI

Litium-ion-batterier faller under de lovfestede forskriftene om transport av farlig gods.

Transporten av disse batteriene må rette seg etter lokale, nasjonale og internasjonale forskrifter og bestemmelser.

- Forbruker har lov å transportere disse batteriene på gaten uten reglementering.
- Den kommersielle transport av Litium-ion-batterier av spedisjonsfirma faller under bestemmelsene om transport av farlig gods. Forberedningene av forsendelsen og transport skal utelukkende gjennomføres av personer som har blitt skolert til dette. Hele prosessen skal følges opp av fagfolk.

Følgende punkter skal tas hensyn til ved transport:

- Kontroller at kontaktene er beskyttet og isolert for å unngå kortslutninger.
- Pass på at batteripakken i forpakningen ikke kan skli fram og tilbake.
- Skadede eller batterier som lekker er det ikke lov å transportere.

Ta kontakt med spedisjonsfirma for ytterlige henvisninger.

VEDLIKEHOLD

Hold alltid luften åpningene på maskinen rene.

Bruk kun Milwaukee tilbehør og Milwaukee reservedeler. Komponenter der utskifting ikke er beskrevet skal skiftes ut hos Milwaukee kundeservice (se brosjyre garanti/kundeserviceadresser).

Ved behov kan det fås en eksplosjonstegning av apparatet hos kundeservice eller direkte hos Techtronic Industries GmbH, Max-Eyth-Straße 10, 71364 Winnenden, Germany ved angivelse av maskinens type og det sekstallige nummeret på maskinens skilt.

SYMBOLER



OBS! ADVARSEL! FARE!



Ta ut vekselbatteriet før du arbeider på maskinen



Les nøye gjennom bruksanvisningen før maskinen tas i bruk.



Tilbehør - inngår ikke i leveransen, anbefalt komplettering fra tilbehørsprogrammet.



Elektriske apparat skal ikke kastes sammen med vanlig husholdningsavfall. Elektriske og elektroniske apparat skal samles separat og leveres til miljøvennlig deponering til en avfall bedrift. Informer deg hos myndighetene på stedet eller hos din fagforhandler hvor det finnes recycling bedrifter oppsamlingssteder.



CE-tegn

EurAsian Konformitetstegn.

TEKNISKA DATA	BATTERIDRIVEN TIGERSÅG	C18HZ
Produktionsnummer	4526 65 02...	
.....	4467 30 02...	
.....	4313 78 02...	
.....	...00001-999999	
Batterispänning.....	18 V	
Tomgångslagtal.....	0-3000 min ⁻¹	
Slaglängd.....	20 mm	
Vikt enligt EPTA 01/2003 (1,5 Ah)	2,2 kg	
Vikt enligt EPTA 01/2003 (3,0 Ah)	2,5 kg	

Ljud-vibrationsdata

Mätvärdena har tagits fram baserade på EN 60 745.

A-värdet av maskinens ljudtrycksnivå är

Ljudtrycksnivå (Onoggrannhet K=3dB(A)).....81 dB (A)

Ljudeffektsnivå (Onoggrannhet K=3dB(A)).....92 dB (A)

Använd hörselskydd!

Totala vibrationsvärdet (vektorsumma ur tre riktningar) framtaget enligt EN 60745.

Sågning i trä

Vibrationsemissionsvärde a_h.....7,2 m/s²

Onoggrannhet K=.....1,5 m/s²

VARNING

Den i de här anvisningarna angivna vibrationsnivån har uppmätts enligt ett i EN 60745 normerat mätförfarande och kan användas vid jämförelse mellan olika elverktyg. Nivån är även lämplig att använda vid en preliminär bedömning av vibrationsbelastningen.

Den angivna vibrationsnivån representerar den huvudsakliga användningen av det aktuella elverktyget. Men om elverktyget ska användas i andra användningsområden, tillsammans med avvikande insatsverktyg eller efter otillräckligt underhåll, kan vibrationsnivån skilja sig. Det kan öka vibrationsbelastningen betydligt under hela arbetstiden.

För att få en exaktare bedömning av vibrationsbelastningen ska även den tid beaktas, under vilken elverktyget är avstängt eller är påslaget, utan att det verkligen används. Det kan reducera vibrationsbelastningen betydligt under hela arbetstiden.

Lägg som skydd för användaren fast extra säkerhetsåtgärder mot vibrationernas verkan, som till exempel: underhåll av elverktyg och insatsverktyg, varmhållning av händer och organisering av arbetsförlöpp.

⚠ VARNING! Läs all säkerhetsinformation och alla anvisningar. Fel som uppstår till följd av att anvisningarna nedan inte följts kan orsaka elstöt, brand och/eller allvarliga kroppsskador.

Förvara alla varningar och anvisningar för framtida bruk.

⚠ SÄKERHETSANVISNINGAR FÖR TIGERSÅGAR

Bär hörselskydd. Bullerbelastning kan orsaka hörselskador.

Håll fast apparaten med hjälp av de isolerade greppytorna när du utför arbeten där arbetsverktyget skulle kunna träffa på dolda elledningar. Om sågen kommer i kontakt med en spänningsförande ledning sätts sågens metalldelar under spänning som sedan kan leda till elektriskt slag.

ÖVRIGA SÄKERHETS- OCH ANVÄNDNINGSSINSTRUKTIONER

Använd skyddsutrustning. Använd alltid skyddsglasögon när du använder maskinen. Som skyddsutrustning rekommenderar vi t ex en dammskyddsmask, skyddshandskar, stabila och halksäkra skor, hjälm och hörselskydd.

Det damm som bildas under arbetets gång är ofta hälsofarligt och det ska inte komma in i kroppen. Bär därför lämplig skyddsmask.

Det är inte tillåtet att bearbeta material som kan vara hälsovadligt (t.ex. asbest).

Stäng av maskinen omedelbart om ett verktyg som används sitter fast! Sätt sedan inte på maskinen igen så länge som verktyget som används fortfarande sitter fast; risk för okontrollerade slag med högt reaktionsmoment. Ta reda på orsaken varför verktyget fastnade och åtgärda orsaken med hänsyn till säkerhetsanvisningarna.

Möjliga orsaker kan vara:

- Verktyget sitter snett i arbetsstycket
- Verktyget går igenom materialet som bearbetas
- Elverktyget är överbelastat

Gå aldrig med händerna in i en maskin som är igång.

Verktyget som används kan bli mycket varmt under användningen.

VARNING! Risk för brännskador

CE-FÖRSÄKRAN

Vi intygar och ansvarar för att den produkt som beskrivs under "Tekniska data" överensstämmer med alla relevanta bestämmelser i direktiv 2011/65/EU (RoHS), 2014/30/EU, 2006/42/EG och följande harmoniserade normerande dokument:

EN 60745-1:2009 + A11:2010

EN 60745-2-11:2010

EN 55014-1:2006 + A1:2009 + A2:2011

EN 55014-2:1997 + A1:2001 + A2:2008

EN 50581:2012

Winnenden, 2016-03-29



Alexander Krug
Managing Director



Befullmäktigad att sammanställa teknisk dokumentation.

Techtronic Industries GmbH

Max-Eyth-Straße 10

71364 Winnenden

Germany

ANVÄND MASKINEN ENLIGT ANVISNINGARNA

Sabelsåg säger trä, plast och metall. Den skär rakt, säger kurvor och kapa plant.

Maskinen får endast användas för angiven tillämpning.

BATTERIER

Batteri som ej använts på länge måste laddas före nytt bruk.

En temperatur över 50°C reducerar batteriets effekt. Undvik längre uppvärmning tex i solen eller nära ett element.

Se till att anslutningskontaktarna i laddaren och på batteriet är rena.

För en optimal livslängd ska batterierna laddas helt igen efter användningen.

För att få en så lång livslängs som möjligt bör laddningsbara batterier avlägsnas från laddaren när de är laddade.

Om laddningsbara batterier lagras längre än 30 dagar:

Lagra batteriet torrt och vid ca 27°C.

Lagra batteriet vid ca 30%-50% av laddningskapaciteten.

Ladda batterierna på nytt var 6:e månad.

BATTERI-ÖVERBELASTNINGSSKYDD

Om det uppladdningsbara batteriet överbelastas på grund av mycket hög strömförbrukning, till exempel vid extremt höga vridmoment, fastklämning, plötsligt stopp eller kortslutning, brummar elverktyget i 2 sekunder och stängs sedan av automatiskt.

Släpp därefter först upp tryckknappen och slå sedan på elverktyget igen, om du vill fortsätta bearbetningen.

Vid extrem belastning kan batteriet bli väldigt varmt. I ett sådant fall stängs batteriet av automatiskt.

TRANSPORTERA LITIJUMJON-BATTERIER

För litiumjon-batterier gäller de lagliga föreskrifterna för transport av farligt gods på väg.

Därför får dessa batterier endast transporteras enligt gällande lokala, nationella och internationella föreskrifter och bestämmelser.

- Konsumenter får transportera dessa batterier på allmän väg utan att behöva beakta särskilda föreskrifter.
- För kommersiell transport av litiumjon-batterier genom en speditorsfirma gäller emellertid bestämmelserna för transport av farligt gods på väg. Endast personal som känner till alla tillämpliga föreskrifter och bestämmelser får förbereda och genomföra transporten. Hela processen ska följas upp på fackmässigt sätt.

Följande ska beaktas i samband med transporten av batterier:

- Säkerställ att alla kontakter är skyddade och isolerade för att undvika kortslutning.

- Se till att batteripacken inte kan glida fram och tillbaka i förpackningen.
- Transportera aldrig batterier som läcker, har runnit ut eller är skadade.

För mer information vänligen kontakta din speditorsfirma.

SKÖTSEL

Se till att motorhöljets luftslitsar är rena.

Använd endast Milwaukee-tillbehör och Milwaukee-reservdelar. Komponenter, för vilka inget byte beskrivs, skall bytas ut hos Milwaukee-kundtjänst (se broschyren garanti-/kundtjänstadresser).

Vid behov kan du rekommendera apparatens sprängskiss antingen hos kundservice eller direkt hos Techtronic Industries GmbH, Max-Eyth-Straße 10, 71364 Winnenden, Germany. Du ska då ange maskintypen och numret på sex siffror som står på effektskylten.

SYMBOLER



OBSERVERA! VARNING! FARA!



Drag ur batteripaket innan arbete utföres på maskinen.



Läs instruktionen noga innan du startar maskinen.



Tillbehör - Ingår ej i leveransomfånget, erhålles som tillbehör.



Elektriska maskiner och elverktyg som kasseras får inte slängas tillsammans med de vanliga hushållsoporna. Elektriska maskiner och verktyg samt elektronisk utrustning som kasseras ska samlas separat och lämnas till en avfallsstation för miljövänlig avfallshantering. Kontakta den lokala myndigheten respektive kommunen eller fråga återförsäljare var det finns speciella avfallsstationer för elskrot.



CE-symbol

EurAsian överensstämmelsesymbol.

TEKNISET ARVOT	AKKUPUUKKOSAHA	C18HZ
Tuotantnumero	4526 65 02...	
.....	4467 30 02...	
.....	4313 78 02...	
.....	...00001-999999	
Jännite vaihtoakku.....	18 V	
Kuormittamaton iskuluku	0-3000 min ⁻¹	
Iskun pituus	20 mm	
Paino EPTA-menettelyn 01/2003 mukaan (1,5 Ah)	2,2 kg	
Paino EPTA-menettelyn 01/2003 mukaan (3,0 Ah)	2,5 kg	

Melu-/tärinätieto

Mitta-arvot määritetty EN 60 745 mukaan.

Yleensä työkalun A-luokan melutaso

Melutaso (Epävarmuus K=3dB(A)).....81 dB (A)

Äänenvoimakkuus (Epävarmuus K=3dB(A)).....92 dB (A)

Käytä kuulosuojaimia!

Värähtelyn yhteisarvot (kolmen suunnan vektorisumma) mitattuna

EN 60745 mukaan.

Puun sahaaminen

Värähtelyemissioarvo a_p

Epävarmuus K=.....1,5 m/s²

VAROITUS

Näissä ohjeissa mainittu värähtelytaso on mitattu EN 60745 -standardin mukaisella mittausmenetelmällä ja sitä voidaan käyttää sähkötyökalujen vertaamiseen. Sitä voidaan käyttää myös värähtelyrasituksen väliaikaiseen arviointiin.

Mainittu värähtelytaso edustaa sähkötyökalun pääasiallista käyttöä. Jos sähkötyökalua kuitenkin käytetään muihin tehtäviin, poikkeavin työkaluin tai riittämättömästi huoltaen, värähtelytaso voi olla erilainen. Se voi korottaa värähtelyrasitusta koko työajan osalta.

Tarkan värähtelyrasituksen toteamiseen tulee ottaa huomioon aika, jona laite on kytketty pois tai on kylläkin päällä, mutta ei käytössä. Se voi pienentää värähtelyrasitusta koko työajan osalta.

Määrittele lisäturvatoimenpiteitä käyttäjän suojaamiseksi värinöiden vaikutukselta, kuten esimerkiksi: sähkötyökalujen ja käyttötyökalujen huolto, käsien lämpimän pitäminen, työvaiheiden organisaatio.

VAROITUS! Lue kaikki turvallisuusmääräykset ja ohjeet. Turvallisuusohjeiden noudattamisen laiminlyönti saattaa johtaa sähköiskuun, tulipaloon ja/tai vakavaan loukkaantumiseen. Säilytä kaikki turvallisuus- ja muut ohjeet tulevaisuutta varten.

PUUKKOSAHOJEN TURVALLISUUSMÄÄRÄYKSET

Käytä korvasuojia. Altistuminen melulle voi vahingoittaa kuuloa.

Pitele laitetta vain eristetyistä tarttumapinnoista, kun suoritat sellaisia töitä, joissa leikkaustyökalu saattaa osua piilossa oleviin sähköjohtoihin. Kosketus jännitteeseen johtoon saattaa myös koneen metalliosat jännitteisiksi ja johtaa sähköiskuun.

TÄYDENTÄVIÄ TURVALLISUUSMÄÄRÄYKSIÄ JA TYÖSKENTELYOHJEITA

Käytä suojavarusteita. Käytä aina suojalaseja käyttäessäsi konetta. Suosittelemme suojavarusteiden käyttöä, näihin kuuluvat pölysuojanaamarit, työkasineet, tukevat, luistamattomat jalkineet, kypärä ja kuulosuojukset.

Koneen käytöstä aiheutuva pöly ja jäte voi olla haitallista terveydelle eikä sen vuoksi tulisi päästä kosketukseen ihon kanssa. Koneella työskennellessä on käytettävä sopivaa suojaainta.

Terveydellisiä vaaroja aiheuttavien materiaalien (esim. asbestin) työstäminen on kielletty.

Jos käytetty työkalu juuttuu kiinni, sammuta laite heti! Älä kytke laitetta uudelleen päälle työkalun ollessa vielä kiinni juuttuneena, koska tästä saattaa aiheutua voimakas takaisku. Selvitä työkalun juuttumisen syy ja poista syy turvallisuusmääräyksiä noudattaen.

Mahdollisia syitä voivat olla:

- työkalun vinoutuminen työstökappaleessa
- työstetyn materiaalin puhkaiseminen
- sähkötyökalun ylikuormitus

Älä tartu käynnissä olevan koneen työosiin.

Käytetty työkalu saattaa kuumeta käytön aikana.

VAROITUS! Palovamman vaara

- työkalua vaihdettaessa
- laitetta pois laskettaessa

Lastuja tai puruja ei saa poistaa koneen käydessä.

Varo seinään, kattoon tai lattiaan porattaessa osumasta sähköjohtoon, kaasu- ja vesijohtoihin.

Varmista työstökappaleesi kiinnitysliitteellä paikalleen. Varmistamattomat työstökappaleet saattavat aiheuttaa vakavia vammoja ja vaurioita.

Rikkiniisiä sahanteriä tai sellaisia, jotka ovat muuttaneet muotoaan ei saa käyttää!

Upotussahaus on mahdollista vain pehmeämpiin materiaaleihin (puu, kevytrakenteiset seinät), koviin materiaaleihin (metallit) on ensin tehtävä sahanterän suuruinen porausaukko.

Ota akku pois ennen kaikkia koneeseen tehtäviä toimenpiteitä.

Käytettyjä vaihtoakkuja ei saa polttaa eikä poistaa normaalin jätehuollon kautta. Milwaukeella on tarjolla vanhoja vaihtoakkuja varten ympäristöystävällinen jätehuoltopalvelu.

Vaihtoakkuja ei saa säilyttää yhdessä metalliesineiden kanssa (oikosulkuvaara).

On varottava, ettei latauslaitteiden vaihtoakkulatauskoloon joudu metalliesineitä (oikosulkuvaara).

Käytä ainoastaan System C18 latauslaitetta System C18 akkujen lataukseen. Älä käytä muiden järjestelmien akkuja.

Vaihtoakkuja ja latauslaitteita ei saa avata. Säilytys vain kuivissa tiloissa. Suojattava kosteudelta.

Vaurioituneesta akusta saattaa erityisen kovassa käytössä tai poikkeavassa lämpötilassa vuotaa akkuhappoa. Ihonkohta, joka on joutunut kosketukseen akkuhapon kanssa on viipymättä pestävä vedellä ja saippualla. Silmä, johon on joutunut akkuhappoa, on huuhdeltava vedellä vähintään 10 minuutin ajan, jonka jälkeen on viipymättä hakeuduttava lääkärin apuun.

TODISTUS CE-STANDARDINMUKAISUUDESTA

Vakuutamme yksinvastuullisesti, että kohdassa "Tekniset tiedot" kuvattu tuote vastaa kaikkia sitä koskevia direktiivien 2011/65/EU (RoHS), 2014/30/EU, 2006/42/EY määräyksiä sekä seuraavia harmonisoituja standardisoivia asiakirjoja:

EN 60745-1:2009 + A11:2010

EN 60745-2-11:2010

EN 55014-1:2006 + A1:2009 + A2:2011

EN 55014-2:1997 + A1:2001 + A2:2008

EN 50581:2012

Winnenden, 2016-03-29

Alexander Krug

Alexander Krug
Managing Director



Valtuutettu kokoamaan tekniset dokumentit.

Techtronic Industries GmbH

Max-Eyth-Straße 10

71364 Winnenden

Germany

TARKOITUKSEN MUKAINEN KÄYTTÖ

Puukkosaha pystyy puuhun, muoviin ja metalliin. Sillä voidaan sahata suoria, viistoja ja käyriä leikkauksia sekä reikiä.

Älä käytä tuotetta ohjeiden vastaisesti.

AKKU

Pitkään käyttämättä olleet vaihtoakut on ladattava ennen käyttöä.

Yli 50°C lämpötilassa akun suorituskyky heikkenee. Vältäthän akkujen säilyttämistä auringossa tai kuumissa tiloissa.

Pidä aina latauslaitteen ja akun kosketinpinnat puhtaina.

Akut on ladattava täyteen käytön jälkeen optimaalisen eliniän säilyttämiseksi.

Mahdollisimman pitkän elinajan takaamiseksi akut tulee poistaa laturista lataamisen jälkeen.

Akkuja yli 30 päivää säilytettäessä:

Säilytä akku yli 27 °C:ssa ja kuivassa.

Säilytä akku sen latauksen ollessa 30 % - 50 %.

Lataa akku 6 kuukauden välein uudelleen.

AKUN YLIKUORMITUSSUOJAUS

Jos akku ylikuormittuu erittäin suuren virrankulutuksen vuoksi, esim. erittäin suurten vääntömomenttien, kiinnijuuttumisen, äkillisen pysähtymisen tai lyhytsulun vuoksi, niin sähkötyökalu surisee 2 sekunnin ajan ja sammuu sitten omatoimisesti. Käynnistä laite uudelleen päästämällä katkaisinpainike irti ja kytkemällä se sitten uudelleen. Erittäin suuressa kuormituksessa saattaa akku kuumeta liikaa. Tässä tapauksessa akku kytketty pois.

LITIUMI-IONI AKKujen KULJETTAMINEN

Litiumi-ioniakut kuuluvat vaarallisten aineiden kuljetuksesta annettujen lakien piiriin.

Näiden akkujen kuljettaminen täytyy suorittaa noudattaen paikallisia, kansallisia ja kansainvälisiä määräyksiä ja säädöksiä.

- Kuluttajat saavat ilman muuta kuljettaa näitä akkuja teitä pitkin.
- Kaupallisessa kuljetuksessa huolintaliikkeiden täytyy kuljettaa litiumi-ioniakkuja vaarallisten aineiden kuljetuksesta annettujen määräysten mukaisesti. Ainoastaan tähän vastaavasti koulutetut henkilöt saavat suorittaa kuljetuksen valmistelutoimet ja itse kuljetuksen. Koko prosessia tulee valvoa asiantuntevasti.

Seuraavat kohdat tulee huomioida akkuja kuljetettaessa:

- Varmista, että akkujen kontaktit on suojattu ja eristetty, jotta vältetään lyhytsulut.

- Huolehdi siitä, ettei akkusarja voi luiskahtaa paikaltaan pakkauksen sisällä.
- Vahingoittuneita tai vuotavia akkuja ei saa kuljettaa.

Pyydä tarkemmat tiedot huolintaliikkeeltäsi.

HUOLTO

Pidä moottorin ilmanottoaukot puhtaina.

Käytä ainoastaan Milwaukeee lisätarvikkeita ja Milwaukeee varaosia. Mikäli jokin komponentti, jota ei ole kuvailtu, tarvitsee vaihtoa ota yhteys johonkin Milwaukeee palvelupisteistä (kts. listamme takuuhuoltoilikeiden/ palvelupisteiden osoitteista)

Tarvittaessa voit pyytää laitteen räjähdyspiirustuksen ilmoittaan konetyypin ja tyyppikilvessä olevan kuusinumeroisen luvun huoltopalvelustasi tai suoraan osoitteella Techtronic Industries GmbH, Max-Eyth-Strasse 10, 71364 Winnenden, Saksa.

SYMBOLIT



HUOMIO! VAROITUS! VAARA!



Ota akku pois ennen kaikkia koneeseen tehtäviä toimenpiteitä.



Lue käyttöohjeet huolellisesti, ennen koneen käynnistämistä.



Lisälaite - Ei sisälly vakiovarustukseen, saatavana lisätarvikkeena.



Sähkölaitteita ei saa hävittää yhdessä kotitalousjätteiden kanssa.

Sähkö- ja elektroniset laitteet tulee kerätä erikseen ja toimittaa kierrätysliikkeeseen ympäristöystävällistä hävittämistä varten. Pyydä paikallisilta viranomaisilta tai alan kauppiailta tarkemmat tiedot kierrätyspisteistä ja keräyspaikoista.



CE-merkki

EurAsian-vaatimusten mukaisuusmerkki.

TEKNİK VERİLER AKÜ KILIÇ TESTERESİ C18HZ

Üretim numarası	4526 65 02...
.....	4467 30 02...
.....	4313 78 02...
.....	...000001-999999
Kartuş akü gerilimi	18 V
Boşta ki strok sayısı	0-3000 min ⁻¹
Strok yüksekliği	20 mm
Ağırlığı ise EPTA-üretici 01/2003 'e göre. (1,5 Ah)	2,2 kg
Ağırlığı ise EPTA-üretici 01/2003 'e göre. (3,0 Ah)	2,5 kg

Gürültü ve titreşim önleme hakkında bilgi

Ölçüm değerleri EN 60 745 e göre belirlenmektedir.
Aletin A değerlendirilmeli gürültü seviyesi tipik olarak şu değerdedir:
Ses basıncı seviyesi (Tolerans K=3dB(A)) 81 dB (A)
Akustik kapasite seviyesi (Tolerans K=3dB(A)) 92 dB (A)

Koruyucu kulaklık kullanın!

Toplam titreşim değeri (üç yönün vektör toplamı) EN 60745'e göre belirlenmektedir.

Ağaç yontma

Titreşim emisyon değeri a _h	7,2 m/s ²
Tolerans K=	1,5 m/s ²

UYARI

Bu talimatlarda belirtilen titreşim seviyesi, EN 60745 standardına uygun bir ölçme metodu ile ölçülmüştür ve elektrikli el aletleri birbiriyle karşılaştırmak için kullanılabilir. Ölçüm sonuçları ayrıca titreşim yükünün geçici değerlendirilmesi için de uygundur.

Belirtilen titreşim seviyesi, elektrikli el aletinin genel uygulamaları için geçerlidir. Ancak elektrikli el aleti başka uygulamalar için, farklı eklenti parçalarıyla ya da yetersiz bakım koşullarında kullanılırsa, titreşim seviyesi farklılık gösterebilir. Bu durumda, titreşim yükü toplam çalışma zaman aralığı içerisinde belirgin ölçüde yükselebilir.

Titreşim yükünün tam bir değerlendirmesi için ayrıca cihazın kapalı olduğu süreler ve cihazın çalışır durumda olduğu, ancak gerçek kullanımda bulunmadığı süreler de dikkate alınmalıdır. Böylelikle, toplam çalışma zamanı aralığı boyunca meydana gelen titreşim yükü belirgin ölçüde azaltılabilir.

Kullanıcıyı titreşimlerin etkisinden korumak üzere, örneğin elektrikli el aletlerinin ve eklenti parçalarının bakımı, ellerin sıcak tutulması ve iş akışlarının organizasyonu gibi ek güvenlik tedbirleri belirleyiniz.

UYARI! Bütün güvenlik notlarını ve talimatları okuyunuz. Açıklanan uyarılara ve talimat hükümlerine uyulmadığı takdirde elektrik çarpmalarına, yangınlara ve/veya ağır yaralanmalara neden olunabilir.

Bütün uyarıları ve talimat hükümlerini ileride kullanmak üzere saklayın.

KILIÇ TESTERELER İÇİN GÜVENLİK UYARILARI

Koruyucu kulaklık kullanın. Çalışırken çıkan gürültü işitme kayıplarına neden olabilir.

Kesme aletinin eğrilmiş elektrik kabloları isabet eden çalışmalar yapılırken cihazı izole edilmiş kollarından tutun. Elektrik akımı ileten kablolarla temas edilecek olursa metal alet elemanlarına da gerilim geçer ve bu da elektrik çarpmalarına neden olabilir.

EK GÜVENLİK VE ÇALIŞMA TALİMATLARI

Koruma teçhizatı kullanın. Makinada çalışırken devamlı surette koruyucu gözlük takın. Koruyucu elbise ve tozlardan korunma maskesi, emniyet eldivenleri ve sağlam ve kaymaya mukavim ayakkabı giyin. Başlık ve kulaklık tavsiye edilir.

Çalışma sırasında ortaya çıkan toz genellikle sağlığa zararlıdır ve bedeninize temas etmemelidir. Uygun bir koruyucu toz maskesi kullanın

Sağlık tehlikelerine neden olan malzemelerin işlenmesi yasaktır (örn. asbest).

Uca yerleştirilen takımın bloke olması halinde lütfen cihazı hemen kapatın! Uca yerleştirilen takım bloke olduğu sürece cihazı tekrar çalıştırmayın; bu sırada yüksek reaksiyon momentine sahip bir geri tepme meydana gelebilir. Uca yerleştirilen takımın neden bloke olduğuna bakın ve bu durumu güvenlik uyarılarına dikkat ederek gidiniz.

Olası nedenler şunlar olabilir:

- İşlenen parça içinde takılma
- İşlenen malzemenin delinmesi
- Elektrikli alete aşırı yük binmesi

Ellerinizi çalışmakta olan makinenin içine uzatmayın.

CE UYGUNLUK BEYANI

Tek sorumlu olarak "Teknik Veriler" bölümünde tarif edilen ürünün 2011/65/EU (RoHS), 2014/30/EU, 2006/42/EC sayılı direktifin ve aşağıdaki harmonize temel belgelerin bütün önemli hükümlerine uygun olduğunu beyan etmekteyiz:

EN 60745-1:2009 + A11:2010
EN 60745-2-11:2010
EN 55014-1:2006 + A1:2009 + A2:2011
EN 55014-2:1997 + A1:2001 + A2:2008
EN 50581:2012

Winnenden, 2016-03-29

Alexander Krug

Alexander Krug
Managing Director



Teknik evrakları hazırlamakla görevlendirilmiştir.

Techtronic Industries GmbH
Max-Eyth-Straße 10
71364 Winnenden
Germany

KULLANIM

Bu panter testere tahta, plastik ve metalleri keser; düz, kavisli ve içten kesme işleri yapar. Boruları keser ve yüzeyle aynı hizada kesme yapar.

Bu alet sadece belirttiği gibi ve usulüne uygun olarak kullanılabilir.

AKÜ

Uzun süre kullanım dışı kalmış kartuş aküleri kullanmadan önce şarj edin.

50°C üzerindeki sıcaklıklar kartuş akünün performansını düşürür. Akünün güneş ışığı veya mekân sıcaklığı altında uzun süre ısınmasına dikkat edin.

Şarj cihazı ve kartuş aküdeki bağlantı kontaklarını temiz tutun. Akünün ömrünün mükemmel bir şekilde uzun olması için kullandıktan sonra tamamen doldurulması gerekir.

Ömrünün mümkün olduğu kadar uzun olması için akülerin yüklemeye yapıldıktan sonra doldurma cihazından uzaklaştırılması gerekir.

Akünün 30 günden daha fazla depolanması halinde: Aküyü takriben 27°C'de kuru olarak depolayın.

Aküyü yüklemeye durumunun takriben % 30 - %50 olarak depolayın.

Aküyü her 6 ay yeniden doldurun.

AKÜNÜN AŞIRI YÜKLENMEYE KARŞI KORUNMASI

Pek fazla elektrik tüketimi yapılmak suretiyle aküye fazla yüklenildiğinde, örneğin aşırı devir momentleri, aniden durma veya kısa devre, elektrikli alet 2 saniye garip sesler çıkarır ve kendiliğinden durur.

Aleti yeniden çalıştırmak için şalter baskı kolunu serbest bırakın ve bundan sonra tekrar çalıştırın. Aşırı yüklenme durumunda ise akü pek fazla ısınır. Bu durumda akü kendiliğinden durur."

LITYUM İYON PİLLERİN TAŞINMASI

Lityum iyon piller tehlikeli madde taşımacılığı hakkındaki yasal hükümler tabidir.

Bu piller, bölgesel, ulusal ve uluslararası yönetmeliklere ve hükümlere uyularak taşınmak zorundadır.

- Tüketiciler bu pilleri herhangi bir özel şart aranmaksızın karayoluyla taşıyabilirler.
- Lityum iyon pillerin nakliye şirketleri tarafından ticari taşımacılığı için tehlikeli madde taşımacılığının hükümleri geçerlidir. Sevk hazırlığı ve taşıma sadece ilgili eğitimi görmüş personel tarafından gerçekleştirilebilir. Bütün süreç uzmanca bir refakatçilik altında gerçekleştirilmek zorundadır.

Pillerin taşınması sırasında aşağıdaki hususlara dikkat edilmesi gerekmektedir:

- Kısa devre oluşmasını önlemek için kontakların korunmuş ve izole edilmiş olmasını sağlayınız.
- Pil paketinin ambalajı içinde kaymamasına dikkat ediniz.
- Hasarlı veya akmış pillerin taşınması yasaktır.

Ayrıca bilgiler için nakliye şirketinize başvurunuz.

BAKIM

Aletin havalandırma aralıklarını daima temiz tutun.

Sadece Milwaukee aksesuarı ve yedek parçası kullanın. Nasıl değiştirileceği açıklanmamış olan yapı parçalarını bir Milwaukee müşteri servisinde değiştirin (Garanti ve servis adresi broşürünüze dikkat edin).

Gerektiğinde cihazın ayrıntılı çizimini, güç levhası üzerindeki makine modelini ve altı haneli rakamı belirterek müşteri servisinizden veya doğrudan Techtronic Industries GmbH, Max-Eyth-Straße 10, 71364 Winnenden, Germany adresinden isteyebilirsiniz.

SEMBOLLER



DİKKAT! UYARI! TEHLİKE!



Aletin kendinde bir çalışma yapmadan önce kartuş aküyü çıkarın.



Lütfen aleti çalıştırmadan önce kullanma kılavuzunu dikkatli biçimde okuyun.



Aksesuar - Teslimat kapsamında değildir, önerilen tamamlamalar aksesuar programında.



Elektrikli cihazların evsel atıklarla birlikte bertaraf edilmesi yasaktır. Elektrikli ve elektronik cihazlar ayrılarak biriktirilmeli ve çevreye zarar vermeden bertaraf edilmeleri için bir atık değerlendirme tesisine götürülmelidirler. Yerel makamlara veya satıcınıza geri dönüşüm tesisleri ve atık toplama merkezlerinin yerlerini danışınız.



CE işareti

EurAsian Uyumluluk işareti

TECHNICKÁ DATA AKU ŠAVLOVÁ PILA C18HZ

Výrobní číslo.....	4526 65 02...
.....	4467 30 02...
.....	4313 78 02...
.....	...00001-999999
Napětí výměnného akumulátoru.....	18 V
Počet zdvihů při b. napr.....	0-3000 min ⁻¹
Výška zdvihu	20 mm
Hmotnost podle prováděcího předpisu EPTA 01/2003 (1,5 Ah)	2,2 kg
Hmotnost podle prováděcího předpisu EPTA 01/2003 (3,0 Ah)	2,5 kg

Informace o hluku / vibracích

Naměřené hodnoty odpovídají EN 60 745.

Typická vážená

Hladina akustického tlaku (Kolísavost K=3dB(A)).....81 dB (A)

Hladina akustického výkonu (Kolísavost K=3dB(A)).....92 dB (A)

Používejte chrániče sluchu !

Celkové hodnoty vibrací (vektorový součet tří směrů) zjištěné ve smyslu EN 60745.

Rezáni dřeva

Hodnota vibračních emisí a_n

Kolísavost K=

VAROVÁNÍ

Úroveň chvění uvedená v tomto návodu byla naměřena podle metody měření stanovené normou EN 60745 a může být použita pro porovnání elektrického nářadí. Hodí se také pro průběžný odhad zatížení chvěním.

Uvedená úroveň chvění představuje hlavní účely použití elektrického nářadí. Jestliže se ale elektrické nářadí používá pro jiné účely, s odlišnými nástroji nebo s nedostatečnou údržbou, může se úroveň chvění odlišovat. To může značně zvýšit zatížení chvěním během celé pracovní doby.

Pro přesný odhad zatížení chvěním se musí také zohlednit časy, během kterých je přístroj vypnutý nebo kdy je sice v chodu, ale skutečně se s ním nepracuje. To může zatížení chvěním během celé pracovní doby značně snížit.

Stanovte doplňková bezpečnostní opatření pro ochranu obsluhy před účinky chvění jako například: technická údržba elektrického nářadí a nástrojů, udržování teploty rukou, organizace pracovních procesů.

UPOZORNĚNÍ! Přečtěte si všechny bezpečnostní pokyny a návody. Zanedbání při dodržování varovných upozornění a pokynů mohou mít za následek úder elektrickým proudem, požár a/nebo těžká poranění.

Všechna varovná upozornění a pokyny do budoucna uschovejte.

BEZPEČNOSTNÍ POKYNY PRO ŠAVLOVÉ PILY

Používejte chrániče sluchu. Působením hluku může dojít k poškození sluchu.

Při provádění prací, při kterých nástroj může narazit na skryta elektrická vedení, držte přístroj za izolované přídržovací plošky. Kontakt s vedením pod napětím přivádí napětí i na kovové díly stroje a vede k elektrickému úderu.

DALŠÍ BEZPEČNOSTNÍ A PRACOVNÍ POKYNY

Použijte ochranné vybavení. Při práci s elektrickým nářadím používejte vždy ochranné brýle. Doporučujeme rovněž použití součástí ochranného oděvu a ochranné obuvi, jako protiprašné masky, ochranných rukavic, pevné a nekouzající obuvi, ochranné přilby a ochrany sluchu.

Prach vznikající při práci s tímto nářadím může být zdraví škodlivý. Proto by neměl přijít do styku s tělem. Používejte při práci vhodnou ochranu masku.

Nesmějí se opracovávat materiály, které mohou způsobit ohrožení zdraví (např. azbest)

Při zablokování nasazeného nástroje přístroj okamžitě vypněte! Přístroj nezapínajte, pokud je nasazený nástroj zablokovaný; mohl by při tom vzniknout zpětný náraz s vysokým reakčním momentem. Zjistěte příčinu zablokování nasazeného nástroje a odstraňte ji při dodržení bezpečnostních pokynů.

Možnými příčinami mohou být:

- vzpříčení v opracovávaném obrobku
- přelomení opracovávaného materiálu
- přetížení elektrického přístroje

Nezasahujte do běžícího stroje.

Nasazený nástroj se může během používání rozpálit.

VAROVÁNÍ! Nebezpečí popálení.

- při výměně nástroje
- při odkládání přístroje

Pokud stroj běží, nesmí být odstraňovány třísky nebo odštěpky. Při vrtní do zdi, stropu nebo podlahy dávat pozor na elektrické kabely, plynová a vodovodní potrubí.

Obrobek zabezpečte upínacím zařízením. Nezabezpečené obrobky mohou způsobit těžká poranění a poškození.

Popraskané nebo zdeformované pilové listy nesmí být používány!

Takzvané ponorné řezy jsou možné jen u měkkých materiálů. Zapneme nástroj a nasadíme ho na vodící těmen, jednou rukou dobře přidržujeme kryt a druhou rukou zatlačíme ovladač nahoru a zanoříme pilový list.

Před zahájením veškerých prací na vrtacím šroubováků vyjmout výměnný akumulátor.

Použití nevyhazujte do domovního odpadu nebo do ohně. Milwaukee nabízí ekologickou likvidaci starých článků, ptejte se u vašeho obchodníka s nářadím.

Náhradní akumulátor neskladujte s kovovými předměty, nebezpečí zkratu.

V nabíjecím postu nabíječky neskladujte kovové předměty, nebezpečí zkratu.

Akumulátor systému C18 nabíjejte pouze nabíječkou systému C18. Nenabíjejte akumulátory jiných systémů.

Náhradní akumulátory ani nabíječku neotvírejte, skladujte je v suchu, chraňte před vlhkem.

Při extrémní zátěži či vysoké teplotě může z akumulátoru vytékat kapalina. Při zasažení touto kapalinou okamžitě zasažená místa omyjte vodou a mýdlem. Při zasažení očí okamžitě důkladně po dobu alespoň 10 min. omývat a neodkladně vyhledat lékaře.

CE-PROHLÁŠENÍ O SHODĚ

Výhradně na vlastní zodpovědnost prohlašujeme, že se výrobek popsaný v "Technických údajích" shoduje se všemi relevantními předpisy směrnice 2011/65/EU (RoHS), 2014/30/ES, 2006/42/ES a s následujícími harmonizovanými normativními dokumenty:

EN 60745-1:2009 + A11:2010

EN 60745-2-11:2010

EN 55014-1:2006 + A1:2009 + A2:2011

EN 55014-2:1997 + A1:2001 + A2:2008

EN 50581:2012

Winnenden, 2016-03-29

Alexander Krug
Managing Director



Zplnomocněn k sestavování technických podkladů.

Techtronic Industries GmbH

Max-Eyth-Straße 10

71364 Winnenden

Germany

OBLAST VYUŽITÍ

Šavlová pila řeže dřevo, plasty a kov. Řeže přímkově, v křivkách a vnitřní pružky. Řeže trubky a odděluje plochy.

Toto zařízení lze používat jen pro uvedený účel.

AKUMULÁTOR

Děle nepoužívané akumulátory je nutné před použitím znovu nabít.

Teplota přes 50°C snižuje výkon akumulátoru. Chraňte před dlouhým přehříváním na slunci či u topení.

Kontakty nabíječky a akumulátoru udržujte v čistotě.

Optimální životnost akumulátorů se zajistí, když se po použití vždy plně nabijí.

K zabezpečení dlouhé životnosti by se akumulátory měly po nabití vyjmout z nabíječky.

Při skladování akumulátoru po dobu delší než 30 dní:

Skladujte akumulátor v suchu při cca 27°C.

Skladujte akumulátor při cca 30%-50% nabíjecí kapacity.

Opakujte nabíjení akumulátoru každých 6 měsíců.

OCHRANA PROTI PŘETÍŽENÍ AKUMULÁTORU

Při přetížení akumulátoru přilíží vysokým odběrem proudu, například při extrémně vysokých točivých momentech, při blokování, náhlém zastavení nebo zkratu, začne vrtáčka na 2 sekundy bručet a poté se samočinně vypne.

K opětovnému zapnutí uvolněte spínací tlačítko a poté jej opět zapněte.

Při extrémním zatížení se akumulátor může silně zahřát.

Dojde-li k tomu, akumulátor se vypne.

PŘEPRAVA LITHIUM-IONTOVÝCH BATERIÍ

Lithium-iontové baterie spadají podle zákonných ustanovení pod přepravu nebezpečného nákladu.

Přeprava těchto baterií se musí realizovat s dodržováním lokálních, vnitrostátních a mezinárodních předpisů a ustanovení.

- Spotřebitelé mohou tyto baterie bez problémů přepravovat po komunikacích.
- Komerční přeprava lithium-iontových baterií prostřednictvím přepravních firem podléhá ustanovením o přepravě nebezpečného nákladu. Přípravu k vyexpedování a samotnou přepravu směřující vykonávat jen příslušně vyškolené osoby. Na celý proces se musí odborně dohlížet.

Při přepravě baterií je třeba dodržovat následující:

- Zajistěte, aby kontakty byly chráněné a izolované, aby se zamezilo zkratům.

- Dávejte pozor na to, aby se svazek baterií v rámci balení nemohl sesmeknout.
- Poškozené a vyteklé baterie se nesmějí přepravovat.

Ohledně dalších informací se obraťte na vaši přepravní firmu.

ÚDRŽBA

Větrací štěrby nářadí udržujeme stále čisté.

Používat výhradně příslušenství Milwaukee a náhradní díly Milwaukee. Díly jejichž výměny nebyla popsána, nechte vyměnit v autorizovaném servisu (viz "Záruky / Seznam servisních míst")

V případě potřeby si můžete v servisním centru pro zákazníky nebo přímo od firmy Techtronic Industries GmbH, Max-Eyth-Straße 10, 71364 Winnenden, Německo vyžádat schematický náčrt jednotlivých dílů přístroje, když uvedete typ přístroje a šestimístné číslo na výkonovém štítku.

SYMBOLY



POZOR! VAROVÁNÍ! NEBEZPEČÍ!



Před zahájením veškerých prací na vrtacím šroubováků vyjmout výměnný akumulátor.



Před spuštěním stroje si pečlivě přečtěte návod k používání.



Příslušenství není součástí dodávky, viz program příslušenství.



Elektrické přístroje se nesmí likvidovat společně s odpadem z domácnosti. Elektrické a elektronické přístroje je třeba sbírat odděleně a odevzdat je v recyklačním podniku na ekologickou likvidaci. Na místních úřadech nebo u vašeho specializovaného prodejce se informujte na recyklační podniky a sběrné dvory.



Značka CE



Euroasijská značka shody

TECHNICKÉ ÚDAJE	AKUMULÁTOROVÁ ŠABL'OVÁ PÍLA	C18HZ
Výrobné číslo.....	4526 65 02...	
.....	4467 30 02...	
.....	4313 78 02...	
.....	...00001-999999	
Napätie výmenného akumulátora.....	18 V	
Počet zdvihov naprázdno.....	0-3000 min ⁻¹	
Výška zdvihu.....	20 mm	
Hmotnosť podľa vykonávacieho predpisu EPTA 01/2003 (1,5 Ah).....	2,2 kg	
Hmotnosť podľa vykonávacieho predpisu EPTA 01/2003 (3,0 Ah).....	2,5 kg	

Informácia o hluku / vibráciách

Namerané hodnoty určené v súlade s EN 60 745.
 A-ohodnotená hladina akustického tlaku prístroja ciní
 Hladina akustického tlaku (Kolísavosť K=3dB(A)).....81 dB (A)
 Hladina akustického výkonu (Kolísavosť K=3dB(A)).....92 dB (A)

Používajte ochranu sluchu!

Celkové hodnoty vibrácií (vektorový súčet troch smerov) zistené v zmysle EN 60745.

Rezanie dreva
 Hodnota vibračných emisí a_h.....7,2 m/s²
 Kolísavosť K=.....1,5 m/s²

POZOR

Úroveň vibrácií uvedená v týchto pokynoch bola nameraná meracou metódou, ktorú stanovuje norma EN 60745 a je možné ju použiť na vzájomné porovnanie elektrického náradia. Hodí sa aj na predbežné posúdenie kmitavého namáhania.

Uvedená úroveň vibrácií reprezentuje hlavné aplikácie elektrického náradia. Ak sa však elektrické náradie používa pre iné aplikácie, s odlišnými vložkami nástrojmi alebo s nedostatočnou údržbou, môže sa úroveň vibrácií líšiť. Toto môže kmitavé namáhanie v priebehu celej pracovnej doby podstatne zvýšiť.

Pre presný odhad kmitavého namáhania by sa mali tiež zohľadniť doby, v ktorých je náradie vypnuté alebo je síce v chode, ale v skutočnosti sa nepoužíva. Toto môže kmitavé namáhanie v priebehu celej pracovnej doby zreteľne redukovat'.

Stanovte dodatočné bezpečnostné opatrenia pre ochranu obsluhy pred účinkami vibrácií, ako napríklad: údržba elektrického náradia a vložných nástrojov, udržiavanie teploty rúk, organizácia pracovných postupov.

UPOZORNENIE! Prečítajte si všetky bezpečnostné pokyny a návody. Zanedbanie dodržiavania Výstražných upozornení a pokynov uvedených v nasledujúcom texte môže mať za následok zásah elektrickým prúdom, spôsobiť požiar a/alebo ťažké poranenie.

Tieto Výstražné upozornenia a bezpečnostné pokyny starostlivo uschovajte na budúce použitie.

BEZPEČNOSTNÉ POKYNY PRE ŠABL'OVÉ PÍLY

Používajte ochranu sluchu. Pôsobenie hluku môže spôsobiť stratu sluchu.

Pri realizovaní prác, pri ktorých nástroj môže naraziť na skryté elektrické vedenia, držte prístroj za izolované pridrôzovacie plošky. Kontakt s vedením, ktoré je pod napätím, spôsobí, že aj kovové súčiastky náradia sa dostanú pod napätie, čo má za následok zásah elektrickým prúdom.

ĎALŠIE BEZPEČNOSTNÉ A PRACOVNÉ POKYNY

Použite ochranné vybavenie. Pri práci s elektrickým náradím používajte vždy ochranné okuliare. Doporučujeme taktiež použitie súčastí ochranného odevu a ochrannej obuvi, ako sú protiprašná maska, ochranné rukavice, pevná a nekľzajúca obuv, ochranná prilba a ochrana sluchu.

Prach vznikajúci pri práci môže byť škodlivý zdraviu. Pri práci nosiť vhodnú ochrannú masku, aby sa nedostal do ľudského organizmu.

Nesmú sa opracovávať materiály, ktoré môžu spôsobiť ohrozenie zdravia (napr. azbest)

Pri zablokovaní nasadeného nástroja prístroj okamžite vypnite! Prístroj nezapínajte, pokiaľ je nasadený nástroj zablokovaný; mohol by pri tom vzniknúť spätný náraz s vysokým reakčným momentom. Príčinu zablokovania nasadeného nástroja zistíte odstránením so zohľadnením bezpečnostných pokynov.

Možnými príčinami môžu byť:

- spriečenie v opracovávanom obrobku
- prelomenie opracovávaného materiálu
- preťaženie elektrického prístroja

Nezasahujte do bežiacieho stroja.

Nasadený nástroj sa počas používania môže rozhorčiť.

POZOR! Nebezpečenstvo popálenia

- pri výmene nástroja
- pri odkladaní prístroja

Triesky alebo úlomky sa nesmú odstraňovať za chodu stroja.

Pri práci v stene, strope alebo v podlahe dávajte pozor na elektrické káble, plynové a vodovodné potrubia.

Obrobok zabezpečte upínacím zariadením. Nezabezpečené obrobky môžu spôsobiť ťažké poranenia a poškodenia.

Popraskané pilové listy alebo také, ktoré zmenili tvar, nesmú sa použiť.

Ponorné pílenie je možné len v mäkkších materiáloch (drevo, ľahké stavebné materiály pre steny), v tvrdších materiáloch (kovy) sa musí vyvrtat najprv diera odpovedajúca veľkosti pilového listu.

Pred každou prácou na stroji výmenný akumulátor vytiahnuť.

Opotrebované výmenné akumulátory nezahadzujte do ohňa alebo medzi domový odpad. Milwaukee ponúka likvidáciu starých výmenných akumulátorov, ktorá je v súlade s ochranou životného prostredia; informujte sa u Vášho predajcu.

Výmenné akumulátory neskladovať spolu s kovovými predmetmi (nebezpečenstvo skratu).

Do zasúvacieho otvoru pre výmenné akumulátory na nabíjacom zariadení, sa nesmú dostať žiadne kovové predmety (nebezpečenstvo skratu).

Výmenné akumulátory systému C18 nabíjať len nabíjacími zariadeniami systému C18. Akumulátory iných systémov týmto zariadením nenabíjajte.

Výmenné akumulátory a nabíjacie zariadenia neatvárať a skladovať len v suchých priestoroch. Chrániť pred vlhkosťou.

Pri extrémnych záťažach alebo extrémnych teplotách môže dôjsť k vytekaniu batérovej tekutiny z poškodeného výmenného akumulátora. Ak dôjde ku kontaktu pokožky s roztokom, postihnúť miesto umýť vodou a mydlom. Ak sa roztok dostane do očí, okamžite ich dôkladne vypláchnuť po dobu min. 10 min a bezodkladne vyhľadať lekára.

CE - VYHLÁSENIE KONFORMITY

Výhradne na vlastnú zodpovednosť vyhlasujeme, že výrobok popísaný v "Technických údajoch" sa zhoduje so všetkými relevantnými predpismi smernice 2011/65/EU (RoHS), 2014/30/EU, 2006/42/EC a nasledujúcimi harmonizujúcimi normatívnymi dokumentmi:

EN 60745-1:2009 + A11:2010
 EN 60745-2-11:2010
 EN 55014-1:2006 + A1:2009 + A2:2011
 EN 55014-2:1997 + A1:2001 + A2:2008
 EN 50581:2012

Winnenden, 2016-03-29

Alexander Krug

Alexander Krug
 Managing Director



Spnomocnený zostaviť technické podklady.

Techtronic Industries GmbH

Max-Eyth-Straße 10

71364 Winnenden

Germany

POUŽITIE PODĽA PREDPISOV

Šabl'ovitá píla píli drevo, plast a kov. Píli priamky, krivky a vnútorné výrezy. Reže rýpa a plošne oddeľuje.

Tento prístroj sa smie používať len v súlade s uvedenými predpismi.

AKUMULÁTORY

Dlhší čas nepoužívané výmenné akumulátory pred použitím dobiť.

Teplota vyššia ako 50°C znižuje výkon výmenného akumulátora. Zabráňte dlhšiemu ohriatiu slinkom alebo kúrením.

Pripájacie kontakty na nabíjacom zariadení a výmennom akumulátore udržiavať čisté.

K zachovaniu optimálnej životnosti se baterie musejí po použití vždy úplne dobiť.

K zabezpečeniu dlhej životnosti by sa akumulátory mali po nabití vybrať z nabíjačky.

Pri skladovaní akumulátora po dobu dlhšiu než 30 dní:

Skladujte akumulátor v suchu pri cca 27°C.

Skladujte akumulátor pri cca 30%-50% nabíjacej kapacity.

Opakujte nabíjanie akumulátora každých 6 mesiacov.

OCHRANA PROTI PREŤAŽENIU AKUMULÁTORA

Pri preťažení akumulátora príliš vysokým odberom prúdu, napríklad pri extrémne vysokých točivých momentoch, pri blokovaní, náhlom zastavení alebo skrate, začne vrtačka na 2 sekundy hučať a potom sa samočinne vypne.

K opätovnému zapnutiu uvoľníte spinacie tlačidlo a potom ho opäť zapnete.

Pri extrémnom zaťažení sa akumulátor môže silne zahriať. Ak k tomu dôjde, akumulátor sa vypne.

PREPRAVA LÍTIOVO-IÓNOVÝCH BATÉRIÍ

Lítiovo-iónové batérie podľa zákonných ustanovení spadajú pod prepravu nebezpečného nákladu.

Preprava týchto batérií sa musí realizovať s dodržiavaním lokálnych, vnútroštátnych a medzinárodných predpisov a ustanovení.

- Spotrebiteľia môžu tieto batérie bez problémov prepravovať po cestách.
- Komerčná preprava lítiovo-iónových batérií prostredníctvom špedičných firiem podlieha ustanoveniam o preprave nebezpečného nákladu. Prípravu k vyexpedovaniu a samotnú prepravu smú vykonávať iba adekvátne vyškolené osoby. Na celý proces sa musí odborne dohliadať.

Pri preprave batérií treba dodržiavať nasledovné:

- Zabezpečte, aby boli kontakty chránené a izolované, aby sa zamedzilo skratom.
- Dávajte pozor na to, aby sa zväzok batérií v rámci balenia nemohol zošmyknúť.
- Poškodené a vytečené batérie sa nesmú prepravovať.

Kvôli ďalším informáciám sa obráťte na vašu špedičnú firmu.

ÚDRZBA

Vetracie otvory udržiavať stále v čistote.

Používať len Milwaukee príslušenstvo a Milwaukee náhradné diely. Súčiastky bez návodu na výmenu treba dat vymeniť v jednom z Milwaukee zákazníckych centier (viď brožúru Záruka/ Adresy zákazníckych centier).

V prípade potreby si môžete v servisnom centre pre zákazníkov alebo priamo od firmy Techtronic Industries GmbH, Max-Eyth-Straße 10, 71364 Winnenden, Nemecko, vyžiadať schématický náčrt jednotlivých dielov prístroja pri uvedení typu prístroja a šesťmiestneho čísla na výkonovom štítku.

SYMBOLY



POZOR! NEBEZPEČENSTVO!



Pred každou prácou na stroji výmenný akumulátor vytiahnuť.



Pred prvým použitím prístroja si pozorne prečítajte návod na obsluhu.



Príslušenstvo - nie je súčasťou štandardnej výbavy, odporúčané doplnenie z programu príslušenstva.



Elektrické prístroje sa nesmú likvidovať spolu s odpadom z domácností.

Elektrické a elektronické prístroje treba zbierať oddelene a odovzdať ich v recyklačnom podniku na ekologickú likvidáciu.

Na miestnych úradoch alebo u vášho špecializovaného predajcu sa spýtajte na recyklačné podniky a zberné dvory.



Značka CE

Euroázijská značka zhody

DANE TECHNICZNE PILARKA SZABLASTA AKUMULATOROWA**C18HZ**

Numer produkcyjny.....	4526 65 02...
.....	4467 30 02...
.....	4313 78 02...
.....	...00001-999999
Napięcie baterii akumulatorowej.....	18 V
Skok bez obciążenia.....	0-3000 min ⁻¹
Długość skoku.....	20 mm
Ciężar wg procedury EPTA 01/2003 (1,5 Ah).....	2,2 kg
Ciężar wg procedury EPTA 01/2003 (3,0 Ah).....	2,5 kg

Informacja dotycząca szumów / wibracji

Zmierzone wartości wyznaczono zgodnie z normą EN 60 745.

Typowy poziom ciśnienia akustycznego mierzony wg krzywej A:

Poziom ciśnienia akustycznego (Niepewność K=3dB(A)).....81 dB (A)

Poziom mocy akustycznej (Niepewność K=3dB(A)).....92 dB (A)

Należy używać ochraniaczy uszu!

Wartości łączne drgań (suma wektorowa trzech kierunków)

wyznaczone zgodnie z normą EN 60745

Piłowanie drewna

Wartość emisji drgań a_h.....7,2 m/s²Niepewność K=.....1,5 m/s²**OSTRZEŻENIE**

Podany w niniejszych instrukcjach poziom drgań został zmierzony za pomocą metody pomiarowej zgodnej z normą EN 60745 i może być użyty do porównania ze sobą elektronarzędzi. Nadaje się on również do tymczasowej oceny obciążenia wibracyjnego.

Podany poziom drgań reprezentuje głównie zastosowania elektronarzędzia. Jeśli jednakże elektronarzędzie użyte zostanie do innych celów z innym narzędziami roboczymi lub nie jest dostatecznie konserwowane, wtedy poziom drgań może wykazywać odchylenia. Może to wyraźnie zwiększyć obciążenie wibracjami przez cały okres pracy.

Dla dokładnego określenia obciążenia wibracjami należy uwzględnić również czasy, w których urządzenie jest wyłączone względnie jest włączone, lecz w rzeczywistości nie pracuje. Może to spowodować wyraźną redukcję obciążenia wibracyjnego w całym okresie pracy.

Należy wprowadzić dodatkowe środki zapobiegawcze celem ochrony obsługującego przed oddziaływaniem drgań, jak na przykład: konserwacja narzędzi roboczych i elektronarzędzi, nagrzanie rąk, organizacja przebiegu pracy.

OSTRZEŻENIE! Należy przeczytać wszystkie wskazówki dotyczące bezpieczeństwa i instrukcje.

Błędy w przestrzeganiu poniższych wskazówek mogą spowodować porażenie prądem, pożar i/ lub ciężkie obrażenia ciała.

Należy starannie przechowywać wszystkie przepisy i wskazówki bezpieczeństwa dla dalszego zastosowania.**WSKAZÓWKI DOTYCZĄCE BEZPIECZEŃSTWA DLA PIŁ SZABLASTYCH****Stosować środki ochrony słuchu!** Narazenie na hałas może spowodować utratę słuchu.**Trzymaj urządzenie za izolowane powierzchnie chwytne gdy wykonujesz roboty, w trakcie których narzędzie skrawające może natrafić na ukryte przewody prądowe.** Kontakt z przewodami pod napięciem wprowadza również metalowe części urządzenia pod napięciem i prowadzi do porażenia prądem.**DODATKOWE WSKAZÓWKI BEZPIECZEŃSTWA I INSTRUKCJE ROBOCZE**

Stosować wyposażenie ochronne. Przy pracy maszyną zawsze nosić okulary ochronne. Zalecana jest odzież ochronna, jak maska pyłochronna, rękawice ochronne, mocne i chroniące przed poślizgiem obuwie, kask i ochronniki słuchu.

Kurz powstający przy pracy z tym elektronarzędziem może być szkodliwy dla zdrowia, w związku z tym nie powinien dotrzeć do ciała. Nosić odpowiednią maskę przeciwpyłową.

Nie wolno obrabiać materiałów, które mogą być przyczyną zagrożenia zdrowia (na przykład azbestu).

W przypadku zablokowania narzędzia nasadzanego należy natychmiast wyłączyć urządzenie! Nie należy ponownie włączyć urządzenia tak długo, jak długo narzędzie nasadzone jest zablokowane; przy tym mógłby powstać odrzut zwrotny o dużym momencie reakcyjnym. Należy wykręcić i usunąć przyczynę zablokowania narzędzia nasadzanego uwzględniając wskazówki dotyczące bezpieczeństwa.

Możliwymi przyczynami tego mogą być:

• Skośne ustawienie się w poddawany obróbce przedmiocie obrabianym

• Przerwanie materiału poddawanego obróbce

• Przeciążenie narzędzia elektrycznego

Nie należy sięgać do wnętrza maszyny będącej w ruchu.

Narzędzie nasadzone może w trakcie użytkowania stać się gorące.

OSTRZEŻENIE! Niebezpieczeństwo oparzenia się• przy wymianie narzędzia
• przy odstawianiu urządzenia

Podczas pracy elektronarzędzia nie wolno usuwać trocin ani drzazg.

Podczas pracy przy ścianach, sufitach i podłodze należy uważać na kable elektryczne, przewody gazowe i wodociągowe.

Należy zabezpieczyć przedmiot poddawany obróbce za pomocą urządzenia mocującego. Niezabezpieczone przedmioty poddawane obróbce mogą spowodować ciężkie obrażenia ciała i uszkodzenia.

Nie używać pękniętych lub zniekształconych brzeszczotów!

Wykonywanie cięć głębokich bez uprzedniego nawiercenia otworu możliwe jest tylko w materiałach miękkich (drewno, lekkie materiały budowlane na ściany). W twardszych materiałach (metalach) należy najpierw wywiercić otwór odpowiadający rozmiarowi brzeszczotu.

Przed przystąpieniem do jakichkolwiek prac na elektronarzędziu należy wyjąć wkładkę akumulatorową.

Zużytych akumulatorów nie wolno wrzucać do ognia ani traktować jako odpadów domowych. Milwaukee oferuje ekologiczną utylizację zużytych akumulatorów.

Nie przechowywać akumulatorów wraz z przedmiotami metalowymi (niebezpieczeństwo zwarcia).

Do ładowarki nie wolno wkładać żadnych przedmiotów metalowych (niebezpieczeństwo zwarcia).

Akumulatory Systemu C18 należy ładować wyłącznie przy pomocy ładowarek Systemu C18. Nie ładować przy pomocy tych ładowarek akumulatorów innych systemów.

Nie otwierać wkładek akumulatorowych i ładowarek. Przechowywać w suchych pomieszczeniach. Chronić przed wilgocią.

W skrajnych warunkach temperaturowych lub przy bardzo dużym obciążeniu może dochodzić do wycieku kwasu akumulatorowego z uszkodzonych baterii akumulatorowych. W przypadku kontaktu z kwasem akumulatorowym należy natychmiast przemyć miejsce kontaktu wodą z mydłem. W przypadku kontaktu z oczami należy

dokładnie przepłukać oczy przynajmniej przez 10 minut i zwrócić się natychmiast o pomoc medyczną.

DEKLARACJA ZGODNOŚCI CE

Oświadczamy na naszą wyłączną odpowiedzialność, że produkt opisany w punkcie "Dane techniczne" jest zgodny ze wszystkimi istotnymi przepisami Dyrektywy 2011/65/EU (RoHS), 2014/30/UE, 2006/42/WE oraz z następującymi zharmonizowanymi dokumentami normatywnymi:

EN 60745-1:2009 + A11:2010

EN 60745-2-11:2010

EN 55014-1:2006 + A1:2009 + A2:2011

EN 55014-2:1997 + A1:2001 + A2:2008

EN 50581:2012

Winnenden, 2016-03-29

Alexander Krug
Managing Director

Upelnomocniony do zestawienia danych technicznych

Teichronic Industries GmbH

Max-Eyth-Straße 10

71364 Winnenden

Germany

WARUNKI UŻYTKOWANIA

Przenośna piła ręczna z napędem elektrycznym do cięcia drewna, tworzyw sztucznych i metalu. Możliwość cięcia po linii krzywej i obcinania równo z powierzchnią.

Produkt można użytkować wyłącznie zgodnie z jego normalnym przeznaczeniem.

BATERIE AKUMULATOROWE

Akumulatory, które nie były przez dłuższy czas użytkowane, należy przed użyciem naładować.

W temperaturze powyżej 50°C następuje spadek osiągniętych wkładki akumulatorowej. Unikaj długotrwałego wystawienia na oddziaływanie ciepła lub promieni słonecznych (niebezpieczeństwo przegrzania).

Styki ładowarek i wkładek akumulatorowych należy utrzymywać w czystości

W celu zagwarantowania optymalnej żywotności należy po zakończonej eksploatacji naładować akumulatory do pełna.

Dla zapewnienia możliwie długiej żywotności akumulatory należy wyjąć z ładowarki po ich naładowaniu.

W przypadku składowania akumulatorów dłużej aniżeli 30 dni:

Przechowywać je w suchym miejscu w temperaturze ok. 27°C.

Przechowywać je w stanie naładowanym do ok. 30% - 50%.

Ładować je ponownie co 6 miesięcy.

Dla zapewnienia możliwie długiej żywotności akumulatory należy wyjąć z ładowarki po ich naładowaniu.

W przypadku składowania akumulatorów dłużej aniżeli 30 dni:

Przechowywać je w suchym miejscu w temperaturze ok. 27°C.

Przechowywać je w stanie naładowanym do ok. 30% - 50%.

Ładować je ponownie co 6 miesięcy.

ZABEZPIECZENIE PRZECIĄŻENIOWE AKUMULATORA

Przy przeciążeniu akumulatora bardzo dużym prądem na przykład wskutek ekstremalnie dużych momentów obrotowych, zakleszczenia, nagłego zatrzymania się lub zwarcia narzędzie elektryczne 'buczy' przez 2 sekundy i samoczynnie wyłącza się. W celu ponownego włączenia należy zwolnić, a następnie ponownie włączyć przycisk wyłącznika.

Pod ekstremalnymi obciążeniami może dojść do silnego nagrzania się akumulatora. W takim wypadku akumulator wyłącza się.

TRANSPORT AKUMULATORÓW LITOWO-JONOWYCH

Akumulatory litowo-jonowe podlegają ustawowym przepisom dotyczącym transportu towarów niebezpiecznych.

Transport tych akumulatorów winien odbywać się przy przestrzeganiu lokalnych, krajowych i międzynarodowych rozporządzeń i przepisów.

- Odbiorcom nie wolno transportować tych akumulatorów po drogach o tak po prostu.
- Komercyjny transport akumulatorów litowo-jonowych przez przedsiębiorstwa spedycyjne podlega przepisom dotyczącym transportu towarów niebezpiecznych. Przygotowania do wysyłki oraz transport mogą być wykonywane wyłącznie przez odpowiednio przeszkolone osoby. Cały proces winien odbywać się pod fachowym nadzorem.

W czasie transportu akumulatorów należy przestrzegać następujących punktów:

- Celem uniknięcia zwarcia należy upewnić się, że zestyki są zabezpieczone i zaizolowane.
- Zwracać uwagę na to, aby zespół akumulatorów nie mógł się przemieszczać we wnętrzu opakowania.
- Nie wolno transportować akumulatorów uszkodzonych lub z wyciekającym z elektrolitem.

Odnosnie dalszych wskazówek należy zwrócić się do swojego przedsiębiorstwa spedycyjnego.

UTRZYMANIE I KONSERWACJA

Otwory wentylacyjne elektronarzędzia muszą być zawsze drożne.

Używać tylko i wyłącznie wyposażenia dodatkowego Milwaukee i części zamiennych Milwaukee. Gdyby trzeba było wymienić części, które nie zostały opisane, należy skontaktować się z przedstawicielem serwisu Milwaukee (patrz wykaz adresów punktów usługowych/ gwarancyjnych).

W razie potrzeby można zamówić rysunek urządzenia w rozłożeniu na części podając typ maszyny oraz sześciopozycyjny numer na tabliczce znamionowej w Punkcie Obsługi Klienta lub bezpośrednio w firmie Teichronic Industries GmbH, Max-Eyth-Straße 10, 71364 Winnenden, Germany.

SYMBOLS**UWAGA! OSTRZEŻENIE NIEBEZPIECZEŃSTWO!**

Przed przystąpieniem do jakichkolwiek prac na elektronarzędziu należy wyjąć wkładkę akumulatorową.



Przed uruchomieniem elektronarzędzia zapoznać się uważnie z treścią instrukcji.



Wyposażenie dodatkowe dostępne osobno.



Urządzenia elektryczne nie mogą być usuwane razem z odpadami pochodzącymi z gospodarstw domowych.



Urządzenia elektryczne i elektroniczne należy gromadzić oddzielnie i w celu usuwania ich do odpadów zgodnie z wymaganiami środowiska naturalnego oddawać do przedsiębiorstwa utylizacyjnego.

Proszę zasięgnąć informacji o centrach recyklingowych i punktach zbiorczych u władz lokalnych lub u wyspecjalizowanego dostawcy.



Znak CE



Znak zgodności EurAsian

MŰSZAKI ADATOK	AKKUMULÁTOROS SZABLYAFŰRÉS Z	C18HZ
Gyártási szám.....	4526 65 02...	
.....	4467 30 02...	
.....	4313 78 02...	
.....	...000001-999999	
Akkumulátor feszültség	18 V	
Üresjáratú löketség.....	0-3000 min ⁻¹	
Lökethossz	20 mm	
Súly a 01/2003 EPTA-eljárás szerint. (1,5 Ah)	2,2 kg	
Súly a 01/2003 EPTA-eljárás szerint. (3,0 Ah)	2,5 kg	

Zajinformáció, Vibráció-információk

A közölt értékek megfelelnek az EN 60 745 szabványnak.

Szabvány szerinti A-értékelésű hangszint:

Hangnyomás szint (K bizonytalanság=3dB(A)).....81 dB (A)

Hangteljesítmény szint (K bizonytalanság=3dB(A)).....92 dB (A)

Hallásvédő eszköz használata ajánlott!

Összesített rezgésértékek (három irány vektorialis összege) az EN 60745-nek megfelelően meghatározva.

Fa fűrészelése
a, rezgésemisszió érték.....7,2 m/s²
K bizonytalanság =1,5 m/s²

FIGYELMEZTETÉS

A jelen utasításokban megadott rezgésszint értéke az EN 60745-ben szabályozott mérési eljárásnak megfelelően került leírásra, és használható elektromos számmakkal történő összehasonlításhoz. Az érték alkalmas a rezgésterhelés előzetes megbecsülésére is.

A megadott rezgésszint-érték az elektromos számszám legfőbb alkalmazásait reprezentálja. Ha az elektromos számszámot azonban más alkalmazásokhoz, eltérő használt számszámokkal vagy nem elegendő karbantartással használják, a rezgésszint értéke eltérő lehet. Ez jelentősen megnövelheti a rezgésterhelést a munkavégzés teljes időtartama alatt.

A rezgésterhelés pontos megbecsüléséhez azokat az időket is figyelembe kell venni, melyekben a készülék lekapcsolódik, vagy ugyan működik, azonban ténylegesen nincs használatban. Ez jelentősen csökkentheti a rezgésterhelést a munkavégzés teljes időtartama alatt.

Határozzon meg további biztonsági intézkedéseket a kezelő védelmére a rezgések hatása ellen, például: az elektromos és a használt számszámok karbantartásával, a kezek melegen tartásával, a munkafolyamatok megszervezésével.

▲ FIGYELMEZTETÉS! Olvasson el minden biztonsági útmutatót és utasítást. A következőkben leírt előírások betartásának elmulasztása áramütésekhez, tűzhöz és/vagy súlyos testi sérülésekhez vezethet. **Kérjük a későbbi használatra gondosan őrizze meg ezeket az előírásokat.**

▲ ORRFŰRÉSZEKRE VONATKOZÓ BIZTONSÁGI ÚTMUTATÁSOK

Viseljen hallásvédőt. A zajhatás a hallás elvesztését eredményezheti.

A készüléket a szigetelt markolatfelületeket fogva tartsa, ha olyan munkálatokat végez, melyeknél a vágószerszám rejtett elektromos vezetékbe. Ha a berendezés egy feszültség alatt álló vezetékhez ér, a berendezés fémrészei szintén feszültség alá kerülhetnek és áramütéshez vezethetnek.

TOVÁBBI BIZTONSÁGI ÉS MUNKAVÉDEZÉSI UTASÍTÁSOK

Használjon védőfelszerelést! Ha a gépen dolgozik, mindig hordjon védőszemüveget! Javasoljuk a védőruházat, úgymint porvédő maszk, védőcipő, erős és csúszásbiztos lábbeli, sisak és hallásvédő használatát.

A munka során keletkező por gyakran egészségre káros, ezért ne kerüljön a szervezetbe
Hordjon e célra alkalmas porvédőmaszkot.

Nem szabad olyan anyagokat megmunkálni, amelyek egészségre veszélyesek (pl. azbesztet).

A betétszerszám elakadásakor azonnal ki kell kapcsolni a készüléket! Addig ne kapcsolja vissza a készüléket, amíg a betétszerszám elakadása fennáll; ennek során nagy ellennyomatékú visszarúgás történhet. Határozza és szüntesse meg a betétszerszám elakadásának okát a biztonsági útmutatások betartása mellett.

Ennek következők lehetnek az okai:

- a számszám elakad a megmunkálandó munkadarabban
- a megmunkálandó anyag átszakadt

- az elektromos számszám túlterhelése

Ne nyúljon a járó géphe.

A betétszerszám az alkalmazás során felforrósodhat.

FIGYELMEZTETÉS! Égési sérülések veszélye

- számszámcserekor
- a készülék lerakásakor

A munka közben keletkezett forgácsokat, szilánkokat, törmelékét, stb. csak a készülék teljes leállása után szabad a munkaterületről eltávolítani.

Falban, földben, aljzatban történő fúrásnál fokozottan ügyelni kell az elektromos-, víz- és gázvezetésekre.

Biztosítsa a munkadarabot befogó szerkezettel. A nem biztosított munkadarabok súlyos sérüléseket és károkat okozhatnak.

Tilos repedt vagy deformált fűrészlapot használni!

Ún. süllyesztő vágás készítése csak puha anyagba (pl. fa, könnyű falazóanyagok). Kemény anyag esetében (fémek) egy, a fűrészlap méretének megfelelő furatot kell készíteni.

Karbantartás, javítás, tisztítás, stb. előtt az akkumulátort ki kell venni a készülékből.

A használt akkumulátort ne dobja tűzbe vagy a háztartási szemétkébe. Tájékozódjon a szakszerű megsemmisítés helyi lehetőségeiről.

Az akkumulátort ne tárolja együtt fém tárgyakkal. (Rövidzárlat veszélye).

Ügyeljen arra, hogy a töltő aknájába ne kerüljön semmilyen fém tárgy, mert ez rövidzárlatot okozhat.

Az "C18" elnevezésű rendszerhez tartozó akkumulátorokat kizárólag a rendszerhez tartozó töltővel töltsen fel. Ne használjon más rendszerbe tartozó töltőt.

Az akkumulátort, töltőt nem szabad megbontani és kizárólag száraz helyen szabad tárolni. Nedvességtől óvni kell.

Akkumulátor sav folyhat a sérült akkumulátorból extrém terhelés alatt, vagy extrém hő miatt. Ha az akkumulátor sav a bőrére kerül azonnal mossa meg szappanos vízzel. Szembe

kerülés esetén folyóvíz alatt tartsa a szemét minimum 10 percig és azonnal forduljon orvoshoz.

CE-AZONOSSÁGI NYILATKOZAT

Egyedüli felelősséggel kijelentjük, hogy a "Műszaki Adatok" alatt leírt termék a 2011/65/EU (RoHS), 2014/30/EU, 2006/42/EK irányelvek minden releváns előírásának, ill. az alábbi harmonizált normatív dokumentumoknak megfelel:

EN 60745-1:2009 + A11:2010
EN 60745-2-11:2010
EN 55014-1:2006 + A1:2009 + A2:2011
EN 55014-2:1997 + A1:2001 + A2:2008
EN 50581:2012

Winnenden, 2016-03-29



Alexander Krug
Managing Director



Műszaki dokumentáció összeállításra felhatalmazva
Techtronic Industries GmbH
Max-Eyth-Straße 10
71364 Winnenden
Germany

RENDELTETÉSSZERŰ HASZNÁLAT

Az orrfűrész fa, műanyag és fém fűrészeléséhez használható. Egyenes, kanyar és belső kivágások készítésére alkalmas. A fűrészszel csöveket lehet elvágni, illetve a felületük darabolást lehet végezni.

A készüléket kizárólag az alábbiakban leírtaknak megfelelően szabad használni.

AKKUK

A hosszabb ideig üzemben kívül lévő akkumulátort használat előtt ismételtelen fel kell tölteni.

50°C feletti hőmérsékletnél csökkenhet az akkumulátor teljesítménye. Kerülni kell a túlzottan meleg helyen vagy napon történő hosszabb idejű tárolást.

A töltő és az akkumulátor csatlakozóit mindig tisztán kell tartani.

Az optimális élettartam érdekében használat után az akkukat teljesen fel kell tölteni.

A lehetőleg hosszú élettartamhoz az akkukat feltöltés után ki kell venni a töltőkészülékből.

Az akku 30 napot meghaladó tárolása esetén:

Az akkut kb. 27 °C-on, száraz helyen kell tárolni.

Az akkut kb. 30-50%-os töltöttségű állapotban kell tárolni.

Az akkut 6 havonta újra kell tölteni.

AZ AKKUMULÁTOR TÚLTERHELÉS ELLENI VÉDELME

Az akku túl magas áramfogyasztás miatti, pl. túl nagy forgatónyomatékok, megszorulása, hirtelen leállás következtében fellépő túlterhelése esetén az elektromos számszám 2 másodpercig zűg, és önműködően lekapcsol. Az újbóli bekapcsoláshoz el kell engedni a kapcsolóbillentyűt, majd ismét be kell kapcsolni.

Extrém mértékű terhelés esetén az akku erősen felforrósodhat. Ebben az esetben az akku lekapcsol.

LÍTIUM-ION AKKUK SZÁLLÍTÁSA

A lítium-ion akkuk a veszélyes áruk szállítására vonatkozó törvényi rendelkezések hatálya alá tartoznak.

Az ilyen akkuk szállításának a helyi, országos és nemzetközi előírások és rendelkezések betartása mellett kell történnie.

- A fogyasztók minden további nélkül szállíthatják az ilyen akkukat közvetlenül.
- A lítium-ion akkuk szállítványozási vállalatok általi kereskedelmi célú szállítására a veszélyes áruk szállítására vonatkozó rendelkezések érvényesek. A kiszállítás előkészítését és a szállítást kizárólag megfelelő képzettségű

személyek végezhetik. A teljes folyamatnak szakmai felügyelet alatt kell történnie.

A következő pontokat kell figyelembe venni akkuk szállításakor:

- Biztosítsa, hogy a rövidzárlatok elkerülése érdekében az érintkezők védve és szigetelve legyenek.
- Ügyeljen arra, hogy az akkucsomag ne tudjon elcsúszni a csomagoláson belül.
- Tilos sérült vagy kifolyt akkukat szállítani.

További útmutatásokért forduljon szállítványozási vállalatához.

KARBANTARTÁS

A készülék szellőzőnyílásait mindig tisztán kell tartani.

Csak Milwaukee tartozékokat és Milwaukee pótalkatrészeket szabad használni. Az olyan elemeket, melyek cseréje nincs ismertetve, cseréltesse ki Milwaukee szervizzel (lásd Garancia/Ügyfélszolgálat címei kiadványt).

Igény esetén a készülékről robbantott rajz kérhető a géptípus és a teljesítménycímeként található hatjegyű szám megadásával az Ön vevőszolgálatánál, vagy közvetlenül a Techtronic Industries GmbH-től a Max-Eyth-Straße 10, 71364 Winnenden, Németország címen.

SZIMBÓLUMOK



FIGYELEM! FIGYELMEZTETÉS! VESZÉLY!



Karbantartás, javítás, tisztítás, stb. előtt az akkumulátort ki kell venni a készülékből.



Kérjük alaposan olvassa el a tájékoztatót mielőtt a gépet használja.



Azokat a tartozékokat, amelyek gyárilag nincsenek a készülékhez mellékelve, külön lehet megrendelni.



Az elektromos eszközöket nem szabad a háztartási hulladékkal együtt ártalmatlanítani. Az elektromos és elektronikus eszközöket szelektíven kell gyűjteni, és azokat környezetbarát ártalmatlanítás céljából hulladékhasznosító üzemben kell leadni. A helyi hatóságoknál vagy szakkereskedőjénél tájékozódjon a hulladékudvarokról és gyűjtőhelyekről.



CE-jelölés



Eurázsiai megfelelőségi jelzés.

TEHNIČNI PODATKI BATERIJSKE ŽAGE LISIČJI REP C18HZ

Proizvodna številka.....	4526 65 02...
.....	4467 30 02...
.....	4313 78 02...
.....	...00001-999999
Napetost izmenljivega akumulatorja.....	18 V
Število dvigov v prostem teku.....	0-3000 min ⁻¹
Višina dviga.....	20 mm
Teža po EPTA-proceduri 01/2003 (1,5 Ah).....	2,2 kg
Teža po EPTA-proceduri 01/2003 (3,0 Ah).....	2,5 kg

Informacije o hrupnosti / vibracijah

Vrednosti merjenja ugotovljene ustrežno z EN 60 745.

A ocenjeni nivo zvočnega tlaka znaša tipično

Nivo zvočnega tlaka (Nevarnost K=3dB(A)).....81 dB (A)

Višina zvočnega tlaka (Nevarnost K=3dB(A)).....92 dB (A)

Nosite zaščito za sluh!

Skupna vibracijska vrednost (Vektorska vsota treh smeri) določena ustrežno EN 60745.

Žaganje lesa

Vibracijska vrednost emisij a_h.....7,2 m/s²

Nevarnost K=.....1,5 m/s²

OPOZORILO

V teh navodilih navedena raven treslajev je bila izmerjena po EN60745 normiranem merilnem postopku in lahko služi medsebojni primerjavi električnih orodij. Prav tako je primeren za predhodno oceno obremenitve s treslaji.

Navedena raven treslajev navaja najpomembnejše vrste rabe električnega orodja. Kadar se električno orodje uporablja za drugačne namene, z odstopajočimi orodji ali pa z nezadostnim vzdrževanjem, lahko raven treslajev tudi odstopa. Le to lahko čez celoten delovni čas znatno zviša obremenitev s tresenjem.

Za natančno oceno obremenitve s treslaji naj bi se upošteval tudi čas v katerem je naprava izklopljena ali sicer teče, vendar dejansko ni v rabi. Le to lahko obremenitev s treslaji čez celoten delovni čas znatno zmanjša.

Za zaščito upravljalca pred učinkom treslajev uvedite dodatne zaščitne ukrepe npr.: Vzdrževanje električnega orodja in orodja, delo s toplimi rokami, organizacija delovnih potekov.

⚠ OPOZORILO! Preberite vsa varnostna opozorila in navodila.

Napake zaradi neupoštevanja spodaj navedenih opozoril in napotil lahko povzročijo električni udar, požar in/ali težke telesne poškodbe.

Vsa opozorila in napotila shranite, ker jih boste v prihodnje še potrebovali.

⚠ VARNOSTNA OPOZORILO ZA SABLJASTE ŽAGE

Nosite zaščito za sluh. Razvijanje hrupa lahko povzroči izgubo sluha.

Kadar izvajate dela pri katerih lahko orodje zadane prikrito električno napeljavo, je napravo potrebno držati za izolirane prijemalne površine.

Stik z električnim vodnikom, ki je pod napetostjo, povzroči napetost tudi v kovinskih delih naprave, kar ima za posledico električni udar.

NADALJNA VARNOSTNA IN DELOVNA OPOZORILO

Uporabite zaščitno opremo. Pri delu s strojem vedno nosite zaščitna očala. Priporočajo se zaščitna oblačila, kot npr. maska za zaščito proti prahu, zaščitne rokavice, trdno in ne drseče obuvalo, čelada in zaščita za sluh.

Prah, ki nastaja pri delu, je pogosto zdravju škodljiv in naj ne zaide v telo. Nosite ustrezno masko proti prahu.

Obdelava materialov, iz katerih izhaja ogroženost zdravja (npr. azbest), ni dovoljena.

V primeru blokade orodja napravu takoj izklopite! Naprave ponovno ne vklaplajte dokler je orodje blokirano; pri tem bi lahko prišlo do povratnega udara z velikim reakcijskim momentom. Ugotovite in odpravite vzroke blokade orodja ob upoštevanju varnostnih navodil.

Možni razlogi so lahko:

- Zagozditev v obdelovancu
- prežganje obdelovanega materiala
- Preobremenitev električnega orodja

Ne segajte v stroj v teku.

Orodje lahko med uporabo postane vroče.

OPOZORILO! Nevarnost opeklin

- pri menjavi orodja

- pri odlaganju naprave

Trske ali iveri se pri tekočem stroju ne smejo odstranjevati.

Pri delih na steni, stropu ali v tleh pazite na električne kable, plinske in vodne napeljave.

Obdelovanec zavarujte z vpenjalno pripravo. Nezavarovani obdelovanci lahko povzročijo težke poškodbe in okvare.

Napokani listi žage in taki, ki so spremenili svojo obliko, se ne smejo uporabljati!

Potopno žaganje je možno samo v mehkih materialih (les, lahki gradbeni material za stene), pri trših materialih (kovine) se mora pripraviti vrtna, ki odgovarja listu žage.

Pred vsemi deli na stroji odstranite izmenljivi akumulator.

Izrabljenih izmenljivih akumulatorjev ne mečite v ogenj ali v gospodinjске odpadke. Milwaukee nudi okolju prijazno odlaganje starih izmenljivih akumulatorjev; prosimo povprašajte vašega strokovnega trgovca.

Izmenljivih akumulatorjev ne hranite skupaj s kovinskimi predmeti (nevarnost kratkega stika).

V odprtino za nameščanje izmenljivih akumulatorjev na polnilnih aparatih ne smejo zaiti nikakršni kovinski deli (nevarnost kratkega stika).

Izmenljive akumulatorje sistema C18 polnite samo s polnilnimi aparati sistema C18. Ne polnite nobenih akumulatorjev iz drugih sistemov.

Izmenljivih akumulatorjev in polnilnih aparatov ne odpirajte in jih hranite samo v suhih prostorih. Zaščitite jih pred mokroto.

Pod ekstremno obremenitvijo ali ob ekstremni temperaturi iz poškodovanega izmenljivega akumulatorja lahko izteka akumulatorska tekočina. Po stiku z akumulatorsko tekočino prizadeto mesto takoj izperite z vodo in milom. Po stiku z očmi takoj najmanj 10 minut dolgo temeljito izpirajte in nemudoma obiščite zdravnika.

CE-IZJAVA O KONFORMNOSTI

V lastni odgovornosti izjavljamo, da se pod "Tehnični podatki" opisan proizvod ujema z vsemi relevantnimi predpisi smernice 2011/65/EU (RoHS), 2014/30/EU, 2006/42/ES in s sledečimi harmoniziranimi normativnimi dokumenti:

EN 60745-1:2009 + A11:2010

EN 60745-2-11:2010

EN 55014-1:2006 + A1:2009 + A2:2011

EN 55014-2:1997 + A1:2001 + A2:2008

EN 50581:2012

Winnenden, 2016-03-29

Alexander Krug
Managing Director



Pooblaščen za izdelavo spisov tehnične dokumentacije.

Techtronic Industries GmbH

Max-Eyth-Straße 10

71364 Winnenden

Germany

UPORABA V SKLADU Z NAMEDBNOSTJO

Sabljava žaga žaga les, umetno maso in kovino. Reže naravnost, zajere in notranje izreze. Žaga cevi in ločuje s ploskim robom.

Ta naprava se sme uporabiti samo v skladu z namedbnostjo uporabiti samo za navede namene.

AKUMULATORJI

Izmenljive akumulatorje, ki jih daljši čas niste uporabljali, pred uporabo naknadno napolnite.

Temperatura nad 50°C zmanjšuje zmogljivost izmenljivega akumulatorja. Izogibajte se daljšemu segrevanju zaradi sončnih žarkov ali gretja.

Pazite, da ostanejo priključni kontakti na polnilnem aparatu in izmenljivem akumulatorju čisti.

Za optimalno življenjsko dobo je akumulatorje potrebno po uporabi napolniti do konca.

Za čim daljšo življenjsko dobo naj se akumulatorji po napolnitvi vzamejo ven iz naprave za polnjenje.

Pri skladiščenju akumulatorjev daj kot 30 dni:

Akumulator skladiščiti pri 27°C in na suhem.

Akumulator skladiščiti pri 30%-50% stanja polnjenja.

Akumulator spet napolniti vsakih 6 mesecev.

ZAŠČITA PREOBREMENITVE AKUMULATORJA

V primeru preobremenitve akumulatorjev zaradi zelo visoke porabe toka, npr. ekstremno visokih vrtilnih momentov, zatika, nenadne zaustavitve ali kratkega stika, električno orodje 2 sekundi brni in se samodejno izklopi.

Za ponoven vklop izpustite tipko stikala in nato znova vklopite. Pod ekstremnimi obremenitvami se lahko akumulator močno segreje. V tem primeru se akumulator izklopi.

TRANSPORT LITIJ-IONIJSKIH AKUMULATORJEV

Litij-ionski akumulatorji so podvrženi zakonskim določbam transporta nevarnih snovi.

Transport teh akumulatorjev se mora izvajati upoštevaajoč lokalne, nacionalne in mednarodne predpise in določbe.

- Potrošniki lahko te akumulatorje še nadalje transportirajo po cesti.
- Komercialni transport litij-ionskih akumulatorjev s strani špediterskih podjetij je podvržen določbam transporta nevarnih snovi. Priprava odpreme in transporta se lahko vrši izključno s strani ustrezno izšolanih oseb. Celoten proces je potrebno strokovno spremljati.

Pri transportu akumulatorjev je potrebno upoštevati sledeče točke:

- V izogib kratkim stikom zagotovite, da bodo kontakti zaščiteni in izolirani.

- Bodite pozorni na to, da paket akumulatorja v notranjosti embalaže ne bo mogel zdrsniti.
- Poškodovanih ali iztekajočih akumulatorjev ni dovoljeno transportirati.

Za nadaljnja navodila se obrnite na vaše špeditersko podjetje.

VZDRŽEVANJE

Pazite na to, da so prezračevalne reže stroja vedno čiste.

Uporabljajte samo Milwaukee pribor in Milwaukee nadomestne dele. Poskrbite, da sestavne dele, katerih zamenjava ni opisana, zamenjajo v Milwaukee servisni službi (upoštevajte brošuro Garancija/Naslovi servisnih služb).

Po potrebi je mogoče pri vašem servisnem mestu ali neposredno pri Techtronic Industries GmbH, Max-Eyth-Straße 10, 71364 Winnenden, Germany, naročiti eksplozijsko risbo naprave ob navedbi tipa stroja in na tablici navedene šestmestne številke.

SYMBOLE



POZOR! OPOZORILO! NEVARNO!



Pred vsemi deli na stroji odstranite izmenljivi akumulator.



Prosimo, da pred uporabo pozorno preberete to navodilo za uporabo.



Oprema – ni vsebovana v obsegu dobave, priporočeno dopolnilo iz programa opreme.



Električnih naprav ni dovoljeno odstranjevati skupaj z gospodinjjskimi odpadki. Električne in elektronske naprave je potrebno zbirati ločeno in za okolju prijazno odstranitev, oddati podjetju za reciklažo. Pri krajevem uradu ali vašem strokovnem prodajalcu se pozanimajte glede reciklažnih dvorišč in zbirnih mest.



CE-znak

EurAsian oznaka o skladnosti.

TEHNIČKI PODACI SABLJASTA PILA SA AKUMULATOROM C18HZ

Broj proizvodnje.....	4526 65 02...
.....	4467 30 02...
.....	4313 78 02...
.....	...00001-999999
Napon baterije za zamjenu.....	18 V
Broj hodova praznog hoda.....	0-3000 min ⁻¹
Visina hoda.....	20 mm
Težina po EPTA-proceduri 01/2003 (1,5 Ah).....	2,2 kg
Težina po EPTA-proceduri 01/2003 (3,0 Ah).....	2,5 kg

Informacije o buci / vibracijama

Mjerne vrijednosti utvrđene odgovarajuće EN 60 745.

A-procjenjeni nivo pritiska zvuka aparata iznosi tipično

Nivo pritiska zvuka (Nesigurnost K=3dB(A)).....81 dB (A)

Nivo učinka zvuka (Nesigurnost K=3dB(A)).....92 dB (A)

Nositi zaštitu sluha!

Ukupne vrijednosti vibracije (Vektor suma tri smjera) su odmjerene odgovarajuće EN 60745

Rezanje drvna pilom

Vrijednost emisije vibracije a_h.....7,2 m/s²Nesigurnost K=.....1,5 m/s²**UPOZORENJE**

Ova u ovim uputama navedena razina titranja je bila izmjerena odgovarajuće jednom u EN 60745 normiranom mjernom postupku i može se upotrijebiti za usporedbu električnog alata međusobno. Ona je prikladna i za privremenu procjenu titrajnog opterećenja.

Navedena razina titranja reprezentira glavne primjene električnog alata. Ukoliko se električni alat upotrebljava u druge svrhe sa odstupajućim primijenjenim alatima ili nedovoljnim održavanjem, onda razina titranja može odstupati. To može titrajno opterećenje kroz cijeli period rada bitno povisiti.

Za točnu procjenu titrajnog opterećenja se moraju uzeti u obzir i vremena u kojima je uređaj isključen ili u kojima doduše radi, ali nije i stvarno u upotrebi. To može titrajno opterećenje bitno smanjiti za vrijeme cijelog radnog perioda.

Utvrđite dodatne sigurnosne mjere za zaštitu poslužioca protiv djelovanja titranja kao npr.: Održavanje električnih alata i upotrebljenih alata, održavanje topline ruku, organizacija i radne postupke.

⚠ UPOZORENJE! Pročitajte molimo sve sigurnosna upozorenja i upute. Ako se ne bi poštivale napomene o sigurnosti i upute to bi moglo uzrokovati strujni udar, požar i/ili teške ozljede.

Sačuvajte sve napomene o sigurnosti i upute za buduću primjenu.

⚠ SIGURNOSNE UPUTE ZA SABLJASTE PILE

Nosite zaštitu za sluh. Djelovanje buke može dovesti do gubitka sluha.

Držite spravu na izoliranim držačkim površinama kada izvodite radove kod kojih rezački alat može pogoditi skrivene vodove struje. Kontaktom s vodovima pod naponom, pod napon će se staviti i metalni dijelovi uređaja, što može dovesti do električnog udara.

OSTALE SIGURNOSNE I RADNE UPUTE

Upotrebljavati zaštitnu opremu. Kod radova sa strojem uvijek nositi zaštitne naočale. Preporučuje se zaštitna odjeća, kao zaštitna maska protiv prašine, zaštitne rukavice, čvrste i protiv klizanja sigurne cipele, šljem i zaštitu sluha.

Prašina koja nastaje prilikom rada je često nezdrava i ne bi smijela dospjeti u tijelo. Nositi prikladnu zaštitnu masku protiv prašine.

Ne smiju se obrađivati nikakvni materijali, od kojih prijeto opasnost po zdravlje (npr. azbest).

Kod blokiranja alata koji se upotrebljava uređaj molimo odmah isključiti! Uređaj nemojte ponovno uključiti za vrijeme dok je alat koji se upotrebljava blokiran; time može doći do povratnog udara sa visokim reakcijskim momentom. Pronađite i otklonite uzrok blokiranja alata koji se upotrebljava uz poštivanje sigurnosnih uputa.

Mogući uzroci tome mogu biti:

- Izobličavanje u izratku koji se obrađuje
- Probijanje materijala koji se obrađuje
- Preopterećenje električnog alata

Nemojte sezati u stroj koji radi.

CE-IZJAVA KONFORMNOSTI

Izjavljujemo na osobnu odgovornost, da je proizvod opisan pod "Tehnički podaci", sukladan sa svim relevantnim propisima smjernice 2011/65/EU (RoHS), 2014/30/EU, 2006/42/EC i sa slijedećim harmoniziranim normativnim dokumentima:

EN 60745-1:2009 + A11:2010

EN 60745-2-11:2010

EN 55014-1:2006 + A1:2009 + A2:2011

EN 55014-2:1997 + A1:2001 + A2:2008

EN 50581:2012

Winnenden, 2016-03-29


Alexander Krug
Managing Director

Ovlašten za formiranje tehničke dokumentacije.

Techronic Industries GmbH

Max-Eyth-Straße 10

71364 Winnenden

Germany

PROPIISNA UPOTREBA

Sabljasta pila pili drvo, plastiku i metal. Ona reže ravnine, krivine i unutrašnje isječke. Ona reže cijevi i odvaja površinski zbijeno.

Ovaj aparat se smije upotrijebiti samo u određene svrhe kao što je navedeno.

BATERIJE

Baterije koje duže vremena nisu korištene, prije upotrebe napuniti.

Temperatura od preko 50°C smanjuje učinak baterija. Duže zagrijavanje od strane sunca ili grijanja izbjeci.

Priključne kontakte na uređaju za punjenje i baterijama držati čistima.

Za optimalni vijek trajanja se akumulatori poslije upotrebe moraju sasvim napuniti.

Za što moguće duži vijek trajanja, akumulatori se nakon punjenja moraju odstraniti iz punjača.

Kod skladištenja akumulatora duže od 30 dana:

Akumulator skladištiti na suhom kod ca. 27°C.

Akumulator skladištiti kod ca. 30%-50% stanja punjenja.

Akumulator ponovno napuniti svakih 6 mjeseci.

ZAŠTITA OD PREOPTEREĆENJA AKUMULATORA

Kod preopterećenja akumulatora kroz visoku potrošnju struje, npr. ekstremno visoki okretni momenti, zaglavljenje, naglo zaustavljanje ili kratki spoj, elektroalat bruji 2 sekunde dugo i isključuje se samostalno.

Za ponovno uključivanje ispuštiti otponac prekidača i zatim ponovno uključiti.

Pod ekstremnim opterećenjima se akumulator može jako zagrijati. U ovom slučaju se akumulator isključuje.

TRANSPORT LITIJSKIH IONSKIH BATERIJA

Litijske-ionske baterije spadaju pod zakonske odredbe u svezi transporta opasne robe.

Prijevoz ovih baterija mora uslijediti uz poštivanje lokalnih, nacionalnih i internacionalnih propisa i odredaba.

- Korisnici mogu bez ustručavanja ove baterije transportirati po cestama.
- Komercijalni transport litijsko-ionskih baterija od strane transportnih poduzeća spada pod odredbe o transportu opasne robe. Opremnike priprave i transport smiju izvoditi isključivo odgovarajuće školovane osobe. Kompletni proces se mora pratiti na stručan način.

Kod transporta baterija se moraju poštivati slijedeće točke:

- Uvjerite se da su kontakti zaštićeni i izolirani kako bi se izbjegli kratki spojevi.

- Pazite na to, da blok baterija unutar pakiranja ne može proklizavati.
- Oštećene ili iscurjele baterije se ne smiju transportirati.

U svezi ostalih uputa obratite se vašem prijevoznom poduzeću.

ODRŽAVANJE

Prereze za prozračivanje stroja uvijek držati čistima.

Primijeniti samo Milwaukee opremu i Milwaukee rezervne dijelove. Sastavne dijelove, čija zamjena nije opisana, dati zamijeniti kod jedne od Milwaukee servisnih službi (poštivati brošuru Garancija/Adrese servisa).

Po potrebi se crtež pojedinih dijelova aparata uz navođenje podatka o tipu stroja i šestznamenastog broja na pločici snage može zatražiti kod vašeg servisa ili direktno kod Techronic Industries GmbH, Max-Eyth-Straße 10, 71364 Winnenden, Njemačka.

SIMBOLI

PAŽNJA! UPOZORENIE! OPASNOST!



Prije svih radova na stroju izvaditi bateriju za zamjenu.



Molimo da pažljivo pročitate uputu o upotrebi prije puštanja u rad.



Oprema - u opsegu isporuke nije sadržana, preporučena dopuna iz programa opreme.



Električni uređaji se ne smiju zbrinjavati skupa sa kućnim smećem. Električni uređaji se moraju sklopiti odvojeno i predati na zbrinjavanje primjereno okolišu jednom od pogona za iskorišćavanje. Raspitajte se kod mjesnih vlasti ili kod stručnog trgovca u svezi gospodarstva za recikliranje i mjesta skupljanja.



Oznaka-CE

EurAsian znak konformnosti.

TEHNISKIE DATI/SĒKAMAĶOJU JUDĒSIO PĶUKLAS SU AKUMULIATORIUMI C18HZ

Izlaides numurs	4526 65 02...
.....	4467 30 02...
.....	4313 78 02...
.....	...00001-999999
Akumulātoru spriegums.....	18 V
Tukšgaitas gājienu skaits	0-3000 min ⁻¹
Gājienu augstums.....	20 mm
Svars atbilstoši EPTA -Procedure 01/2003 (1,5 Ah).....	2,2 kg
Svars atbilstoši EPTA -Procedure 01/2003 (3,0 Ah).....	2,5 kg

Trokšņu / Vibrāciju informācija

Vērtības, kas noteiktas saskaņā ar EN 60 745.

Instrumenta tipiskais pēc A vērtētais trokšņa spiediena līmenis parasti sastāda

Trokšņa spiediena līmenis (Nedrošība K=3dB(A)).....	81 dB (A)
Trokšņa jaudas līmenis (Nedrošība K=3dB(A)).....	92 dB (A)

Nēsāt trokšņa slāpētāju!

Svārstību kopējā vērtība (Trīs virzienu vektoru summa) tiek noteikta atbilstoši EN 60745.

Koka zāģis

svārstību emisijas vērtība a _n	7,2 m/s ²
Nedrošība K=	1,5 m/s ²

UZMANĪBU

Instrukcijā norādītā svārstību robežvērtība ir izmērīta mērījumu procesā, kas veikts atbilstoši standartam EN 60745, un to var izmantot elektroinstrumentu savstarpējai salīdzināšanai. Tā ir piemērota arī svārstību noslogojuma pagaidu izvērtēšanai.

Norādītā svārstību robežvērtība ir reprezentatīva elektroinstrumenta pamata pielietojuma jomām. Tomēr, ja elektroinstrumenti tiek pielietoti citās jomās, papildus izmantojot neatbilstošus elektroinstrumentus vai pēc nepiecieamas tehniskās apkopes, tad svārstību robežvērtība var atšķirties. Tas var ievērojami palielināt svārstību noslogojumu visa darba laikā.

Precīzai svārstību noslogojuma noteikšanai, ir jāņem vērā arī laiks, kad ierīces ir izslēgtas vai arī ir ieslēgtas, tomēr faktiski netiek lietota. Tas var ievērojami samazināt svārstību noslogojumu visa darba laikā.

Integrējiet papildus drošības pasākumus pret svārstību ietekmi lietotājam, piemēram: elektroinstrumentu un darba instrumentu tehniskā apkope, roku siltuma uzturēšana, darba procesu organizācija.

▲ BRĪDINĀJUMS! Izlasiet visus drošības brīdinājumus un instrukcijas. Šeit sniegto drošības noteikumu un norādījumu neievērošana var izraisīt aizdegšanos un būt par cēloni elektriskajam triecienam vai nopietnam savainojumam. **Pēc izlasīšanas uzglabājiet šos noteikumus turpmākai izmantošanai.**

▲ ZOBENZĀGA DROŠĪBAS NORĀDES

Nēsājiet ausu aizsargus. Trokšņa iedarbības rezultātā var rasties dzirdes traucējumi.

Lerīci turiet aiz izolētiem rokturiem, ja veicat darbus, kuros griešanas darbiem izmantojamais instruments var skart paslēptas elektrovadus. Asmenis saskaroties ar vadiem, kuriem tiek pievadīts fāzes spriegums, šis spriegums nonāk arī uz instrumenta korpusa strāvu vadošajām daļām un var izraisīt elektrisko triecienu.

CITAS DROŠĪBAS UN DARBA INSTRUKCIJAS

Jāizmanto aizsargaprīkojums. Strādājot ar mašīnu, vienmēr jānēsā aizsargbrilles. Ieteicams nēsāt aizsargapģērbu, kā piemēram, aizsargmasku, aizsargcimdus, kurpes no stingra un neslīdīga materiāla, ķiveri un ausu aizsargus.

Putekļi, kas rodas darba gaitā, bieži ir kaitīgi veselībai un tiem nevajadzētu nokļūt organismā. Jānēsā piemērota maska, kas pasargā no putekļiem.

Nedrīkst apstrādāt materiālus, kas rada draudus veselībai (piemēram, azbestu).

Ja izmantojamais darba rīks tiek blokēts, nekavējoties izslēgt ierīci! Neieslēdziet ierīci, kamēr izmantojamais darba rīks ir blokēts; var rasties atsitieni ar augstu griezes momentu.

Noskaidrojiet un novērsiet izmantojamā darba rīka blokēšanas iemeslu, ievērojot visas drošības norādes.

Iespējamie iemesli:

- iesprūdis apstrādājamajā materiālā
- apstrādājamais materiāls ir caursists
- elektroinstrumenti ir pārslogoti

I+AA2eslēgtai ierīcei nepieskarieties.

Izmantojamais darba rīks darba gaitā var stipri sakarst.

UZMANĪBU!

- veicot darba rīka nomaiņu
- noliekot iekārtu

Skaidas un atūlas nedrīkst ņemt ārā, kamēr mašina darbojas.

Veicot darbus sienu, griestu un grīdas apvidū, vajag uzmanīties, lai nesabojātu elektriskos, gāzes un ūdens vadus.

Fiksējiet apstrādājamo materiālu ar fiksācijas aprīkojumu. Nenostiprināti materiāli var izraisīt smagus savainojumus un bojājumus.

Saplaisājušas zāģu ripas un tādas, kas ir izmainījušas savu formu, nedrīkst izmantot.

Iegremdējamās zāģus drīkst izmantot tikai mīkstu materiālu apstrādei (koks, viegļie būvmateriāli sienām), cietākos materiālos iepriekš jāveic zāģa ripas izmēram atbilstošs urbums.

Pirms mašīnai veikt jebkāda veida apkopes darbus, ir jāizņem ārā akumulātors.

Izmantotos akumulātorus nedrīkst mest ugunī vai parastajos atkritumos. Firma Milwaukee piedāvā iespēju vecos akumulātorus savākt apkārtējo vidi saudzējošā veidā; jautājiet specializētā veikalā.

Akumulātorus nav ieteicams glabāt kopā ar metāla priekšmetiem (iespējams īsslēgums).

Jāuzmanās, lai akumulātoru lādētājā nenokļūtu nekādi metāla priekšmeti (iespējams īsslēgums).

C18 sistēmas akumulātorus lādēt tikai ar C18 sistēmas lādētājiem. Nedrīkst lādēt citus akumulātorus no citām sistēmām.

Akumulātorus un lādētājus nedrīkst taisīt vaļā un tie jāuzglabā sausās telpās.

Pie ārkārtas slodzes un ārkārtas temperatūrām no bojātā akumulātorā var izteciēt akumulātorā šķidrums. Ja nonākat saskarsmē ar akumulātorā šķidrumu, saskarsmes vieta nekavējoties jānomazgā ar ūdeni un ziepēm. Ja šķidrums nonācis acīs, acis vismaz 10 min. skalot un nekavējoties konsultēties ar ārstu.

ATBILSTĪBA CE NORMĀM

Mēs apliecinām, ka produkts, kura tehniskie parametri aprakstīti "tehnisko datu lapā", pilnībā atbilst prasībām saskaņā ar direktīvām 2011/65/EU (RoHS), 2014/30/ES, 2006/42/EK un attiecīgajiem harmonizētajiem normatīvajiem dokumentiem:

EN 60745-1:2009 + A11:2010

EN 60745-2-11:2010

EN 55014-1:2006 + A1:2009 + A2:2011

EN 55014-2:1997 + A1:2001 + A2:2008

EN 50581:2012

Winnenden, 2016-03-29



Alexander Krug
Managing Director



Pilnvarotais tehniskās dokumentācijas sastādītājs.

Techtron Industries GmbH

Max-Eyth-Straße 10

71364 Winnenden

Germany

NOTEIKUMIEM ATBILSTOŠS IZMANTOJUMS

Zobenzāģis zāģē koku, plastmasu un metālu. Ar to var veikt taisno zāģējumu, slīpo un kombinēto zāģēšanu. Ar to var zāģēt caurules, un tas zāģē līdz ar virsmu.

Šo instrumentu drīkst izmantot tikai saskaņā ar minētajiem lietošanas noteikumiem.

AKUMULĀTORI

Akumulātori, kas ilgāku laiku nav izmantoti, pirms lietošanas jāuzlādē.

Pie temperatūras, kas pārsniedz 50°C, akumulātoru darbība tiek negatīvi ietekmēta. Vajag izvairīties no ilgākas saules un karstuma iedarbības.

Lādētāja un akumulātoru pievienojuma kontakti jāuztur tīri.

Lai baterijām būtu optimāls mūžs, pēc lietošanas bateriju bloks pilnībā jāuzlādē.

Lai akumulātoru kalpotu pēc iespējas ilgāku laiku, tos pēc uzlādes ieteicams atvienot no lādētāj ierīces.

Akumulātoru uzglabāšana ilgāk kā 30 dienas: uzglabāt akumulātoru pie aptuveni 27° C un sausā vietā. Uzglabāt akumulātoru uzlādes stāvoklī aptuveni pie 30%-50%. Uzlādēt akumulātoru visus 6 mēnešus no jauna.

AKUMULĀTORA AIZSARDŽĪBA PRET PĀRSLOGOJUMU

Akumulātoru pārslogojuma gadījumos, esot ļoti lielam elektroenerģijas patēriņam, piem., ārkārtīgi augsts griezes moments, iekēršanās, pēkšņa apstāšanās vai īssavienojums, elektriskais darbarīks 2 sekundes rūc, un pats izslēdzas. Lai to atkal ieslēgtu, atļaidiet ieslēgšanas pogu un tad to ieslēdziet no jauna.

Esot ārkārtīgi augstam noslogojumam, akumulātorus var spēcīgi sakarst. Šādā gadījumā akumulātorus atslēdzas.

LITĪJA JONU AKUMULĀTORU TRANSPORTĒŠANA

Uz litija jonu akumulātoriem attiecas noteikumi par bīstamo kravu pārvadāšanu.

Šo akumulātoru transportēšana jāveic saskaņā ar vietējiem, valsts un starptautiskajiem normatīvajiem aktiem un noteikumiem.

- Patērētāja darbības, pārvadājot šos akumulātorus pa autoceļiem, nav reglamentētas.
- Uz litija jonu akumulātoru komerciālu transportēšanu, ko veic ekspedīcijas uzņēmums, attiecas bīstamo kravu pārvadāšanas noteikumi. Sagatavošanas darbus un transportēšanu drīkst veikt tikai atbilstoši apmācīts personāls. Viss process jāveic profesionāli.

Veicot akumulātoru transportēšanu, jāievēro:

- Pāriecināties, ka kontakti ir aizsargāti un izolēti, lai izvairītos no īssavienojumiem.

- Pāriecināties, ka akumulātoru iepakojumā nevar paslīdēt.
- Bojātus vai tekošus akumulātorus nedrīkst transportēt.

Plašāku informāciju Jūs varat saņemt no ekspedīcijas uzņēmuma.

APKOPE

Vajag vienmēr uzmanīties, lai būtu tīras dzesēšanas atveres.

Izmantojiet tikai firmu Milwaukee piederumus un firmas Milwaukee rezerves daļas. Lieciet nomainīt detaļas, kuru nomaiņa nav aprakstīta, kādā no firmu Milwaukee klientu apkalpošanas servisiem. (Skat. brošūru "Garantija/klientu apkalpošanas serviss".)

Pēc pieprasījuma, Jūsu Klientu apkalpošanas centrā vai pie Technotronic Industries GmbH, Max-Eyth-Straße 10, 71364 Winnenden, Vācijā, ir iespējams saņemt iekārtas montāžas rasējumu, iepriekš norādot iekārtas modeli un sērijas numuru, kas atrodas uz datu plāksnītes un sastāv no sešiem simboliem.

SIMBOLI



UZMANĪBU! BĪSTAMI!



Pirms mašīnai veikt jebkāda veida apkopes darbus, ir jāizņem ārā akumulātors.



Pirms sākt lietot instrumentu, lūdzu, izlasiet lietošanas pamācību.



Piederumi - standartaprīkojumā neietvertās, bet ieteicamās papildus komplektācijas detaļas no piederumu programmas.



Elektroiekārtas nedrīkst izmest kopā ar sadzīves atkritumiem. Elektriskās un elektroniskās iekārtas ir jāsavāc atsevišķi un jānodod pārstrādes uzņēmumam, kas no tām atbrīvosies dabai draudzīgā veidā. Meklējiet atbilstošās pārstrādes poligonos un savākšanas punktus vietējās pārvaldes iestādēs vai pie preces pārdevēja.



CE marķējums

EurAsian atbilstības marķējums.

TECHNINIAI DUOMENYS AKUMULATORA VIRZULŽAĖS C18HZ

Produkto numeris	4526 65 02...
.....	4467 30 02...
.....	4313 78 02...
.....	...00001-999999
keičiamo akumulatoriaus įtampa	18 V
judesių skaičius laisva eiga	0-3000 min ⁻¹
judesio aukštis	20 mm
Prietaiso svoris įvertintas pagal EPTA 2003/01 tyrimų metodiką (1,5 Ah).....	2,2 kg
Prietaiso svoris įvertintas pagal EPTA 2003/01 tyrimų metodiką (3,0 Ah).....	2,5 kg

Informacija apie keliamą triukšmą / vibraciją

Vertės matuotos pagal EN 60 745.

Prietaisui būdingas garso slėgio lygis, koreguotas pagal A dažnio charakteristiką.

Garso slėgio lygis (Paklaida K=3dB(A))	81 dB (A)
Garso galios lygis (Paklaida K=3dB(A))	92 dB (A)

Nešioti klausos apsauginės priemonės!

Bendroji svyravimų reikšmė (trijų krypčių vektorių suma), nustatyta remiantis EN 60745.

Medienos pjovimas

Vibravimų emisijos reikšmė a _n	7,2 m/s ²
Paklaida K=	1,5 m/s ²

DĖMESIO

Instrukcijoje nurodyta svyravimų ribinė vertė yra išmatuota remiantis standartu EN 60745; ji gali būti naudojama keliems elektriniams instrumentams palyginti. Ji taikoma ir laikinai įvertinti svyravimų apkrova.

Nurodyta svyravimų ribinė vertė yra taikoma pagrindinėse elektrinio instrumento naudojimo srityse. Svyravimų ribinė vertė gali skirtis naudojant elektrinį instrumentą kitose srityse, papildomai naudojant netinkamus elektrinio instrumentus arba juos nepakankamai techniškai prižiūrint. Dėl to viso darbo metu gali žymiai padidėti svyravimų apkrova.

Siekiant tiksliai nustatyti svyravimų apkrova, būtina atsižvelgti ir į laikotarpį, kai įrenginys yra išjungtas arba įjungtas, tačiau faktiškai nenaudojamas. Dėl to viso darbo metu gali žymiai sumažėti svyravimų apkrova.

Siekiant apsaugoti vartotojus nuo svyravimo įtakos naudojamos papildomos saugos priemonės, pavyzdžiui, elektrinių darbo instrumentų techninė priežiūra, rankų šilumos palaikymas, darbo procesų organizavimas.

⚠ JSPĖJIMAS! Perskaitykite visus saugos nurodymus ir instrukcijas. Jei nepaisysite žemiau pateiktų saugos nuorodų ir reikalavimų, gali trenkti elektros smūgis, kilti gaisras ir/arba galite sunkiai susižaloti arba sužaloti kitus asmenis.

Įsaugokite šias saugos nuorodas ir reikalavimus, kad ir ateityje galėtumėte jais pasinaudoti.

⚠ KARDINIO PŪKLO SAUGUMO NURODYMAI

Nešioti klausos apsaugos priemonės. Triukšmo poveikyje galima netekti klausos.

Dirbdami laikykite prietaisą už izoliuotų vietų, kuriose pjovimo įrenginys pats galėtų liesti paslėptus laidus. Dėl kontakto su laidininku, kuriuo teka elektros srovė, metalinėse prietaiso dalyse atsiranda atampa ir naudotojas gali gauti elektros smūgą.

KITI SAUGUMO IR DARBO NURODYMAI

Dėvėkite apsauginės priemonės. Dirbdami su mašina visada užsidėkite apsauginius akinius. Rekomenduotina dėvėti apsauginės priemonės: apsaugos nuo dulkių respiratorius, apsauginės pirštines, kietus batus neslidžiais padais, šalmą ir klausos apsaugos priemonės.

Darbo metu susidarancios dulksės yra dažnai kenksmingos sveikatai ir todėl turėtų nepatekti į organizmą. Dėvėti tinkamą apsauginę kaukę nuo dulkių.

Negalima apdirbti medžiagų, dėl kurių galimi sveikatos pažeidimai (pvz., asbesto).

Blokuojant įstatomąjį įrankį būtina išjungti prietaisą! Neįjunkite prietaiso, kol įstatomasis įrankis yra užblokuotas; galimas grįžtamasis smūgis su dideliu sukimo momentu. Atsižvelgdami į saugumo nurodymus, nustatykite ir pašalinkite įstatomojo įrankio blokavimo priežastį.

Galimos priežastys:

- Susidariusios apdirbimo ruošinio briaunos
- Apdirbamos medžiagos pratrūkimas
- Elektros įrankio perkrova

Nekiškite rankų į veikiančią mašiną.

Naudojamas įstatomasis įrankis gali įkaisti.

DĖMESIO! Pavojus nusideginti

- keičiant įrankį
- padedant prietaisą

Draudžiama išiminti drožles ar nuopjovas, įrenginiui veikiant.

Dirbdami sienoje, lubose arba grindyse, atkreipkite dėmesį į elektros laidus, dujų ir vandens vamzdžius.

Ruošinį užfiksuokite įtempimo įrenginiu. Neuzfiksuoti ruošiniai gali sunkiai sužaloti ir būti pažeidimų priežastimi.

Įtrūkusius arba pakitusios formos pjovimo diskus naudoti draudžiama!

Pjauti įleidimo metodu galima tik minkštose medžiagose (medienoje, lengvųjų konstrukcijų medžiagose sienoms). Pjaunant kietose medžiagose, reikia išgręžti pjovimo disko dydį atitinkančią gręžinį.

Prieš atlikdami bet kokius darbus įrenginyje, išimkite keičiamą akumuliatorių.

Sunaudotų keičiamų akumuliatorių nedeginkite ir nemeskite į buitines atliekas. „Milwaukee“ siūlo tausojantį aplinką sudėvėtų keičiamų akumuliatorių tvarkymą, apie tai prekybos atstovo.

Keičiamų akumuliatorių nelaikykite kartu su metaliniais daiktais (trumpoju jungimo pavojus).

Į įkroviklių keičiamiems akumuliatoriams įstatymui skirtą vamzdį turi nepatekti jokios metalinės dalys (trumpoju jungimo pavojus).

Keičiamus „C18“ sistemos akumuliatorius kraukite tik „C18“ sistemos įkrovikliams. Nekraukite kitų sistemų akumuliatorių.

Keičiamų akumuliatorių ir įkroviklių nelaikykite atvirai. Laikykite tik sausoje vietoje. Saugokite nuo drėgmės.

Ekstremalių apkrovų arba ekstremalios temperatūros poveikyje iš keičiamų akumuliatorių gali iškelti akumulatoriaus skysčiai. Išsitiesus akumulatoriaus skysčius, tuoj pat nuplaukite vandeniu su muilu. Patekus į akis, tuoj pat ne trumpiau kaip 10 minučių gausiai skalaukite vandeniu ir tuoj pat kreipkitės į gydytoją.

CE ATITIKTIES PAREIŠKIMAS

Remiantis bendrais atsakomybės reikalavimais pareiškiamo, jog skyrįje "Techniniai duomenys" aprašytas produktas atitinka visus toliau pateiktų juridinių direktyvų reikalavimus: 2011/65/EU (RoHS), 2014/30/ES, 2006/42/EB ir kitus su jomis susijusius norminius dokumentus: EN 60745-1:2009 + A11:2010 EN 60745-2-11:2010 EN 55014-1:2006 + A1:2009 + A2:2011 EN 55014-2:1997 + A1:2001 + A2:2008 EN 50581:2012

Winnenden, 2016-03-29

Alexander Krug
Managing Director



Įgalios parengti techninius dokumentus.

Techtronic Industries GmbH
Max-Eyth-Straße 10
71364 Winnenden
Germany

NAUDOJIMAS PAGAL PASKIRTĮ

Tiesinis pjūklas pjauna medieną, plastiką ir metalą. Jis pjauna tieses, kreives ir vidines išpjuvas. Jis pjauna vamzdžius ir nupjauna lygiai su paviršiumi.

Šį prietaisą leidžiama naudoti tik pagal nurodytą paskirtį.

AKUMULATORIAI

Ilgesnį laiką nenaudotus keičiamus akumuliatorius prieš naudojimą įkraukite.

Aukštesnė nei 50°C temperatūra mažina keičiamų akumuliatorių galią. Venkite ilgesnio saulės ar šilumos šaltinių poveikio.

Įkroviklio ir keičiamo akumulatoriaus jungiamieji kontaktai visada turi būti švarūs.

Pasinaudoję prietaisu, visiškai įkraukite akumuliatorių, kad prietaisas veiktų optimaliai ilgai.

Siekiant užtikrinti kuo ilgesnį baterijos tarnavimo laiką, reikėtų ją po atlikto įkrovimo iškart išimti iš įkroviklio.

Bateriją laikant ilgiau nei 30 dienų, būtina atkreipti dėmesį į šias nuorodas: bateriją laikyti sausoje aplinkoje, esant apie 27 °C temperatūrai. Baterijos įkrovimo lygis turi būti nuo 30% iki 50%. Baterija pakartotinai turi būti įkraunama kas 6 mėnesius.

APSAUGA NUO AKUMULATORIAUS PERKROVOS

Perkrovus akumuliatorių dėl itin didelės vartojamos srovės, pvz.: labai didelių apsučių, staigaus stabdymo, trumpo sujungimo ar užsikirtus, elektrinis įrankis veikia dar 2 sekundes ir išsijungia automatiškai.

Norint iš naujo įjungti įrankį, reikia atleisti mygtuką ir jį dar kartą įjungti. Dėl ekstremalių apkrovų akumuliatorius gali labai stipriai įkaisti. Tokiu atveju jis išsijungia.

LIČIO JONŲ AKUMULIATORIŲ PERVEŽIMAS

Ličio jonų akumuliatoriams taikomos įstatyminės nuostatos dėl pavojingų krovinių pervežimų.

Šiuos akumuliatorius pervežti būtina laikantis vietinių, nacionalinių ir tarptautinių direktyvų ir nuostatų.

- Naudotojai šiuos akumuliatorius gali naudoti savo transporte be jokių kitų sąlygų.
- Už komercinį ličio jonų akumuliatorių pervežimą atsako ekspedicijos įmonė pagal nuostatas dėl pavojingų krovinių pervežimo. Pasirodžius išsijūsti ir pervežimo darbus gali atlikti tik atitinkamai išmokyti asmenys. Visas procesas privalo būti prižiūrimas.

Pervežant akumuliatorius būtina laikytis šių punktų:

- Siekiant išvengti trumpųjų jungimų, įsitikinkite, kad kontaktai yra apsaugoti ir izoliuoti.

- Atkreipkite dėmesį, kad akumuliatorius pakuotės viduje neslidinėtų.
- Draudžiama pervežti pažeistus arba tekančius akumuliatorius.

Dėl detalesnių nurodymų kreipkitės į savo ekspedicijos įmonę.

TECHNINIS APTARNAVIMAS

Įrenginio vėdinimo angos visada turi būti švarios.

Naudokite tik „Milwaukee“ priedus ir „Milwaukee“ atsarginės dalis. Dalis, kurių keitimas neaprašytas, leidžiama keisti tik „Milwaukee“ klientų aptarnavimo skyriams (žr. garantiją/klientų aptarnavimo skyrių adresus brošiūroje).

Esant poreikiui, nurodžius mašinos modelį ir šešiženklį numerį, esantį ant specifikacijų lentelės, klientų aptarnavimo centre arba tiesiogiai „Techtronic Industries GmbH“, Max-Eyth-Str. 10, 71364 Winnenden, Vokietija, galite užsakyti išplėstinį prietaiso brėžinį.

SIMBOLIAI



DĖMESIO! ĮSPĖJIMAS! PAVOJUS!



Prieš atlikdami bet kokius darbus įrenginyje, išimkite keičiamą akumuliatorių.



Prieš pradėdami dirbti su prietaisu, atidžiai perskaitykite jo naudojimo instrukciją.



Priedas – neįeina į tiekimo komplektaciją, rekomenduojamas papildymas iš priedų asortimento.



Elektros prietaisų negalima išmesti kartu su būtinėmis atliekomis. Būtina rūšiuoti elektros ir elektroninius prietaisus ir atiduoti į atliekų perdirbimo centrą, kad jie būtų užtuoti užtikrinant aplinkos. Informacijos apie perdirbimo centrus ir atliekų surinkimo įstaigas teiraukitės vietos įstaigoje arba prekybininko.



CE ženklas

„EurAsian“ atitikties ženklas.

TEHNILISED ANDMED JUHTMETA TÜKELDUSSAAG C18HZ

Tootmisnumber	4526 65 02...
.....	4467 30 02...
.....	4313 78 02...
.....	...00001-999999
Vahetatava aku pinge	18 V
Käikude arv tühjooksul.....	0-3000 min ⁻¹
Käigu kõrgus.....	20 mm
Kaal vastavalt EPTA-protseduurile 01/2003 (1,5 Ah)	2,2 kg
Kaal vastavalt EPTA-protseduurile 01/2003 (3,0 Ah)	2,5 kg

Müra / Vibratsiooni andmed

Mõõteväärtused on kindlaks tehtud vastavalt normile EN 60 745.

Seadme A-filtriga hinnatud helirõhutase on tüüpiliselt

Helirõhutase (Määramatus K=3dB(A))	81 dB (A)
Helivõimsuse tase (Määramatus K=3dB(A))	92 dB (A)

Kandke kaitseks kõrvaklappe!

Vibratsiooni koguväärtus (kolme suuna vektorsumma) mõõdetud EN 60745 järgi.

Puidu saagimine

Vibratsiooni emissiooni väärtus a _h	7,2 m/s ²
Määramatus K=	1,5 m/s ²

TÄHELEPANU

Antud juhendis toodud võnketase on mõõdetud EN 60745 standardile vastava mõõtesüsteemiga ning seda võib kasutada erinevate elektriseadmete omavahelises võrdlemises. Antud näitaja sobib ka esmaseks võnkekoormuse hindamiseks.

Antud võnketase kehtib elektriseadme kasutamisel sihtotstarbeliselt. Kui elektriseadet kasutatakse muudel otstarvetel, muude tööriistadega või seda ei hooldata piisavalt võib võnketase siintoodust erineda. Eeltoodu võib võnketaset märkimisväärselt tõsta terves töökohas.

Võnketaseme täpseks hindamiseks tuleks arvestada ka aega, mil seade on välja lülitatud või on küll sisse lülitatud, kuid ei ole otseselt kasutuses. See võib märgatavalt vähendada kogu töökeskkonna võnketaset.

Rakendage spetsiaalseid ettevaatusabinõusid töötajate suhtes, kes puutuvad töö käigus palju kokku vibratsiooniga. Nendeks abinõudeks võivad olla, näiteks: elektri- ja tööseadmete korraline hooldus, käte soojendamine, töövoo parem organiseerimine.

⚠ HOIATUS! Lugege kõiki ohutusjuhiseid ja korraldusi.

Ohutusnõuete ja juhiste eiramise tagajärjeks võib olla elektrilöökk, tulekahju ja/või raskest vigastused.

Hoidke kõik ohutusnõuded ja juhised edasiseks kasutamiseks hoolikalt alles.**⚠ TIIGERSAAGIDE OHUTUSJUHISED****Kandke kaitseks kõrvaklappe.** Müra mõju võib kutsuda esile kuulmise kaotuse.**Tööde puhul, kus lõikeseade võib minna vastu peidetud elektrijuhtmeid, hoidke kinni seadme isoleeritud käepidemetest.** Kokkupuude pinge all oleva juhtmega võib seada seadme enda metallosad pinge alla ja põhjustada elektrilöögi.**EDASISED OHUTUS- JA TÖÖJUHISED**

Kasutada kaitsevarustust. Masinaga töötamisel kanda alati kaitseprille. Kaitseriietusena soovivat kasutada tolmu maski kaitsekindaid, kinniseid ja libisemisvastase tallaga jalanõusid, kiivrit ja kuulmisteede kaitset.

Töö ajal tekkiv tolm on sageli tervistkahjustav ning ei tohiks sattuda organismi. Kanda sobivat kaitsemaski.

Töödelda ei tohi materjale, millest lähtub oht tervisele (nt asbest).

Palun lülitage seade rakendustööriista blokeerumise korral kohe välja! Ärge lülitage seadet sisse tagasi, kuni rakendustööriist on blokeeritud; seejuures võib kõrge reaktsioonimomendiga tagasilöökk tekkida. Tehke ohutusjuhiseid arvesse võttes kindlaks ja kõrvaldage rakendustööriista blokeerumise põhjus.

Selle võimalikeks põhjusteks võivad olla:

- viltu asetumine töödeldavas toorikus
- töödeldava materjali läbimurdumine
- elektritööriista ülekoormamine

Ärge sisestage jäsemeid töötavasse masinasse.

Rakendustööriist võib kasutamise ajal kuumaks minna.

TÄHELEPANU! Põletusohu

- tööriista vahetamisel
- seadme ärapanemisel

EÜ VASTAVUSAVALDUS

Me deklareerime ainuisikuliselt vastutades, et lõigus "Tehnilised andmed" kirjeldatud toode vastab direktiivide 2011/65/EU (RoHS), 2014/30/EU, 2006/42/EÜ kõigile olulisele tähtsusega eeskirjadele ning järgmistele harmoniseeritud normatiivsetele dokumentidele:

EN 60745-1:2009 + A11:2010
 EN 60745-2-11:2010
 EN 55014-1:2006 + A1:2009 + A2:2011
 EN 55014-2:1997 + A1:2001 + A2:2008
 EN 50581:2012

Winnenden, 2016-03-29

Alexander Krug
Managing Director

On volitatud koostama tehnilist dokumentatsiooni.

Techtronic Industries GmbH
 Max-Eyth-Straße 10
 71364 Winnenden
 Germany

KASUTAMINE VASTAVALT OTSTARBELE

Saabelsaag puidu, plasti ja metalli lõikamiseks. Sobib sirg-, kurv- ning siseväljalõigeteks. Lõikab torusid ning mööda tasapinda.

Antud seadet tohib kasutada ainult vastavalt äranäidatud otstarbele.

AKUD

Pikemat aega mittekasutatud akusid laadige veel enne kasutamist.

Temperatuur üle 50 °C vähendab vahetatava aku töövoimet. Vältige pikemat soojenemist päikese või kütteseadme mõjul. Hoidke laadija ja vahetatava aku ühenduskontaktid puhtad.

Patreide optimaalse eluea tagamiseks, pärast kasutamist täielikult lae pateride plokk.

Akud tuleks võimalikult pika kasutusea saavutamiseks pärast täislaadimist laadijast välja võtta.

Aku ladustamisel üle 30 päeva:

Ladustage akut kuivas kohas u 27°C juures.

Ladustage akut u 30-50% laetusseisundis.

Laadige aku iga 6 kuu tagant täis.

AKU KOORMUSKAITSE

Aku ülekoormamisel kõrge voolutarbimisega, blokeerumisel, äkilisel seiskumisel või lühise tekkimisel, vibreerib elektritööriist 2 sekundit ning seejärel lülitub automaatselt välja. Uuesti sisse lülitamiseks tuleb päästik esmalt vabastada ning seejärel uuesti alla suruda.

Ülisuurel koormusel võib aku kuumeneda kõrgete temperatuurideni. Sellisel juhul lülitub aku välja.

LIITIUMIOONAKUDE TRANSPORTIMINE

Liitiumioonakud on allutatud ohtlike ainete transportimisega seonduvatele õigusaktidele.

Nende akude transportimine peab toimuma kohalikest, siseriiklikest ja rahvusvahelistest eeskirjadest ning määrustest kinni pidades.

- Tarbijad tohivad neid akusid edasiste piiranguteta tänaval transportida.
- Liitiumioonakude komertstransport ekspedeerimisettevõtete kaudu on allutatud ohtlike ainete transportimisega seonduvatele õigusaktidele. Tarne-ettevalmistusi ja transporti tohivad teostada eranditult vastavalt koolitatud isikud. Kogu protsessi tuleb asjatundlikult jälgida.

Akude transportimisel tuleb järgida järgmisi punkte:

- Tehke kindlaks, et kontaktid on lühise vältimiseks kaitstud ja isoleeritud.

- Pöörake tähelepanu sellele, et akupakk ei saaks pakendis niiskuda.
- Kahjustatud või välja voolanud akusid ei tohi kasutada.

Pöörduge edasiste juhiste saamiseks ekspedeerimisettevõtte poole.

HOOLDUS

Hoidke masina õhutuspiilud alati puhtad.

Kasutage ainult Milwaukee tarvikuid ja Milwaukee tagavaraosi. Detailid, mille väljavahetamist pole kirjeldatud, laske välja vahetada Milwaukee klientideeninduspunktis (vaadake brošüüri garantii / klientideeninduste aadressid).

Vajadusel saab nõuda seadme plahvatusjoonise võimsussildil oleva masinatüübi ja kuuekohalise numbril alusel klientideeninduspunkti või vahetult firmalt Techtronic Industries GmbH, Max-Eyth-Straße 10, 71364 Winnenden, Germany.

SÜMBOLID

ETTEVAATUST! TÄHELEPANU! OHUD!



Enne kõiki töid masina kallal võtke vahetatav aku välja.



Palun lugege enne käikulaskmist kasutusjuhend hoolikalt läbi.



Tarvikud - ei kuulu tarne komplekti, soovitatav täiendus on saadaval tarvikute programmis.



Elektriseadmeid ei tohi utiliseerida koos majapidamisprügiga. Elektrilised ja elektroonilised seadmed tuleb eraldi kokku koguda ning keskkonnasõbralikuks utiliseerimiseks vastavas käitlusettevõttes ära anda. Küsige kohalikest pädevatest ametitest või edasimüüjalt käitlusjaamade ja kogumispunktide kohta järele.



CE-märk

Euraasia vastavusmärk.

ТЕХНИЧЕСКИЕ ДАННЫЕ АКК. САБЕЛЬНАЯ ПИЛА C18HZ

Серийный номер изделия	4526 65 02...
.....	4467 30 02...
.....	4313 78 02...
.....	...00001-999999
Вольтаж аккумулятора	18 V
Частота хода без нагрузки	0-3000 min ⁻¹
Длина хода	20 mm
Вес согласно процедуре EPTA 01/2003 (1,5 Ah)	2,2 kg
Вес согласно процедуре EPTA 01/2003 (3,0 Ah)	2,5 kg

Информация по шумам / вибрации

Значения замерялись в соответствии со стандартом EN 60 745.

Обычное низкочастотное звуковое давление, производимое инструментом, составляет

Уровень звукового давления (Небезопасность K=3dB(A))	81 dB (A)
Уровень звуковой мощности (Небезопасность K=3dB(A))	92 dB (A)

Пользуйтесь приспособлениями для защиты слуха.

Общие значения вибрации (векторная сумма трех направлений) определены в соответствии с EN 60745.

Пиление дерева

Значение вибрационной эмиссии a _h	7,2 m/s ²
Небезопасность K=	1,5 m/s ²

ВНИМАНИЕ

Указанный в настоящем руководстве уровень вибрации измерен в соответствии с технологией измерения, установленной стандартом EN 60745 и может использоваться для сравнения электроинструментов друг с другом. Он также подходит для предварительной оценки вибрационной нагрузки.

Указанный уровень вибрации представляет основные виды использования электроинструмента. Но если электроинструмент используется для других целей, используемый инструмент отклоняется от указанного или техническое обслуживание было недостаточным, то уровень вибрации может отклоняться от указанного. В этом случае вибрационная нагрузка в течение всего периода работы значительно увеличивается.

Для точной оценки вибрационной нагрузки необходимо также учитывать время, в течение которого прибор отключен или включен, но фактически не используется. В этом случае вибрационная нагрузка в течение всего периода работы может существенно уменьшиться.

Установите дополнительные меры безопасности для защиты пользователя от воздействия вибрации, например: техническое обслуживание электроинструмента и используемого инструмента, поддержание рук в теплом состоянии, организация рабочих процессов.

⚠ ПРЕДУПРЕЖДЕНИЕ! Прочтите все указания по безопасности и инструкции.

Упущения, допущенные при соблюдении указаний и инструкций по технике безопасности, могут стать причиной электрического поражения, пожара и тяжелых травм.

Сохраняйте эти инструкции и указания для будущего использования.

⚠ УКАЗАНИЯ ПО БЕЗОПАСНОСТИ ДЛЯ САБЕЛЬНЫХ ПИЛ

Используйте наушники! Воздействие шума может привести к потере слуха.

Если Вы выполняете работы, при которых режущий инструмент может зацепить скрытую электропроводку кабель, инструмент следует держать за специально предназначенные для этого изолированные поверхности. Контакт с ведущими напряжением проводами ставит металлические части прибора под напряжение и ведет к поражению электротоком.

ДОПОЛНИТЕЛЬНЫЕ УКАЗАНИЯ ПО БЕЗОПАСНОСТИ И РАБОТЕ

Пользоваться средствами защиты. Работать с инструментом всегда в защитных очках. Рекомендуется спецодежда: пылезащитная маска, защитные перчатки, прочная и нескользящая обувь, каска и наушники.

Пыль, возникающая при работе данным инструментом, может нанести вред здоровью. Не следует допускать её попадания в организм. Надевайте противольевой респиратор.

Запрещается обрабатывать материалы, которые могут нанести вред здоровью (напр., асбест).

При блокировании используемого инструмента немедленно выключить прибор! Не включайте прибор до тех пор, пока используемый инструмент заблокирован, в противном случае может возникнуть отдача с высоким реактивным моментом. Определите и устраните причину блокирования используемого инструмента с учетом указаний по безопасности.

Возможными причинами могут быть:

- перекос заготовки, подлежащей обработке
- разрушение материала, подлежащего обработке
- перегрузка электроинструмента

Не прикасаться к работающему станку.

Используемый инструмент может нагреваться во время применения.

ВНИМАНИЕ! Опасность получения ожога

- при смене инструмента
- при укладывании прибора

Не убирайте опилки и обломки при включенном инструменте.

При работе в стенах, потолках или полу следите за тем, чтобы не повредить электрические кабели или водопроводные трубы.

Зафиксируйте вашу заготовку с помощью зажимного приспособления. Незафиксированные заготовки могут привести к тяжелым травмам и повреждению.

Не используйте треснувшие или погнутые полотна пилы.

Врезание без предварительного высверливания отверстий возможно в мягких материалах (дерево, легкие строительных материалах для стен). В более твердых материалах (металле) необходимо сначала просверлить отверстия, соответствующие размеру пильного полотна.

Выньте аккумулятор из машины перед проведением с ней каких-либо манипуляций.

Не выбрасывайте использованные аккумуляторы вместе с домашним мусором и не сжигайте их. Дистрибьюторы компании Milwaukee предлагают восстановление старых аккумуляторов, чтобы защитить окружающую среду.

Не храните аккумуляторы вместе с металлическими предметами во избежание короткого замыкания.

Не допускается попадание каких-либо металлических предметов в аккумуляторный отсек зарядного устройства во избежание короткого замыкания.

Для зарядки аккумулятора модели C18 используйте только зарядным устройством C18. Не заряжайте аккумуляторы других систем.

Никогда не вскрывайте аккумуляторы или зарядные устройства и храните их только в сухих помещениях. Следите, чтобы они всегда были сухими.

Аккумуляторная батарея может быть повреждена и дать течь под воздействием чрезмерных температур или повышенной нагрузки. В случае контакта с аккумуляторной кислотой немедленно промойте место контакта мылом и водой. В случае попадания кислоты в глаза промойте глаза в течении 10 минут и немедленно обратитесь за медицинской помощью.

ДЕКЛАРАЦИЯ О СООТВЕТСТВИИ СТАНДАРТАМ ЕС

Мы заявляем под собственную ответственность, что изделие, описанное в разделе "Технические характеристики", соответствует всем важным предписаниям Директивы 2011/65/EU (Директива об ограничении применения опасных веществ в электрических и электронных приборах), 2014/30/EU, 2006/42/EC и приведенным далее гармонизированным нормативным документам:

EN 60745-1:2009 + A11:2010
EN 60745-2-11:2010
EN 55014-1:2006 + A1:2009 + A2:2011
EN 55014-2:1997 + A1:2001 + A2:2008
EN 50581:2012

Winnenden, 2016-03-29

Alexander Krug
Managing Director



Уполномочен на составление технической документации.

Techtronic Industries GmbH
Max-Eyth-Straße 10
71364 Winnenden
Germany

ИСПОЛЬЗОВАНИЕ

Эта сабельная пила пилит дерево, пластик и металл. Она может пилить по кривой и заподлицо с поверхностью.

Не пользуйтесь данным инструментом способом, отличным от указанного для нормального применения.

АККУМУЛЯТОР

Перед использованием аккумулятора, которым не пользовались некоторое время, его необходимо зарядить.

Температура свыше 50°C снижает работоспособность аккумуляторов. Избегайте продолжительного нагрева или прямого солнечного света (риск перегрева).

Контакты зарядного устройства и аккумуляторов должны содержаться в чистоте.

Для обеспечения оптимального срока службы аккумуляторы необходимо полностью заряжать после использования.

Для достижения максимально возможного срока службы аккумуляторы после зарядки следует вынимать из зарядного устройства.

При хранении аккумулятора более 30 дней:

Храните аккумулятор при 27°C в сухом месте.

Храните аккумулятор с зарядом примерно 30% - 50%.

Каждые 6 месяцев аккумулятор следует заряжать.

ЗАЩИТА АККУМУЛЯТОРА ОТ ПЕРЕГРУЗКИ

При перегрузке аккумулятора из-за очень высокого расхода электроэнергии, напр., предельно высоких крутящих моментов, заклинивания, внезапной остановки или короткого замыкания, электроинструмент гудит 2 секунды и автоматически отключается.

Для повторного включения отпустить кнопку выключателя и затем снова включить.

При предельно высоких нагрузках аккумулятор может сильно нагреться. В этом случае аккумулятор отключится."

ТРАНСПОРТИРОВКА ЛИТИЙ-ИОННЫХ АККУМУЛЯТОРОВ

Литий-ионные аккумуляторы в соответствии с предписаниями закона транспортируются как опасные грузы.

Транспортировка этих аккумуляторов должна осуществляться с соблюдением местных, национальных и международных предписаний и положений.

- Эти аккумуляторы могут перевозиться по улице потребителем без дальнейших обязательств.
- При коммерческой транспортировке литий-ионных аккумуляторов экспедиторскими компаниями действуют положения, касающиеся транспортировки опасных грузов. Подготовка к отправке и транспортировка должны производиться исключительно специально обученными лицами. Весь процесс должен находиться под контролем специалиста.

При транспортировке аккумуляторов необходимо соблюдать следующие пункты:

- Убедитесь, что контакты защищены и изолированы во избежание короткого замыкания.
- Следите за тем, чтобы аккумуляторный блок не соскользнул внутри упаковки.
- Транспортировка поврежденных или протекающих аккумуляторов запрещена.

За дополнительными указаниями обратитесь к своему экспедитору.

ОБСЛУЖИВАНИЕ

Всегда держите охлаждающие отверстия чистыми.

Пользуйтесь аксессуарами и запасными частями Milwaukee. В случае возникновения необходимости в замене, которая не была описана, обращайтесь в один из сервисных центров по обслуживанию электроинструментов Milwaukee (см. список сервисных организаций).

При необходимости, у сервисной службы или непосредственно у фирмы Techtronic Industries GmbH, Max-Eyth-Straße 10, 71364, Винненден, Германия, можно запросить сборочный чертеж устройства, сообщив его тип и шестизначный номер, указанный на фирменной табличке.

СИМВОЛЫ



ВНИМАНИЕ! ПРЕДУПРЕЖДЕНИЕ! ОПАСНОСТИ!



Выньте аккумулятор из машины перед проведением с ней каких-либо манипуляций.



Пожалуйста, внимательно прочтите инструкцию по использованию перед началом любых операций с инструментом.



Принадлежности - В стандартную комплектацию не входит, поставляется в качестве дополнительной принадлежности.



Электрические устройства нельзя утилизировать вместе с бытовым мусором.

Электрические и электронные устройства следует собирать отдельно и сдавать в специализированную утилизирующую компанию для утилизации в соответствии с нормами охраны окружающей среды. Сведения о центрах вторичной переработки и пунктах сбора можно получить в местных органах власти или у вашего специализированного дилера.



Знак CE

Сертификата о соответствии
No. RU C-DE.ME77.B.01610

Срок действия сертификата о соответствии по 18.06.2019
ООО «Центр по сертификации стандартизации и систем качества «электро-машиностроительной продукции»
141400, РФ, Московская область, г. Химки, Ул.
Ленинградская, 29



Національний знак відповідності України

ТЕХНИЧЕСКИ ДАННИ	АКУМУЛАТОРЕН САБЛЕВИДЕН ТРИОН	C18HZ
Производствен номер.....	4526 65 02...	
.....	4467 30 02...	
.....	4313 78 02...	
.....	...00001-999999	
Напрежение на акумулатора	18 V	
Честота на движение на триончето на празен ход.....	0-3000 min ⁻¹	
Височина на хода.....	20 mm	
Тегло съгласно процедурата ЕРТА 01/2003 (1,5 Ah)	2,2 kg	
Тегло съгласно процедурата ЕРТА 01/2003 (3,0 Ah)	2,5 kg	

Информация за шума / вибрациите

Измерените стойности са получени съобразно EN 60 745. Нивото на звуково налягане на уреда в db (A) обикновено съставлява

Равнище на звуковото налягане (Несигурност K=3dB(A))81 dB (A)
 Равнище на мощността на звука (Несигурност K=3dB(A))92 dB (A)

Да се носи предпазно средство за слуха!

Общите стойности на вибрациите (векторна сума на три посоки) са определени в съответствие с EN 60745.

Рязане на дърво

Стойност на емисии на вибрациите a_n7,2 m/s²
 Несигурност K=1,5 m/s²

ВНИМАНИЕ

Посоченото в тези инструкции ниво на вибрациите е измерено в съответствие със стандартизиран в EN 60745 измервателен метод и може да се използва за сравнение на електрически инструменти помежду им. Подходящ е и за временна оценка на вибрационното натоварване.

Посоченото ниво на вибрациите представя основните приложения на електрическия инструмент. Ако обаче електрическият инструмент се използва с друго предназначение, с различни сменяеми инструменти или при недостатъчна техническа поддръжка, нивото на вибрациите може да е различно. Това чувствително може да увеличи вибрационното натоварване по време на целия работен цикъл.

За точната оценка на вибрационното натоварване трябва да се вземат предвид и периодите от време, в които уредът е изключен или работи, но в действителност не се използва. Това чувствително може да намали вибрационното натоварване по време на целия работен цикъл.

Определете допълнителни мерки по техника на безопасност в защита на обслужващия работник от въздействието на вибрациите като например: техническа поддръжка на електрическия инструмент и сменяемите инструменти, поддръжане на ръцете топли, организация на работния цикъл.

⚠ ПРЕДУПРЕЖДЕНИЕ! Прочетете всички указания и напътствия за безопасност.

Упущения, допуснени при събирането на указания и инструкции по технике безопасност, могат да станат причина за електрически поражения, пожара и тежки травми.

Сохраняйте эти инструкции и указания для будущего использования.

⚠ ИНСТРУКЦИИ ЗА БЕЗОПАСНОСТ ЗА САБЛЕНИ ТРИОНИ.

Носете средство за защита на слуха. Въздействието на шума може да предизвика загуба на слуха.

Дръжте уреда за изолираните ръкохватки, когато извършвате работи, при които режещият инструмент може да засегне скрити електроинсталационни кабели. При влизане в съприкосновение с проводник под напрежение, то се предава на всички метални части на електроинструмента, което може да доведе до токов удар.

ДОПЪЛНИТЕЛНИ УКАЗАНИЯ ЗА РАБОТА И БЕЗОПАСНОСТ

Да се използват предпазни средства. При работа с машината винаги носете предпазни очила. Препоръчват се защитно облекло и прахозащитна маска, защитни ръкавици, здрави и нехлъзгащи се обувки, каска и предпазни средства за слуха.

Прахът, който се образува при работа, често е вреден за здравето и не бива да попада в тялото. Да се носи подходяща прахозащитна маска.

Не е разрешена обработката на материали, които представляват опасност за здравето (напр. азбест).

Ако използваният инструмент блокира, изключете веднага уреда! Не включвайте уреда отново, докато използваният инструмент е блокиран; това би могло да доведе до откат с висока реактивна сила. Открийте и отстранете причината за блокирането на използвания инструмент имайки в предвид инструкциите за безопасност.

Възможните причини за това могат да бъдат:

- Заклинване в обработваната част
- Пробиване на материала

- Пренатоварване на електрическия инструмент

Не бъркайте в машината, докато тя работи.

Използваният инструмент може да загрее по време на употреба.

ВНИМАНИЕ! Опасност от изгаряния

- при смяна на инструмента
- при оставяне на уреда

Стружки или отчупени парчета да не се отстраняват, докато машина работи.

При работа в стени, тавани или подове внимавайте за кабели, газопроводи и водопроводи.

Закрепете обработваната част с устройство за захващане.

Незакрепени части за обработка могат да причинят сериозни наранявания и материални щети.

Да не се използват напукани режещи листове или такива, които са се деформирали!

Рязане с потъване на триона е възможно само при по-меки материали (дърво, леки строителни материали за стени), а при по-твърди материали (метали) трябва да се направи голям отвор съобразно режещия лист.

Преди започване на каквито е да е работи по машината извадете акумулатора.

Не извършвайте изхабените акумулатори в огъня или в при битовите отпадъци. Milwaukee предлага екологосъобразно събиране на старите акумулатори; моля попитайте Вашия специализиран търговец.

Не съхранявайте акумулаторите заедно с метални предмети (опасност от късо съединение).

В гнездото за акумулатори на зарядните устройства не бива да попадат метални части (опасност от късо съединение).

Акумулатори от системата C18 да се зареждат само със зарядни устройства от системата C18 laden. Да не се зареждат акумулатори от други системи.

Не отваряйте акумулатори и зарядни устройства и ги съхранявайте само в сухи помещения. Газете ги от влага.

При екстремно натоварване или екстремна температура от повредени акумулатори може да изтече батерийна течност. При

допир с такава течност веднага измийте с вода и сапун. При контакт с очите веднага изплаквайте старателно най-малко 10 минути и незабавно потърсете лекар.

СЕ - ДЕКЛАРАЦИЯ ЗА СЪОТВЕТСТВИЕ

Заявяваме под собствена отговорност, че описаният в "Технически данни" продукт съответства на всички важни разпоредби на директива 2011/65/EU (RoHS), 2014/30/EU, 2006/42/EO, както и на всички следващи нормативни документи във тази връзка.

EN 60745-1:2009 + A11:2010

EN 60745-2-11:2010

EN 55014-1:2006 + A1:2009 + A2:2011

EN 55014-2:1997 + A1:2001 + A2:2008

EN 50581:2012

Winnenden, 2016-03-29



Alexander Krug
Managing Director



Упълномощен за съставяне на техническата документация
 Techtronic Industries GmbH
 Max-Eyth-Straße 10
 71364 Winnenden
 Germany

ИЗПОЛЗВАНЕ ПО ПРЕДНАЗНАЧЕНИЕ

Саблевидният трион реже дърво, пластмаса и метал. Той реже по права и по крива линия, прави вътрешни изрези. Той реже тръби и разделя повърхности подравнено.

Този уред може да се използва по предназначение само както е посочено.

АКУМУЛАТОРИ

Акумулатори, които не са ползвани по-дълго време, преди употреба да се зарядират.

Температура над 50°C намалява мощността на акумулатора. Да се избягва по-продължително нагряване на слънце или от отопление.

Поддържайте чисти присъединителните контакти на зарядното устройство и на акумулатора.

С цел оптимална продължителност на живот след употреба батериите трябва да бъдат заредени напълно

За възможно по-дълга продължителност на живот батериите трябва да се изваждат от уреда след зареждане.

При съхранение на батериите за повече от 30 дни: съхранявайте батерията при прикл. 27°C и на сухо място. Съхранявайте батерията при 30 до 50 % от заряда. Зареждайте батерията на всеки 6 месеца.

ЗАЩИТА ОТ ПРЕТОВАРВАНЕ НА БАТЕРИЯТА

При претоварване на акумулатора поради много висока консумация на ток, напр. много високи въртящи моменти, заклинване, влезален стоп или късо съединение, електрическият инструмент бръмчи 2 секунди и самостоятелно се изключва. За ново включване освободете бутона за включване и отново го включете.

При извънредни натоварвания акумулаторът може да се нагрее силно. В този случай акумулаторът изключва.

ПРЕВОЗ НА ЛИТИЕВО-ЙОННИ БАТЕРИИ

Литиево-йонните батерии са предмет на законовите разпоредби за превоз на опасни товари.

Превозът на тези батерии трябва да се извършва в съответствие с местните, националните и международните разпоредби и регламенти.

- Потребителите могат да превозват тези батерии по пътя без допълнителни изисквания.
- Превозът на литиево-йонни батерии от транспортни компании е предмет на законовите разпоредбите за превоз на опасни товари. Подготовката на превоза и самият превоз трябва да се

извършват само от обучени лица. Целият процес трябва да е под професионален надзор.

Спазвайте следните изисквания при превоз на батерии:

- Уверете се, че контактите са защитени и изолирани, за да се избегне късо съединение.
- Уверете се, че няма опасност от разместване на батерията в опаковката.
- Не превозвайте повредени батерии или такива с течове.

Обърнете се към Вашата транспортна компания за допълнителни инструкции.

ПОДДРЪЖКА

Вентилационните шлицы на машината да се поддържат винаги чисти.

Да се използват само аксесоари на Milwaukee и резервни части на Milwaukee. Елементи, чията подмяна не е описана, да се дадат за подмяна в сервис на Milwaukee (вжте брошурата "Гаранция и адреси на сервиси").

При необходимост можете да поискате схема на елементите на уреда при посочване на обозначение на машината и шестцифрения номер на табелката за технически данни от Вашия сервис или директно на Techtronic Industries GmbH, Max-Eyth-Straße 10, 71364 Winnenden, Германия.

СИМВОЛИ



ВНИМАНИЕ! ПРЕДУПРЕЖДЕНИЕ!
ОПАСНОСТ



Преди започване на каквито е да е работи по машината извадете акумулатора.



Преди пускане на уреда в действие моля прочетете внимателно инструкцията за използване.



Аксесоари - Не се съдържат в обема на доставката, препоръчвано допълнение от програмата за аксесоари.



Електрическите уреди не трябва да се извърлят заедно с битовите отпадъци. Електрическото и електронното оборудване трябва да се събират отделно и да се предават на службите за рециклиране на отпадъците според изискванията за опазване на околната среда. Информирайте се при местните служби или при местните специализирани търговци относно местата за събиране и центровете за рециклиране на отпадъци.



CE-знак

EurAsian знак за съответствие.

DATE TEHNICE	FERĂSTRĂU SABIE CU ACUMULATOR	C18HZ
Număr producție.....	4526 65 02...	
.....	4467 30 02...	
.....	4313 78 02...	
.....	...000001-999999	
Tensiune acumulator	18 V	
Cursă în gol	0-3000 min ⁻¹	
Lungimi de cursă	20 mm	
Greutatea conform „EPTA procedure 01/2003” (1,5 Ah)	2,2 kg	
Greutatea conform „EPTA procedure 01/2003” (3,0 Ah)	2,5 kg	

Informație privind zgomotul / vibrațiile

Valori măsurate determinate conform EN 60 745.

Valoarea reală A a nivelului presiunii sonore a sculei este :

Nivelul presiunii sonore (Nesiguranță K=3dB(A)).....81 dB (A)

Nivelul sunetului (Nesiguranță K=3dB(A)).....92 dB (A)

Purtați căști de protecție

Valorile totale de oscilație (suma vectorială pe trei direcții)

determinate conform normei EN 60745.

Tăiere de lemn

Valoarea emisie de oscilații a_p

Nesiguranță K=.....7,2 m/s²

.....1,5 m/s²

AVERTISMENT

Gradul de oscilație indicat în prezentele instrucțiuni a fost măsurat în conformitate cu o procedură de măsurare normată prin norma EN 60745 și poate fi folosit pentru a compara unele electrice între ele. El se pretează și pentru o evaluare provizorie a solicitării la oscilații.

Gradul de oscilație indicat prezintă aplicațiile principale ale uneltelor electrice. În cazul în care însă unele electrice au fost folosite pentru alte aplicații, ori au fost folosite unele de muncă diferite ori acestea nu au fost supuse unei suficiente inspecții de întreținere, gradul de oscilație poate fi diferit. Acest fapt poate duce la o creștere netă a solicitărilor la oscilații dealungul întregii perioade de lucru.

În scopul unei evaluări exacte a solicitării la oscilații, urmează să fie luate în considerație și perioadele de timp în care aparatul a fost oprit ori funcționează dar, în realitate, el nu este folosit în mod practic. Acest fapt poate duce la o reducere netă a solicitărilor la oscilații dealungul întregii perioade de lucru.

Stabiliți măsuri de siguranță suplimentare în scopul protecției utilizatorului de efectele oscilațiilor, de exemplu: inspecție de întreținere a uneltelor electrice și a celor de muncă, păstrarea caldă a mâinilor, organizarea proceselor de muncă.

AVERTIZARE! Citiți toate indicațiile de siguranță și toate instrucțiunile. Nerespectarea indicațiilor de avertizare și a instrucțiunilor poate provoca electrocutare, incendii și/sau răni grave.

Păstrați toate indicațiile de avertizare și instrucțiunile în vederea utilizărilor viitoare.

INDICAȚII DE SIGURANȚĂ PENTRU TĂIEREA CU FERĂSTRĂIE SABIE

Purtați aparatoarele de urechi. Expunerea la zgomot poate produce pierderea auzului.

Țineți aparatul de mânerul izolat când executați lucrări la care scula tăietoare poate nimeri peste conductori electrici ascunși. Contactul cu un conductor sub tensiune determină punerea sub tensiune a componentelor metalice ale mașinii și duce la electrocutare.

INSTRUCȚIUNI SUPPLEMENTARE DE SIGURANȚĂ ȘI DE LUCRU

Folosiți echipament de protecție . Purtați întotdeauna ochelari de protecție când lucrați cu mașina . Se recomandă utilizarea hainelor de protecție ca de ex. Măști contra prafului, mănuși de protecție, încălțăminte stabilă nealunecoasă, cască și aparatoarele de urechi.

Praful care apare când se lucrează cu această sculă poate fi dăunător sănătății și prin urmare nu trebuie să atingă corpul.

Purtați o mască de protecție corespunzătoare împotriva prafului.

Nu se admite prelucrarea unui material care poate pune în pericol sănătatea operatorului (de exemplu azbestul).

La blocarea sculei demontabile vă rugăm să deconectați imediat aparatul! Nu conectați aparatul atâta timp cât scula demontabilă este blocată; dacă o faceți, s-ar putea să se producă un recul cu un cuplu mare de reacție. Găsiți și remediați cauza de blocare a sculei demontabile respectând indicațiile pentru siguranță.

Cauzele posibile pot fi:

- Agățarea în piesa de prelucrat
- Străpungerea materialului de prelucrat
- Suprasolicitarea sculei electrice

Nu atingeți părțile mașinii aflate în rotație.

Scula introdusă poate să devină fierbinte în timpul utilizării.

AVERTISMENT! Pericol de arsuri

- la schimbarea sculei
- la depunerea aparatului

Rumegușul și spanul nu trebuie îndepărtate în timpul funcționării mașinii.

Când se lucrează pe pereți, tavan sau dușumea, aveți grijă să evitați cablurile electrice și țevile de gaz sau de apă.

Asigurați piesa de prelucrat cu un dispozitiv de fixare. Piese neasigurate pot provoca accidentări grave și stricăciuni.

Nu folosiți lame de ferăstrău crăpate sau deformate.

Tăieri de adâncime fără efectuarea prealabilă a unei găuri sunt posibile cu materiale moi (lemn, materiale ușoare de construcție pentru pereți). Materialele mai dure (metale) trebuie întâi să fie perforate cu o gaură care corespunde dimensiunii lamei ferăstrăului.

Îndepărtați acumulatorul înainte de începerea lucrului pe mașina

Nu aruncați acumulatorii uzați la containerul de reziduri menajere și nu îi ardeți. Milwaukee Distributors se oferă să recupereze acumulatorii vechi pentru protecția mediului înconjurător.

Nu depozitați acumulatorul împreună cu obiecte metalice (risc de scurtcircuit)

Nu se permite introducerea nici unei piese metalice în locașul pentru acumulator al încărcătorului. (risc de scurtcircuit)

Folosiți numai încărcătoare System C18 pentru încărcarea acumulatorilor System C18. Nu folosiți acumulatori din alte sisteme.

Nu deschideți niciodată acumulatorii și încărcătoarele și pastrați-le numai în încăperi uscate. Pastrați-le întotdeauna uscate .

Acidul se poate scurge din acumulatorii deteriorați la încălziri sau temperaturi extreme. În caz de contact cu acidul din acumulator, spălați imediat cu apă și săpun. În caz de contact cu ochii, clătiți cu atenție timp de cel puțin 10 minute și apelați imediat la îngrijire medicală.

DECLARAȚIE DE CONFORMITATE

Declaram pe propria răspundere că produsul descris la "Date tehnice" este în concordanță cu toate prevederile legale relevante ale Directivei 2011/65/EU (RoHS), 2014/30/UE, 2006/42/CE și cu următoarele norme armonizate:

EN 60745-1:2009 + A11:2010

EN 60745-2-11:2010

EN 55014-1:2006 + A1:2009 + A2:2011

EN 55014-2:1997 + A1:2001 + A2:2008

EN 50581:2012

Winnenden, 2016-03-29

Alexander Krug

Alexander Krug
Managing Director



Împuternicit să elaboreze documentația tehnică.

Techntron Industries GmbH

Max-Eyth-Straße 10

71364 Winnenden

Germany

CONDIȚII DE UTILIZARE SPECIFICATE

Acest ferăstrău taie lemn, materiale plastice și metale . El poate tăia linii drepte, curbe și efectua tăieturi interne. Taie țevi și poate tăia razant la o suprafață.

Nu utilizați acest produs în alt mod decât cel stabilit pentru utilizare normală.

ACUMULATORI

Acumulatorii care nu au fost utilizați o perioadă de timp trebuie reîncărcați înainte de utilizare.

Temperatura mai mare de 50°C (122°F) reduce performanța acumulatorului. Evitați expunerea prelungită la căldură sau radiație solară (risc de supraîncălzire)

Contactele încărcătoarelor și acumulatorilor trebuie păstrate curate.

Pentru o durabilitate optimă, acumulatorii trebuie reîncărcați complet după folosire.

Pentru o durată de viață cât mai lungă, acumulatorii ar trebui scoși din încărcător după încărcare.

La depozitarea acumulatorilor mai mult de 30 zile: Acumulatorii se depozitează la cca. 27°C și la loc uscat. Acumulatorii se depozitează la nivelul de încărcare de cca. 30%-50%.

Acumulatorii se încarcă din nou la fiecare 6 luni.

PROTECȚIE SUPRAÎNCĂRCARE ACUMULATOR

În caz de supraîncărcare a acumulatorului prin consum foarte ridicat de curent, de ex. cupluri mecanice extrem de mari, înțepenirea, întrerupere bruscă sau scurtcircuit, unealta electrică produce timp de 2 secunde un zgomot înfundat, după care se decuplează de la sine.

În vederea recuplării, dați drumul butonului de comutare, iar apoi efectuați o nouă cuplare.

În condiții de încălziri extreme, acumulatorul se poate încălzi peste măsură. În acest caz, acumulatorul se decuplează.

TRANSPORTUL ACUMULATORILOR CU IONI DE LITIU

Acumulatorii cu ioni de litiu cad sub incidența prescripțiilor legale pentru transportul de mărfuri periculoase.

Transportul acestor acumulatori trebuie să se efectueze cu respectarea prescripțiilor și reglementărilor pe plan local, național și internațional.

- Consumatorilor le este permis transportul rutier nerestricționat al acestui tip de acumulatori.
- Transportul comercial al acumulatorilor cu ioni de litiu prin intermediul firmelor de expediție și transport este supus reglementărilor transportului de mărfuri periculoase. Pregătirile pentru expediție și transportul au voie să fie efectuate numai de

către personal instruit corespunzător. Întregul proces trebuie asistat în mod competent.

Următoarele puncte trebuie avute în vedere la transportul acumulatorilor:

- Pentru a se evita scurtcircuitate, asigurați-vă de faptul că sunt protejate și izolate contactele.
- Aveți grijă ca pachetul de acumulatori să nu poată aluneca în altă poziție în interiorul ambalajului său.
- Este interzis transportarea unor acumulatori deteriorați sau care pierd lichid.

Pentru indicații suplimentare adresați-vă firmei de expediție și transport cu care colaborați.

INTREȚINERE

Fantele de aerisire ale mașinii trebuie să fie menținute libere tot timpul

Utilizați numai accesorii și piese de schimb Milwaukee. Dacă unele din componente care nu au fost descrise trebuie înlocuite , vă rugăm contactați unul din agenții de service Milwaukee (vezi lista noastră pentru service / garanție)

Dacă este necesar, puteți solicita de la centrul dvs. de service pentru clienți sau direct la Techntron Industries GmbH, Max-Eyth-Straße 10, 71364 Winnenden, Germania un desen descompus al aparatului prin indicarea tipului de aparat și a numărului cu șase cifre de pe tăblița indicatoare.

SIMBOLURI



PERICOL! AVERTIZARE! ATENȚIE!



Îndepărtați acumulatorul înainte de începerea lucrului pe mașina



Va rugăm citiți cu atenție instrucțiunile înainte de pornirea mașinii



Accesoriu - Nu este inclus în echipamentul standard , disponibil ca accesoriu



Aruncarea aparatelor electrice la gunoiul menajere este interzisă. Echipamentele electrice și electronice trebuie colectate separat și predate la un centru de reciclare și eliminare a deșeurilor, pentru a fi eliminate ecologic. Interesați-vă la autoritățile locale sau la comerciantul dvs. de specialitate unde se află centre de reciclare și puncte de colectare.



Marcaj CE

Marcaj de conformitate EurAsian.

ТЕХНИЧКИ ПОДАТОЦИ САБЈЕСТА ПИЛА НА БАТЕРИИ С18НЗ

Произведен број.....	4526 65 02...
.....	4467 30 02...
.....	4313 78 02...
.....	...00001-999999

Волтажа на батеријата	18 V
Ударен момент при не оптовареност (на слободно).....	0-3000 min ⁻¹
Должина на удар.....	20 mm
Тежина според ЕПТА-процедурата 01/2003 (1,5 Ah).....	2,2 kg
Тежина според ЕПТА-процедурата 01/2003 (3,0 Ah).....	2,5 kg

Информации за бучавата / вибрации

Измерените вредности се одредени согласно стандардот EN 60 745.

Типично очекувано ниво на звучен притисок на алатот е:

Ниво на звучен притисок. (Несигурност K=3dB(A)).....	81 dB (A)
Ниво на јачина на звук. (Несигурност K=3dB(A)).....	92 dB (A)

Носте штитник за уши.

Вкупни вибрациски вредности (векторски збир на трите насоки) пресметани согласно EN 60745.

Дрво	
Вибрациска емисиона вредност a _n	7,2 m/s ²
Несигурност K=	1,5 m/s ²

ПРЕДУПРЕДУВАЊЕ

Нивото на осцилација наведено во овие инструкции е измерено во согласност со мерните постапки нормирани во EN 60745 и може да биде употребено за меѓусебна споредба на електро-алати. Ова ниво може да се употреби и за привремена проценка на оптоварувањето на осцилацијата.

Наведеното ниво на осцилација ги репрезентира главните намени на електро-алатот. Но, доколку електро-алатот се употребува за други намени, со отстапувачки податоци или со несоодветно одржување, нивото на осцилација може да отстапи. Тоа може значително да го зголеми оптоварувањето на осцилацијата за време на целиот работен период.

За прецизна проценка на оптоварувањето на осцилацијата предвид треба да бидат земени и времињата, во коишто апаратот е исклучен или работи, но фактички не се употребува. Тоа може значително да го намали оптоварувањето на осцилацијата за време на целиот работен период.

Утврдете дополнителни безбедносни мерки за заштита на операторот од влијанието на осцилациите, како на пример: одржување на електро-алатот и на податоци кон електро-алатот, одржување топли раце, организација на работните процеси.

▲ ВНИМАНИЕ! Прочитајте ги безбедносните напмени и упатства. Заборавање на почитувањето на безбедносните упатства и инструкции можат да предизвикаат електричен удар, пожар и/или тешки повреди.

Сочувајте ги сите безбедносни упатства и инструкции за во иднина.

▲ НАПОМЕНИ ЗА БЕЗБЕДНОСТ ЗА РЕЦИПРО ПИЛИ

Носете штитник за уши. Изложеноста на бука може да предизвика губење на слухот.

Држете го електричниот алат за издадените површини при изведување на операции при кои алатот за сечење можат да дојдат во контакт со скриени жици. Контакт со жица под напон исто така ќе направи проводници од металните делови и оној кој ракува со алатот ќе доживее струен удар.

ОСТАНАТИ БЕЗБЕДНОСНИ И РАБОТНИ УПАТСТВА

Употребувајте заштитна опрема. При работа со машината постојано носете заштитни очила. Се препорачува заштитна облека како: маска за заштита од прашина, заштитни ракавици, цврсти чевли што не се лизгаат, кацига и заштита за уши.

Пршната која се создава при користење на овој алат може да биде штетна по здравјето. Не ја вдишувајте. Носете соодветна заштитна маска.

Не смеат да бидат обработувани материјали кои што можат да го загрозат здравјето (на пр. азбест).

Доколку употребуваното орудие се блокира, молиме веднаш да се исклучи апаратот! Не го вклучувајте апаратот повторно додека употребуваното орудие е блокирано; притоа би можело да дојде до повратен удар со висок момент на реакција. Испитајте и отстранете ја причината за блокирањето на употребеното орудие имајќи ги во предвид напомените за безбедност.

Можни причини би можеле да се:

- Закантување во парчето кое што се обработува
- Кршење поради продирање на материјалот кој што се обработува
- Преоптоварување на електричното орудие

Не фаќајте во машината кога работи.

Употребеното орудие за време на примената може да стане многу жешко.

ПРЕДУПРЕДУВАЊЕ! Опасност од изгоретини

- при менување на орудие
- при ставање на апаратот на страна

Прашината и струготините не смеат да се одстрануваат додека е машината работи.

Кога работите на ѕидови, таван или под внимавајте да ги избегнете електричните, гасните и водоводни инсталации.

Обезбедете го предметот кој што го обработувате со направа за напон. Необезбедени парчиња кои што се обработуваат можат да предизвикаат тешки повреди и оштетувања.

Не користете скршени или избличени сечила.

Убодни резови без претходно дупчење се возможни кај меки материјали (дрво, лесни градежни материјали за ѕидови). Кај поцврсти материјали (метали) мора првин да се направи дупка која ќе одговара на димензијата на пилата.

Извадете го батерискиот склоп пред отпочнување на каков и да е зафат врз машината.

Не ги оставајте искористените батерии во домашниот отпад и не горете ги. Дистрибутерите на Милвоки ги собираат старите батерии, со што ја штитат нашата околина.

Не ги чувајте батериите заедно со метални предмети (ризик од краток спој).

Метални парчиња не смеат да навлезат во делот за полнење на батерија (ризик од краток спој).

Користете исклучиво Систем С18 за полнење на батерии од С18 систем. Не користете батерии од друг систем.

Не ги отворајте насилно батериите и погначите, и чувајте ги само на суво место. Чувајте ги постојано суви.

Киселината од оштетените батериите може да истече при екстреман напон или температури. Доколку дојдете во контакт со исатата, измијте се веднаш со сапун и вода. Во случај на контакт со очите плакнете ги убаво најмалку 10 минути и задолжително одете на лекар.

ЕУ-ДЕКЛАРАЦИЈА ЗА СООБРАЗНОСТ

Во своја сопствена одговорност изјавуваме дека под "Технички податоци" опишаниот производ е во склад со сите релевантни прописи од регулативата 2011/65/EU (RoHS), 2014/30/EU, 2006/42/EC и следните хармонизирачки нормативни документи:

EN 60745-1:2009 + A11:2010
EN 60745-2-11:2010
EN 55014-1:2006 + A1:2009 + A2:2011
EN 55014-2:1997 + A1:2001 + A2:2008
EN 50581:2012

Winnenden, 2016-03-29



Alexander Krug
Managing Director



Ополномоштен за составување на техничката документација.

Techntron Industries GmbH

Max-Eyth-Straße 10

71364 Winnenden

Germany

СПЕЦИФИЦИРАНИ УСЛОВИ НА УПОТРЕБА

Оваа сабјаста пила сече дрво пластика и метал. Може да сече прави линии, кривини и внатречни отсечоци. Сече цевки и може да сече паралелно со површината.

Не го користете овој производ на било кој друг начин освен пропишаниот за нормална употреба.

БАТЕРИИ

Подолг период неупотребувани комплекти батерии да се наполнат пред употреба.

Температура повисока од 50°C (122°F) го намалуваат траењето на батериите. Избегнувајте подолго изложување на батериите на високи температури или сонце (ризик од прегревање).

Клемите на полначот и батериите мора да бидат чисти.

За оптимален работен век, по употреба батериите мора да бидат целосно наполнети.

За можно подолг век на траење, апаратите после нивното полнење треба да бидат извадени од апаратот за полнење на батериите.

Во случај на складирање на батеријата подолго од 30 дена: Акумулаторот да се чува на температура од приближно 27°C и на суво место.

Акумулаторот да се складира на приближно 30%-50% од состојбата на наполнетост.

Акумулаторот повторно да се наполни на секои 6 месеци.

ЗАШТИТА ОД ПРЕОПТЕРЕТУВАЊЕ НА БАТЕРИЈАТА

При преоптоварување на батеријата со многу висока потрошувачка на струја, на пример екстремно високи вртежни моменти, заглавување, ненадејно запирање или краток спој, електро-уредот бучи 2 секунди, а потоа самостојно се гаси. За повторно вклучување ослободете го прекинувачот и вклучете повторно. Во случај на екстремни оптоварувања батеријата може да загрее многу. Во таков случај батеријата исклучува.

ТРАНСПОРТ НА ЛИТИУМ-ЈОНСКИ БАТЕРИИ

Литиум-јонските батерии подлежат на законските одредби за транспорт на опасни материи.

Транспортот на овие батерии мора да се врши согласно локалните, националните и меѓународните прописи и одредби.

- Потрошувачите на овие батерии може да вршат непречен патен транспорт на истите.
- Комерцијалниот транспорт на литиум-јонски батерии од страна на шпедитерски претпријатија подлежат на одредбите за транспорт на опасни материи. Подготовките за шпедиција и транспорт треба да ги вршат исклучиво соодветно обучени лица. Целокупниот процес треба да биде стручно надгледуван.

При транспортот на батерии треба да се внимава на следното:

- Осигурајте се дека контактите се заштитени и изолирани, а сето тоа со цел да се избегнат кратки споеви.
- Внимавајте да не дојде до изместување на батериите во нивната амбалажа.
- Забранет е транспорт на оштетени или протечени литиум-јонски батерии.

За понатамошни инструкции обратете се до Вашето шпедитерско претпријатие.

ОДРЖУВАЊЕ

Вентилациските отвори на машината мора да бидат комплетно отворени постојано.

Користете само Milwaukee додатоци и резервни делови. Доколку некои од компонентите кои не се опишани треба да бидат заменети, Ве молиме контактирајте ги сервисните агенти на Milwaukee (консултирајте ја листата на адреси).

При потреба може да се побара експлозионен цртеж на апаратот со наведување на машинскиот тип и шестоцифрениот број на табличката со учиниот или во Вашата корисничка служба или директно кај Techtron Industries GmbH, Max-Eyth-Straße 10, 71364 Winnenden, Германија.

СИМБОЛИ



**ВНИМАНИЕ! ПРЕДУПРЕДУВАЊЕ!
ОПАСНОСТ!**



Извадете го батерискиот склоп пред отпочнување на каков и да е зафат врз машината.



Ве молиме пред да ја стартувате машината обрнете внимание на упатствата за употреба.



Дополнителна опрема - Не е вклучена во стандардната, а достапна е како додаток.



Електричните апарати не смеат да се фрлат заедно со домашниот отпад. Електричните и електронските апарати треба да се собираат одделно и да се однесат во соодветниот погон заради нивно фрлање во склад со начелата за заштита на околината. Информирајте се кај Вашите местни служби или кај специјализираниот трговски претставник, каде има такви погони за рециклажа и собирни станици.



CE-знак

EurAsian (Евроазиски) знак на конформитет.

技术数据	充电式马刀锯	C18HZ
生产号	4526 65 02...	4467 30 02...
.....	4313 78 02...	...00001-999999
蓄电池电压	18 V	
无负载跳跃次数	0-3000 min ⁻¹	
跳跃高度	20 mm	
重量符合EPTA – Procedure01 / 2003 (1,5 Ah)	2,2 kg	
重量符合EPTA – Procedure01 / 2003 (3,0 Ah)	2,5 kg	

噪音信息, 振动信息
 本测量值符合 EN 60 745 条文的规定。
 本机器的音压值通常为
 音压值 (K=不可靠性=3dB(A)) 81 dB (A)
 音量值 (K=不可靠性=3dB(A)) 92 dB (A)
 请戴上护耳罩！

依欧盟EN 60745 标准确定的振荡总值（三方向矢量和）。
 木材锯开
 ah-振荡发射值 7,2 m/s²
 K-不可靠性 = 1,5 m/s²

注意
 本规程列出的依欧盟EN 60745 标准一项标准测量方法测量的振荡级也可用于电动工具比较并适合于临时振荡负荷估计。
 该振荡级代表电动工具的主要应用。电动工具的其他应用，不正确的工作工具或欠缺维护可造成振荡级偏差。此可明确提高总工作期间的振荡负荷。
 正确地估计一定工作期间的振荡负荷也要考虑到工具关闭或接通而不使用的期间。此可明确减少总工作期间的振荡负荷。
 为提高操作人员对振荡作用的保护得规定补充安全措施：电动工具及工作工具的维护，温手，工作过程组织等。

警告！ 务必阅读所有安全提示和指示。如未确实 遵循警告提示和指示，可能导致电击、火灾并且/ 或其他的严重伤害。
 妥善保存所有的警告提示和指示，以便日后查阅。

有关往复锯的安全提示
 请戴上耳罩。工作噪音会损坏听力。
 切割工具会碰到隐藏电线或自己的电缆时，得将器械握住于其绝缘把手表面。
 锯片接触了带电的电线，会把电导向其它金属部位，並引起电击。

其它安全和工作指示
 使用防护装备。操作机器时必须佩戴护目镜。最好也使用下列的防护装备，例如防尘面具、护手套、坚固而且止滑的工作鞋、安全头盔和耳罩等。
 工作尘往往有害健康，不可以让工作尘接触身体。工作时请佩戴合适的防尘面具。
 严禁工会导致健康危险的材料（石棉等）。

施工工具被卡住时，请及时关闭机器！为避免高反作用力矩，施工工具被卡住时不要重新接通机器。应按照安全提示查找并排除施工工具卡住的原因。
 有下列可能原因：
 • 工具斜卡在要加工工件中
 • 要加工材料的破裂
 • 电动工具超载

手指不要接近运行中的机器。
 进行工作时，被操作施工工具会发热。
警告！ 烧伤危险
 • 更换工具时
 • 放下机器时

如果机器仍在运转，切勿清除其上的木屑或金属碎片。
 在墙壁、天花板或地板工作时，必须特别注意被隐藏的电线、瓦斯管和水管。
 应通过夹紧装置锁定工件。未锁定工件会导致重伤和损坏。
 不可以使用有裂痕或已经变形的锯刀。

潜锯专用电锯只能锯割软的材料（例如木材和用来砌墙的轻建材）。如果使用本机器锯割硬的材料（例如钢铁），必须先在工作件上钻一个和锯片宽度相当的孔。

在机器上进行任何修护工作之前，先拿出蓄电池。
 损坏的蓄电池不可以丢入火中或一般的家庭垃圾中。Milwaukee 提供了符合环保要求的回收项目： 请向您的专业经销商索取有关详情。
 蓄电池不可以和金属物体存放在一起（可能产生短路）。
 充电器的充电格中，不可以存在任何金属物质（可能产生短路）。

C18 系列的蓄电池只能和 C18 系列的充电器配合使用。不可以使用本充电器为其它系列的电池充电。
 不可拆开蓄电池和充电器。蓄电池和充电器必须储藏在干燥的空间，勿让湿气渗入。
 在过度超荷或极端的温度下，可能从损坏的蓄电池中流出液体。如果触摸了此液体，必须马上使用肥皂和大量清水冲洗。如果此类流体侵入眼睛，马上用清水彻底清洗眼睛（至少冲洗 10 分钟），接着即刻就医治疗。

正确地使用机器
 本马刀锯可以用来锯木材、塑料和金属。它可进行直线割锯、曲线割锯并且也能够挖锯。也可以使用本机器锯割管子，锯缘整齐不起毛边。
 请依照本说明书的指示使用此机器。

蓄电池
 放电后，可达到最大的电容量。长期储放的蓄电池，必须先充电再使用。
 如果周围环境的温度超过摄氏 50 度，蓄电池的功能会减弱。勿让蓄电池长期曝露在阳光或暖气下。
 充电器和蓄电池的接触点都必须保持干净。
 为延长使用寿命，请在使用后给电池充满电。

蓄电池超载保护
 极端高扭矩，钻头被卡住，突然停止或短路等情况下特别高电流消耗所造成蓄电池超载时，电动工具发出哼声两秒并自动断开。
 为继续工作，放开开关按钮并再接通。
 极端超载时，蓄电池过热。这种情况下，蓄电池自动断开。

锂离子蓄电池的运输
 锂离子蓄电池属于危险货品并受制于危险货品运输条例。
 此蓄电池的运输必须遵守地方、国家和国际法律规定。
 • 用户在公路上运输此蓄电池不必遵守特殊规定。
 • 锂离子蓄电池的商业性运输受制于危险货品运输条例的规定。
 运输准备和运输必须由受过合适培训人员进行。全部过程必须由合格专业人员监督。


运输蓄电池时必须注意到下列事项：
 • 为避免短路，必须确保蓄电池接点的防护和绝缘。
 • 确保包装中的蓄电池包不会滑动。
 • 严禁运输损坏或泄漏蓄电池。


进一步建议请联系运输商。


维修
 机器的通气孔必须随时保持清洁。
 只能使用 Milwaukee 的配件和 Milwaukee 的零件。缺少检修说明的机件如果损坏了，必须交给 Milwaukee 的顾客服务中心更换（参考手册“保证书 / 顾客服务中心地址”）。


如果需要机器的分解图,可以向您的顾客服务中心或直接向 Techtronic Industries GmbH, Max-Eyth-Straße 10, 71364 Winnenden, Germany 联络。 案件时必须提供以下资料: 机型和机器铭牌上的六位数字码。


符号

 请注意!警告!危险!

 在机器上进行任何修护工作之前，先拿出蓄电池。

 使用本机器之前请详细阅读使用说明书。

 配件 - 不包含在供货范围中。请另外从配件目录选购。

 电气工具必须与生活垃圾分开处理。
 电气机器和电子机器必须单独分开收集並送到回收站以确保符合环境保护的处理。
 有关回收站和收集站的细节，请与主管当局或您的专业经销商联络。

CE
EAC
 欧洲共同体标志
 欧亚合格性标志。

إنتاج عدد	4526 65 02.....
.....	4467 30 02.....
.....	4313 78 02.....
.....	...000001-999999
فرلطة البطارية	V 18.....
معدل الحركة النظامية مع عدم وجود أحمال	min 0-3000.....
أطوال الحركة النظامية	mm 20.....
الوزن وفقاً لنهج EPTA رقم (1,5 Ah 1,5) 01/2003	kg 2,2.....
الوزن وفقاً لنهج EPTA رقم (3,0 Ah 1,5) 01/2003	kg 2,5.....

معلومات الضوضاء/الذبذبات

القيم التي تم قياسها محددة وفقاً للمعايير الأوروبية EN 60 745 مستويات ضوضاء الجهاز، ترجيحاً بشكل نمونجي كالتالي:
 مستوى ضغط الصوت (الارتياح في القياس = 3 ديسيبل ((
 مستوى شدة الصوت (الارتياح في القياس = 3 ديسيبل ((
 ارتد وأقيات الأذن!

قيم الذبذبات الإجمالي (مجموع الكميات الموجهة في المحاور الثلاثة) محددة وفقاً للمعايير الأوروبية EN 60745.

قطع الخشب	قيمة انبعاث الذبذبات (a _p).....
الارتياح في القياس	m/s² 7,2.....
	m/s² 1,5.....

تحذير!

تم قياس مستوى انبعاث الذبذبات الموجود بوثيقة المعلومات هذه وفقاً للاختبار القياسي وفقاً للمعايير الأوروبية EN 60745 ويمكن استخدامه لمقارنة جهاز غيره. كما يمكن استخدامه لعرض تقييم تمهيدي.

يمثل مستوى انبعاث الذبذبات المعلن عنه تطبيقات الجهاز الرئيسية. بالرغم من ذلك، فإنه إذا ما تم استخدام الجهاز لتطبيقات مختلفة، بلحقات مختلفة أو لم يتم المحافظة عليه، فقد يختلف انبعاث الذبذبات. قد يزيد ذلك بصورة كبيرة من مستوى التعرض للذبذبات طوال فترة العمل الإجمالية.

يجب الوضع في الاعتبار عند تقدير مستوى التعرض للذبذبات مرات إيقاف الجهاز أو تشغيله لكن دون استخدامه في القيام ب مهمة. فقد يقل ذلك بصورة كبيرة من مستوى التعرض للذبذبات طوال فترة العمل الإجمالية.

تعرف على معايير السلامة الإضافية لحماية المشغل من آثار الذبذبات مثل: صيانة الجهاز والملحقات، الحفاظ على دفة الأيدي، وتنظيم نماذج العمل.

⚠ تحذير!

اقرأ جميع تحذيرات السلامة وجميع التعليمات، بما فيها.

قد يؤدي الفشل في مراعاة التحذيرات والتعليمات إلى التعرض لإصابة بصدمة كهربية أو الحريق و/أو إصابة خطيرة.

احتفظ بجميع التنبيهات والتعليمات للرجوع إليها مستقبلاً.

⚠ تعليمات أمان للمناشير السيفية المنحنية

ارتد واقيات الأذن. قد يسبب التعرض للضوضاء فقدان السمع.

يجب الإمسك بالألة الكهربائية من خلال أسطح القبض المعزولة وذلك عند القيام بعمل ما حيث قد تلامس أداة التثبيت أسلاك مخفية.

تسبب تلامس أحد ملحقات آلة القطع بسلك كهربي "موصلة" في جعل الأجزاء المعدنية المكشوفة بالألة الكهربائية "موصلة" كهربيًا مما يجعل المشغل عرضة لصدمة كهربائية.

إرشادات أمان وعمل إضافية

استخدم معدة الوقاية. ارتد دائماً نظارة الوقاية عند العمل بالألة. ينصح باستخدام الملابس الواقية مثل الكمادات الواقية من الغبار، والقفازات، والأحذية القوية غير المنزلقة، والخوذات، وواقيات الأذن.

قد تكون الأتربة الناتجة عن استخدام هذه الألة ضارة بالصحة. لا تستنشق هذه الأتربة. ارتد قناعاً واقياً من الأتربة مناسباً.

لا يجوز استخدام مواد ينجم عنها أضرار على الصحة (حبر صخري).

الرجاء إيقاف تشغيل الجهاز على الفور في حالة عرقلة أداة الاستعمال!

لا تقم بتشغيل الجهاز مرة أخرى، طالما أن الأداة المستعملة لازالت في حالة عرقلة، حيث يمكن أن يحدث هنا ارتداد عكسي مصحوب بقوة رد فعل عالية.

قم بالبحث وإزالة أسباب عرقلة أداة الاستعمال مع مراعاة تعليمات الأمان.

من المحتمل أن تكون الأسباب هي:

- انحداد في القطعة المخصصة للاستعمال
- اختراق المواد المخصصة للاستعمال
- زيادة الحمل على الألة الكهربائية

لا تلامس بيديك الماكينة أثناء دورانها.

الأداة المستخدمة قد تسخن خلال الاستعمال.

تحذير! هناك خطر الإصابة بحروق

- عند استبدال الأداة
- عند وضع الجهاز

بموجب هذا نقر على مسؤوليتنا المتفردة، أن المنتج المذكور الموصوف تحت "البيانات الفنية" يلبي جميع التعليمات الهامة الخاصة بالمعايير
 2011/65/EU (RoHS), 2014/30/EU, 2006/42/EG
 ويتطابق مع وثائق المعايير المتوافقة التالية:

EN 60745-2-11:2010
 EN 55014-1:2006 + A1:2009 + A2:2011
 EN 55014-2:1997 + A1:2001 + A2:2008
 EN 50581:2012

Winnenden, 2016-03-29


 Alexander Krug
 Managing Director
 معتمدة للمطابقة مع الملف الفني
 Techtronic Industries GmbH
 Max-Eyth-Straße 10
 Winnenden 71364
 Germany

شروط الاستخدام المحدثة

يمكن استخدام هذا السيف القاطع لقطع الأخشاب والبلاستيك والمعادن. ويمكنه قطع الخطوط المستقيمة والتعاريح والقواطع الداخلية. يمكنه قطع الإلبيب ويمكنه القطع المباشر حتى السطح.

لا تستخدم هذا المنتج بأي طريقة أخرى غير مصرح بها للاستخدام العادي.

البطاريات

يجب إعادة شحن البطارية غير المستخدمة لفترة قبل الاستخدام.

تقلل درجات الحرارة التي تتجاوز 50°سيلزيوس (122°فهرنهايت) من أداء البطارية. تجنب التعرض للزائد للحرارة أو أشعة الشمس (خطر التسخين)..

يجب الحفاظ على محتويات الشواحن والبطاريات نظيفة.

للحصول على فترة استخدام مثالية، يجب شحن البطاريات تماماً، بعد الاستخدام.

للحصول على أطول عمر ممكن للبطارية، انزع البطارية من الشاحن بمجرد شحنها تماماً.

لتخزين البطارية أكثر من 30 يوم:

خزن البطارية بحيث تكون درجة الحرارة أقل من 27° سيلزيوس ويعبدا عن أي رطوبة
 خزن البطارية مشحونة بنسبة تتراوح بين 30 50- %
 اشحن البطارية كالمعتاد، وذلك كل ستة أشهر من التخزين.

حماية البطارية

في المواقف التي يكون فيها عزم الدوران عالٍ بشدة، وإعاقة الحركة والتباطؤ والقصور في الدائرة الكهربائية الذي ينتج عنه سحب لعدد كبير من التيار الكهربي، ستهتز الآلة لمدة 2 ثانية ثم تتوقف عن العمل.
 لإعادة الضبط جزر الازداد.

في الظروف القسوى للعمل، قد ترتفع درجة حرارة البطارية الداخلية بشدة. إذا ما حدث ذلك، ستتوقف البطارية عن العمل.

نقل بطاريات الليثيوم

تخضع بطاريات الليثيوم أيون لشروط قوانين نقل السلع الخطرة.

ويجب نقل هذه البطاريات وفقاً للأحكام والقوانين المحلية والوطنية والدولية.

• يمكن للمستخدم نقل البطاريات برأ دون الخضوع لشروط أخرى.

• يخضع النقل التجاري لبطاريات الليثيوم أيون عن طريق الغير إلى قوانين نقل السلع الخطرة. يتعين أن يقوم أفراد مدربون جيداً بالأعداد لعملية النقل والقيام بها بصحة خيرة مثلهم.

مَنى تُنقل البطاريات:

• عند التأكد من حماية أطراف توصيل البطارية وعزلها تجنباً لحدوث قصر بالدائرة.

• عند التأكد من حماية حزمة البطارية من الحركة داخل صندوق التعبئة.

• يُرجى عدم نقل البطاريات التي بها تشققات أو تسربات.

يُرجى البحث مع شركة الشحن عن نصيحة أخرى

الصيانة

يجب أن تكون فتحات تهوية الجهاز نظيفة طوال الوقت.

استخدم فقط ملحقات ميلوكي وكذلك قطع غيار ميلوكي. إذا كانت المكونات التي يجب تغييرها غير مذكورة، يرجى الاتصال بأحد عملاء صيانة ميلوكي (انظر قائمة عناوين الضمان/الصيانة الخاصة بنا).

عند الحاجة يمكن طلب رمز انفجار الجهاز بعد ذكر طراز الآلة والرقم السداسي المذكور على بطاقة طاقة الآلة لدى جهة خدمة العملاء أو مباشرة لدى شركة
 Techtronic Industries GmbH, Max-Eyth-Straße 10, 71364
 Winnenden، ألمانيا

تنبيه! تحذير! خطر!



افصل دائما القابس عن المقبس قبل تنفيذ أي عمل بالجهاز.



يرجى قراءة التعليمات بعناية قبل بدء تشغيل الجهاز.



الملحق - ليس مدرجاً كمعدة قياسية، متوفر كملحق.



يحظر التخلص من الأجهزة الكهربائية في القمامة المنزلية. يجب جمع الأجهزة الكهربائية والإلكترونية منفصلة وتسليمها للتخلص منها بشكل لا يضر بالبيئة لدى شركة إعادة استغلال. الرجاء الاستفسار لدى الهيئات المحلية أو لدى التجار المتخصصين عن مواقع إعادة الاستغلال ومواقع الجمع.

علامة المطابقة الأوروبية

علامة المطابقة الأوروبية الآسيوية



Copyright 2016
Techtronic Industries GmbH
Max-Eyth-Straße 10
71364 Winnenden
Germany
+49 (0) 7195-12-0



(01.16)
4931 4147 19