

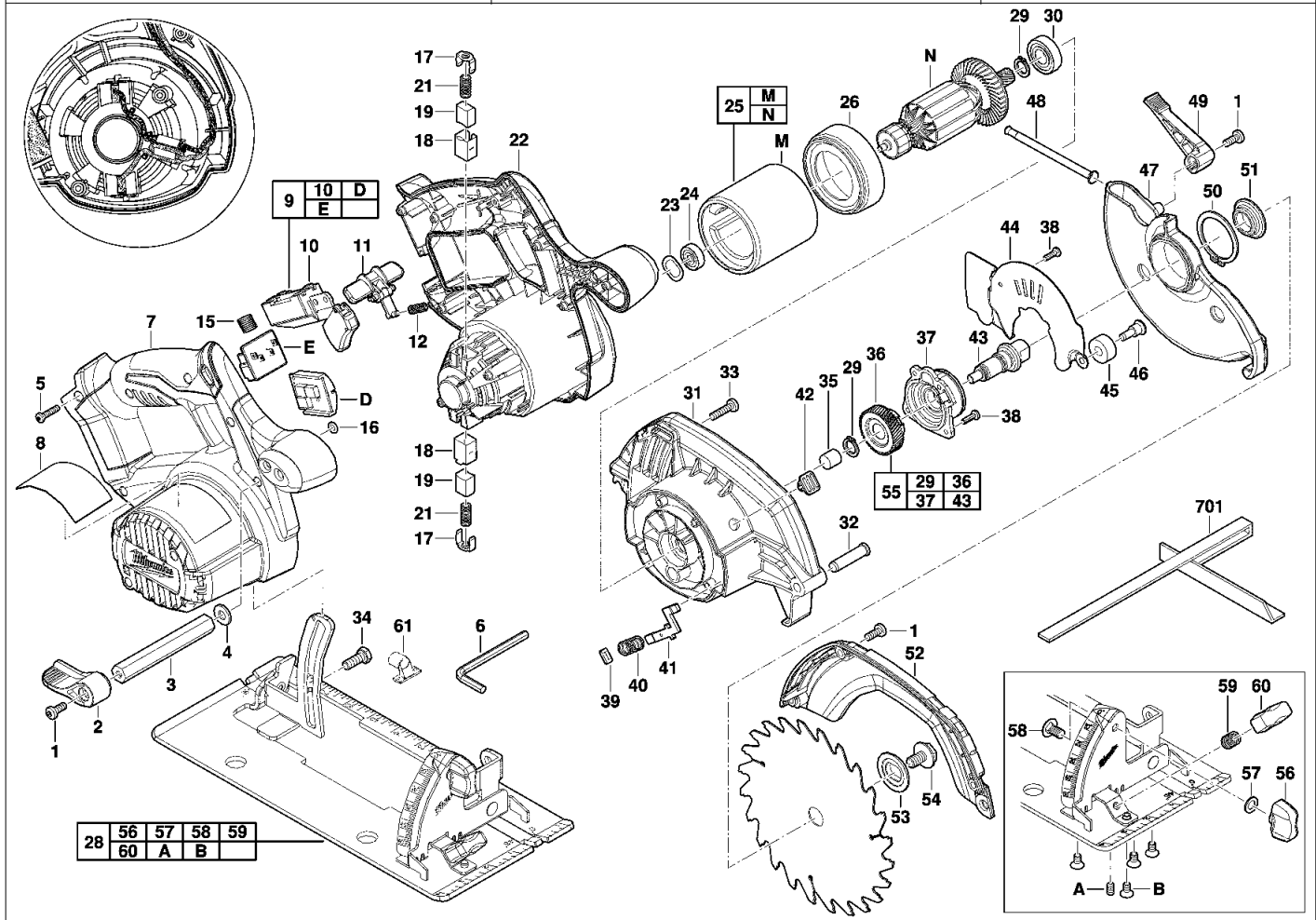
A & M Electric Tools

Battery Tools

Ind Product No.	Type	Voltage	Country
a 4000431631	HD18CS	18V	***

Ind Product No.	Type	Voltage	Country

Milwaukee			
HD 18 CS			
Exp.view No.	Version	Date	Page
4926 4335 01	0001	25.04.12	1/2



Pos	Index	Quanti	Article No.	Designation
0001	a.....	1	200546005	SCREW
0002	a.....	1	200937003	REBATE DEPTH GAUG
0003	a.....	1	201172001	DEPTH GAUGE
0004	a.....	1	201076002	WASHER
0005	a.....	1	200546006	SCREW
0006	a.....	1	201173001	ALLEN KEY
0007	a.....	1	200450003	RIGHT HANDLE HALF
0008	a.....	1	4931433503	RATING PLATE
0009	a.....	1	200913002	SWITCH RETAINER
0010	a.....	1	23661000	SWITCH
0011	a.....	1	4931404989	DRILL OFF BUTTON
0012	a.....	1	200550003	SPRING
0015	a.....	1	200550004	SPRING
0016	a.....	1	201255002	O-RING
0017	a.....	1	201245002	SPRING
0018	a.....	1	200882003	CARBON HOLDER
0019	a.....	1	4931433504	CARBON BRUSH SET
0021	a.....	1	200550005	SPRING
0022	a.....	1	200450004	RIGHT HANDLE HALF
0023	a.....	1	201166001	WASHER
0024	a.....	1	200716002	BALL BEARING
0025	a.....	1	290147067	MOTOR

Pos	Index	Quanti	Article No.	Designation
0026	a.....	1	201165001	COVER
0028	a.....	1	201275002	STOP
0029	a.....	1	201074002	REDUCTION ADAPTER
0030	a.....	1	200716003	BALL BEARING
0031	a.....	1	200281019	GEAR BOX HOUSING
0032	a.....	1	201167001	PIN
0033	a.....	1	200546002	SCREW
0034	a.....	1	200546003	SCREW
0035	a.....	1	200890002	NEEDLE BEARING
0036	a.....	1	201169001	GEAR UNIT
0037	a.....	1	200990007	GEAR BOX INSULATIO
0038	a.....	1	200546004	SCREW
0039	a.....	1	201273002	FELT
0040	a.....	1	200550002	SPRING
0041	a.....	1	200979002	SPINDLE LOCK
0042	a.....	1	200541002	LOCKING PIECE
0043	a.....	1	200941004	SPINDLE
0044	a.....	1	201271002	LATCH PLATE
0045	a.....	1	201184001	STOP
0046	a.....	1	200546007	SCREW
0047	a.....	1	201174001	GUARD CAP
0048	a.....	1	200550006	SPRING

Repairs/modification and testing of electric power tools are to be carried out by specialists. The safety regulations according to DIN/VDE/CEE/AFNOR and other regulations valid in the different countries are to be observed.

