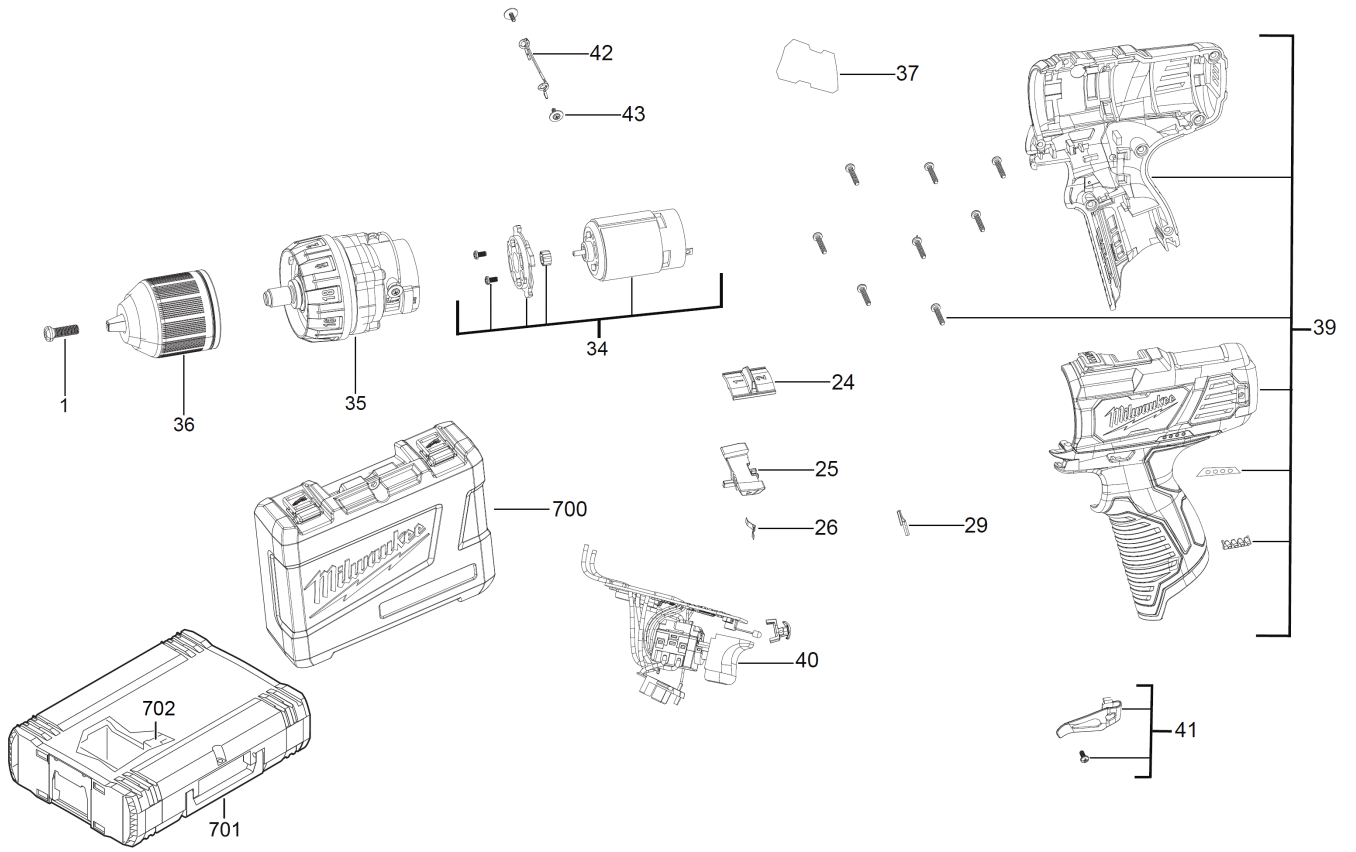


M12BDD-202C BATT. SCREWDRIVER IN2

4933441915 - M12BDD-202C - 4000441916





Position	Quantity	Description	Part number	EAN
0001	1	SCREW	660120008	4002395823208
0024	1	CONTROL DEVICE	4931435969	4002395886692
0025	1	RAM	4931441969	4002395179251
0026	1	SPRING PLATE	4931452341	4002395172528
0029	1	JOINING PART	631542001	4002395822591
0034	1	MOTOR ASSEMBLY	4931435971	4002395887316
0035	1	GEAR KIT	4931435979	4002395887392
0036	1	KEYLESS CHUCK	4931461743	4058546039769
0037	1	RATING PLATE	4931435978	4002395887385
0039	1	HOUSING	4931435974	4002395887347
0040	1	SWITCH KIT	4931435975	4002395887354
0041	1	CLAMP	4931435760	4002395866175
0042	1	SWITCH LEVER	4931435976	4002395887361
0043	1	SCREW	661262001	4002395839858
0700	1	CARRYING CASE	4931435977	4002395887378
0701	1	CARRYING CASE WITH FOAM INSERT MET	4932378986	4002395349401
0702	1	INSERT	4931436215	4002395884209
0001	2	M12B2 LI-ION BATTERY PACK 2.0AH XXX	4932430064	4002395377251