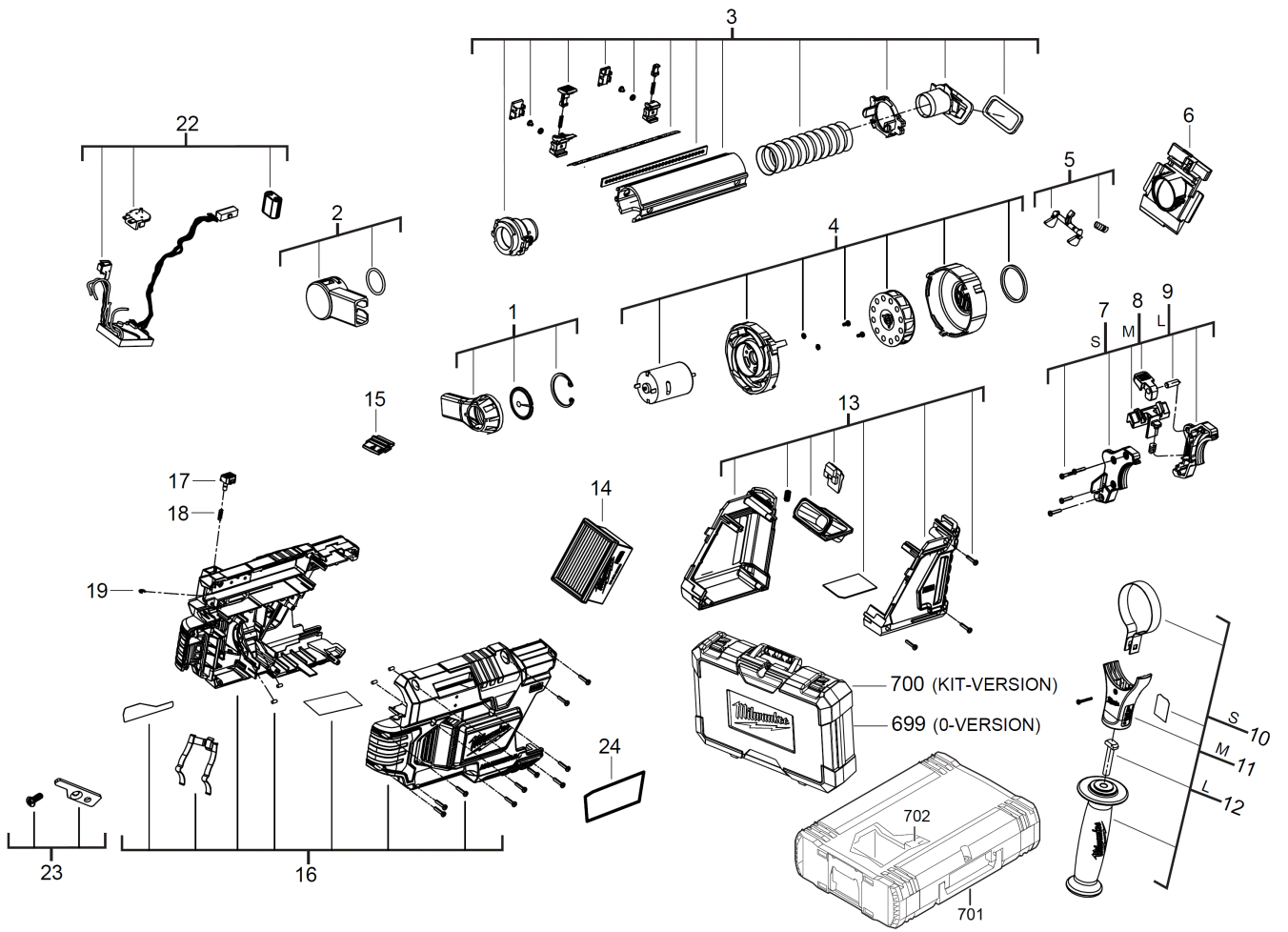


# M12DE-201X BTY.-SUCKER IN2

4933443003 - M12DE-201X - 4000440501





Position	Quantity	Description	Part number	EAN
0002	1	NOZZLE	4931435829	4002395868889
0003	1	SUCTION TUBE	4931435828	4002395868872
0004	1	MOTOR ASSEMBLY	4931435827	4002395868865
0005	1	CLAMPING SET	4931435826	4002395868858
0006	1	HOLDER	4931435811	4002395868100
0007	1	SUPPORT BRACKET	4931435812	4002395868117
0008	1	SUPPORT BRACKET	4931435813	4002395868124
0009	1	SUPPORT BRACKET	4931435830	4002395868896
0010	1	HANDLE COMPL.	4931435815	4002395868148
0011	1	HANDLE COMPL.	4931435816	4002395868155
0012	1	HANDLE COMPL.	4931435817	4002395868162
0015	1	SWITCH	4931435818	4002395868179
0016	1	MOTOR HOUSING	4931435819	4002395868186
0017	1	ADJUSTING BUTTON	4931435820	4002395868193
0018	1	SPRING	4931435821	4002395868803
0019	1	RING	4931435822	4002395868810
0022	1	SWITCH ASSEMBLY	4931435823	4002395868827
0023	1	PLATE	4931435824	4002395868834
0024	1	RATING PLATE	5131000000	
0699	1	CARRYING CASE	5131000000	
0700	1	CARRYING CASE	4931435814	4002395868131
0701	1	CARRYING CASE WITH FOAM INSERT MET	4932378986	4002395349401
0702	1	INSERT	4931447816	4002395884346
0001	1	M12B2 LI-ION BATTERY PACK 2.0AH XXX	4932430064	4002395377251
0001	1	M12DE NOZZLE DR NOZZLE -2PC	49902301	45242337279
0013	1	M12DE FILTER SET-3PC	49902340	45242299461
0014	1	M12DE DUST FILTER FILTER - 3PC	49902306	45242299454