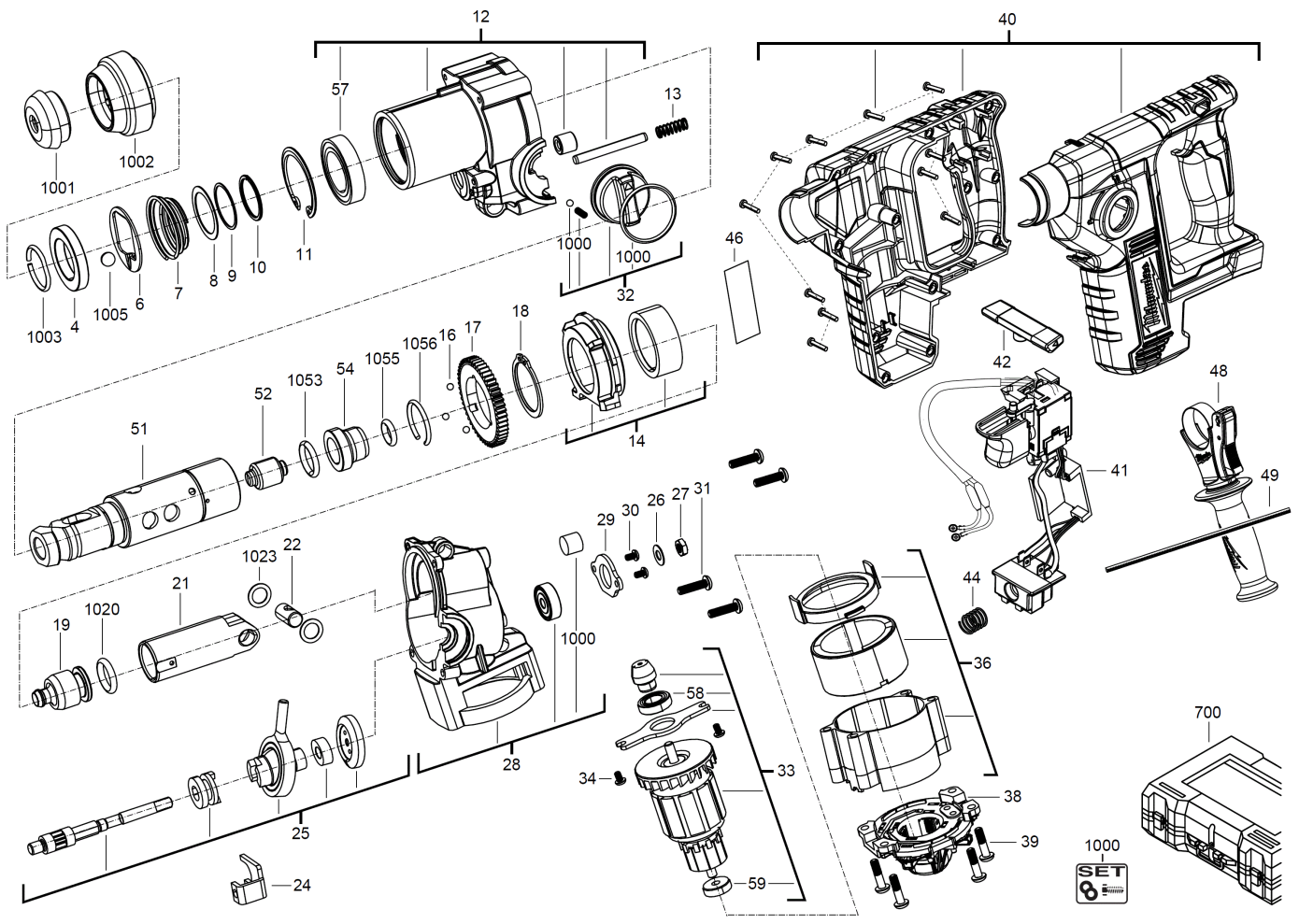


M18BH-402C BTY. ROTARY HAMMER IN2

4933443330 - M18BH-402C - 4000443321





Position	Quantity	Description	Part number	EAN
0004	1	LINER	4931435460	4002395890293
0006	1	PLATE	4931435914	4002395872114
0007	1	SPRING	672799001	4002395856916
0008	1	WASHER	4931435463	4002395890927
0009	1	WASHER	4931435464	4002395890934
0010	1	HOLDING RING	4931435465	4002395890941
0011	1	HOLDING RING	4931435476	4002395891658
0012	1	GEAR BOX	4931435983	4002395875740
0013	1	SPRING	4931435479	4002395891689
0014	1	BEARING END PLATE	4931452580	4002395172269
0016	1	BALL	611405001	4002395851201
0017	1	WORM GEAR WHEEL	4931435984	4002395875757
0018	1	HOLDING RING	4931435473	4002395891627
0019	1	IMPACT BOLT	4931435481	4002395892303
0021	1	PISTON	4931435919	4002395872169
0022	1	PIN	4931435484	4002395892334
0024	1	SWITCH LEVER	4931435985	4002395249718
0025	1	WOBBLE DRIVE	4931435986	4002395875764
0026	1	SPRING WASHER	4931435987	4002395875771
0027	1	NUT	4931446484	4002395875221
0028	1	GEAR BOX ASSY	4931435988	4002395875788
0029	1	SHAFT	4931435989	4002395875795
0030	1	SCREW	4931435990	4002395876402
0031	1	SCREW	4931435489	4002395892389
0032	1	SWITCH BUTTON	4931435490	4002395892396
0033	1	MOTOR	4931435991	4002395876419
0034	1	SCREW	4931435992	4002395876426
0036	1	MOTOR ASSEMBLY	4931435993	4002395876488
0038	1	CARBON BRUSH SET	4931435994	4002395876495
0039	1	SCREW	4931435995	4002395876433
0040	1	HOUSING	4931435996	4002395877102
0041	1	SWITCH	4931435997	4002395877119
0042	1	ACCEPTANCE	4931435998	4002395877126
0044	1	PRESSURE SPRING	4931408243	4002395814466
0046	1	RATING PLATE	4931435999	4002395877133
0048	1	HANDLE	4931436000	4002395877140
0049	1	DEPTH GAUGE	620448002	4002395851218
0051	1	SPINDLE	4931436001	4002395877157
0052	1	ANVIL	4931435467	4002395890965
0054	1	ANVIL	4931435469	4002395890989
0057	1	BALL BEARING	4931435477	4002395891665
0058	1	BALL BEARING	4931436002	4002395876440
0059	1	BALL BEARING	4931436003	4002395876457
0700	1	CARRYING CASE	4931436004	4002395876464
1000	1	MAINTENANCE SET	4931436005	4002395876471
1001	1	RUBBER CAP	561993001	4002395854936
1002	1	SLEEVE	4931435455	4002395890248
1003	1	LINER	4931435459	4002395890286
1005	1	BALL	4931435461	4002395890903
1020	1	RUBBER RING	4931435482	4002395892310

Position	Quantité	Désignation	Référence	EAN
1023	1	WASHER	4931435485	4002395892341
1053	1	RUBBER RING	4931435468	4002395890972
1055	1	RUBBER RING	4931435470	4002395890996
1056	1	SPRING RING	4931435471	4002395891603
0002	1	M12-18C BATTERY CHARGER IN2	4932352959	4002395376179