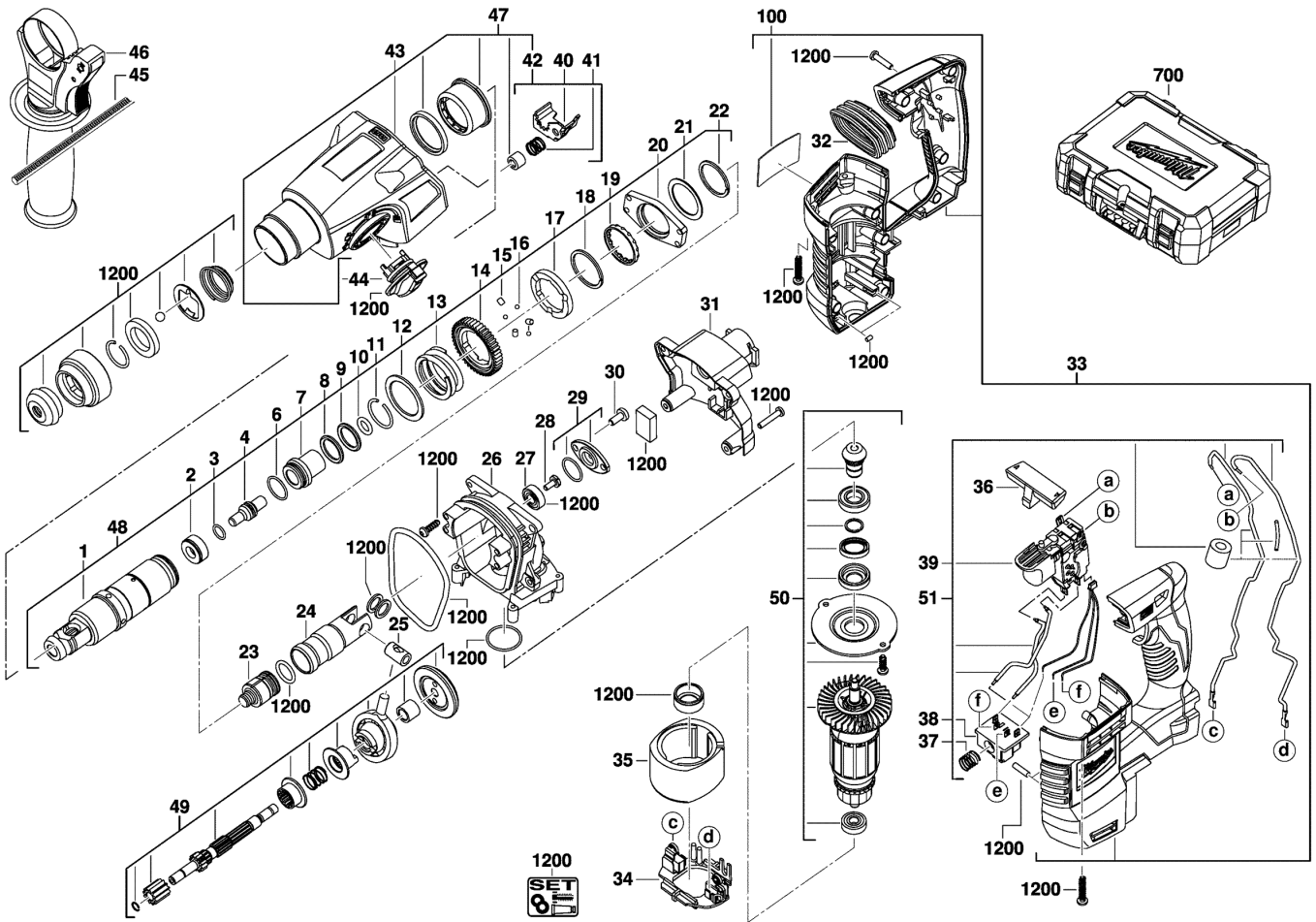


HD18H-402C BTY. COMBI HAMMER IN2

4933443468 - HD18H-402C IN2 - 4000428686





Position	Quantity	Description	Part number	EAN
0001	1	SPINDLE SLEEVE	621199001	4002395849611
0002	1	CORE LIFTER RING	692725001	4002395852000
0003	1	O-RING	4931454454	4058546008826
0004	1	ANVIL	692590001	4002395851942
0006	1	O-RING	562594001	4002395850648
0007	1	SLEEVE	692722001	4002395851973
0008	1	O-RING	562595001	4002395850655
0009	1	WASHER	633518001	4002395851348
0010	1	O-RING	562597001	4002395850679
0011	1	CIRCLIP	672632001	4002395851386
0012	1	WASHER	633517001	4002395851331
0013	1	SPRING	692735001	4002395852031
0014	1	REDUCTION GEAR	611291001	4002395850693
0015	3	PIN	681235001	4002395851904
0016	3	BALL	611405001	4002395851201
0017	1	CLUTCH	4931435089	4002395857678
0018	1	CIRCLIP	5131000000	
0019	1	BEARING	681480001	4002395851911
0020	1	BEARING	692838001	4002395849093
0021	1	WASHER	633516001	4002395851324
0022	1	CIRCLIP	633529001	4002395851355
0023	1	PERCUSSION BODY	692698001	4002395849635
0024	1	CYLINDER	692717001	4002395851959
0025	1	CYLINDER PIN	692718001	4002395851966
0026	1	BRACKET	641710001	4002395849628
0027	1	BALL BEARING	681383001	4002395802050
0028	1	SCREW	661504001	4002395851379
0029	1	BEARING END PLATE	201879001	4002395848997
0030	2	LOCKING SCREW	661286001	4002395851362
0031	1	GEAR BOX COVER	591125001	4002395849079
0032	1	RUBBER SLEEVE	562680001	4002395849055
0033	1	HANDLE PIECE	201836001	4002395848959
0034	1	CARBON BRUSH SET	290627001	4002395850600
0035	1	FIELD LEAD GROMMET	4931454082	4002395287574
0036	1	LEVER	591123001	4002395849062
0037	1	SPRING	4931408243	4002395814466
0038	1	INSERT	4931416290	4002395801213
0039	1	SWITCH	4931433316	4002395897315
0040	1	RETAINING PLATE	4931448985	4002395256174
0041	1	SPRING	692732001	4002395852017
0042	1	PLATE	201877001	4002395848973
0043	1	GEAR BOX	340124001	4002395849048
0044	1	SWITCH	4931448984	4002395256167
0045	1	DEPTH GAUGE	620448002	4002395851218
0046	1	AUXILIARY HANDLE	304389001	4002395850624
0047	1	GEAR BOX	201756001	4002395848928
0048	1	SPINDLE	201878001	4002395848980
0049	1	SPINDLE	4931446543	4002395877768
0050	1	ARMATURE	4931446544	4002395877751
0051	1	SWITCH	201881001	4002395849017

Position	Quantité	Désignation	Référence	EAN
0100	1	RATING PLATE	940488264	4002395849512
0700	1	CARRYING CASE	304112002	4002395849031
1200	1	MAINTENANCE SET	4931433266	4002395898992
0001	1	M18B4 LI-ION BATTERY PACK 4.0AH XXX	4932430063	4002395377244