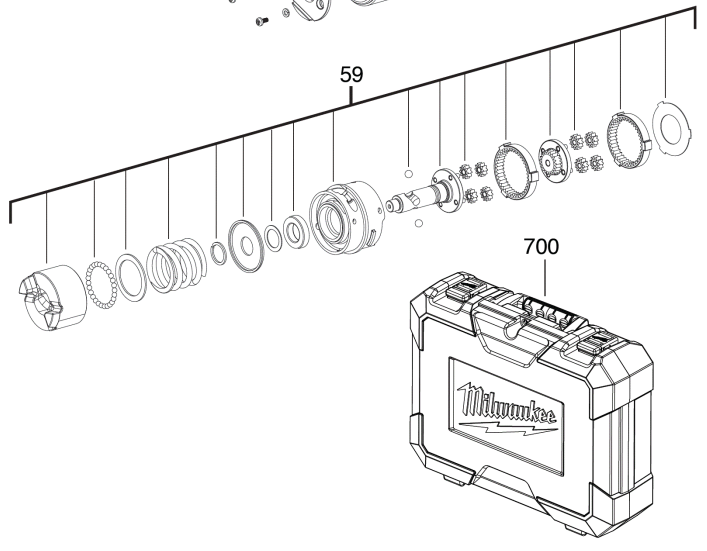
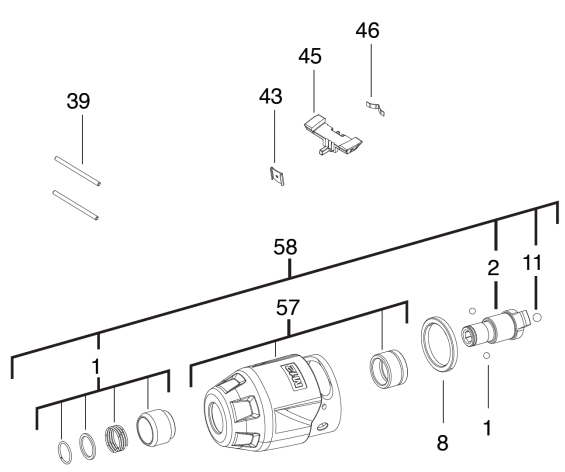
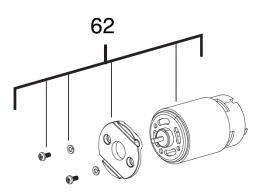
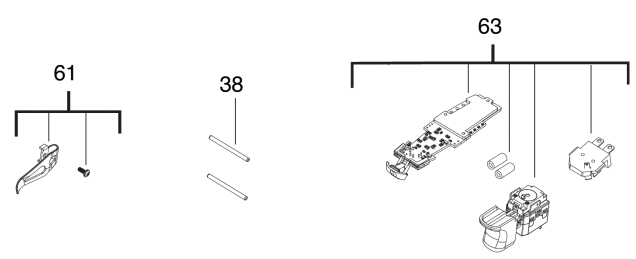
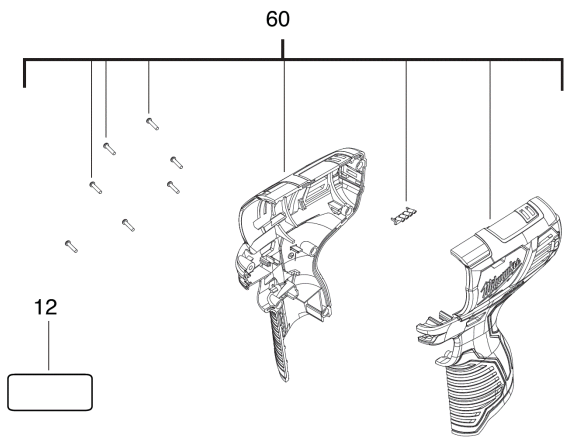


M12BPP2B-421C SET POWERPACK IN2

4933443497 - M12BPP2B-421C - 4000441961



Position	Quantity	Description	Part number	EAN
0001	1	SLEEVE	4931435941	4002395885640
0002	1	ANVIL	5131000000	
0008	1	RING	4931435780	4002395867578
0011	1	BALL	4931453238	4002395153916
0012	1	RATING PLATE	4931435943	4002395885664
0038	2	PIN	5131000000	
0039	2	PIN	5131000000	
0043	1	JOINING PART	631542001	4002395822591
0045	1	SLIDING SWITCH	4931441968	4002395179244
0046	1	SPRING PLATE	4931452341	4002395172528
0057	1	GEAR HEAD	4931435947	4002395886302
0058	1	GEAR BOX KIT	4931435948	4002395886319
0059	1	GEAR KIT	4931435949	4002395886326
0060	1	HANDLE SET	4931435950	4002395886333
0061	1	CLAMP	4931435760	4002395866175
0062	1	MOTOR ASSEMBLY	4931435951	4002395886340
0063	1	ELECTRONIC	4931435952	4002395886357
0700	1	CARRYING CASE	4931435953	4002395886364
0001	2	M12B4 LI-ION BATTERY PACK 4.0AH XXX	4932430065	4002395377268