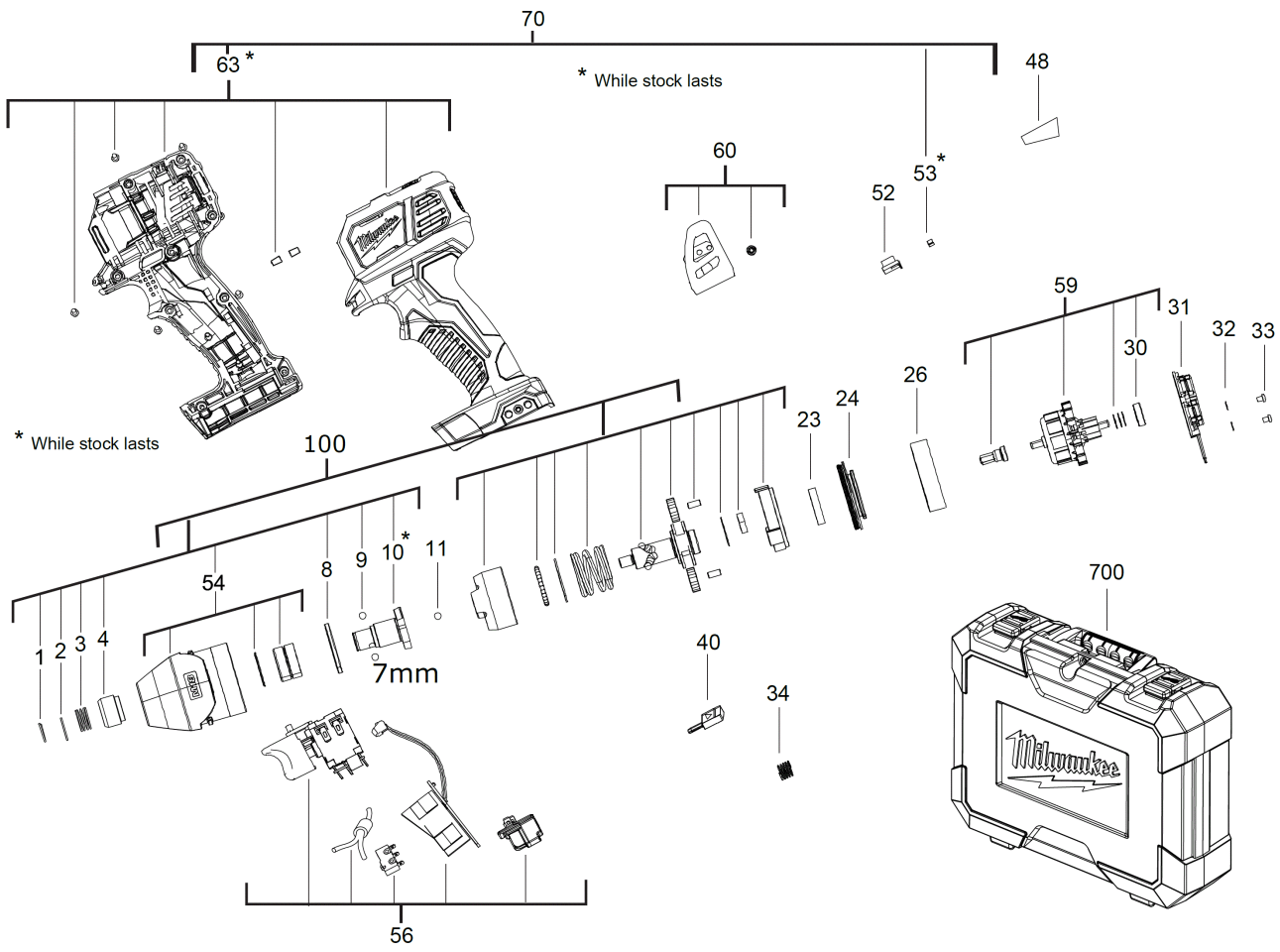


M18BID-402C 230V BTY.IMPACT DRIVER IN2

4933443580 - M18BID-402C IN2 - 4000443571





Position	Quantity	Description	Part number	EAN
0001	1	HOLDING RING	4931436098	4002395879908
0002	1	WASHER	4931436099	4002395879915
0003	1	SPRING	4931436084	4002395878567
0004	1	SLEEVE	4931436083	4002395878550
0008	1	WASHER	4931435372	4002395892082
0009	1	BALL	670220001	4002395761920
0010	1	DRIVE	5131000000	
0011	1	BALL	670219001	4002395849420
0023	1	BALL BEARING	4931436097	4002395879298
0024	1	HOUSING	4931436096	4002395879281
0026	1	ELECTRIC FIELD	4931454081	4002395287567
0030	1	BALL BEARING	681286001	4002395824014
0031	1	CARBON BRUSH SET	4931436094	4002395879267
0032	1	SPRING WASHER	670028003	4002395846627
0033	1	SCREW	4931435990	4002395876402
0034	1	PRESSURE SPRING	4931408243	4002395814466
0040	1	LEVER	4931436068	4002395878406
0048	1	RATING PLATE	4931436093	4002395878598
0052	1	SWITCH LEVER	4931436092	4002395879250
0053	1	SPRING PLATE	4931452341	4002395172528
0054	1	GEAR HEAD	4931436085	4002395878574
0056	1	SWITCH KIT	4931436090	4002395879236
0059	1	MOTOR ASSEMBLY	4931436088	4002395879212
0060	1	HOLDER	4931436076	4002395878482
0063	1	HOUSING	4931436087	4002395879205
0070	1	HOUSING set with spring	4931456815	4002395175079
0100	1	GEARHEAD SET	4931467108	4058546240875
0700	1	CARRYING CASE	4931436086	4002395878581
	1	M12-18C BATTERY CHARGER IN2	4932352959	4002395376179
	2	M18B4 LI-ION BATTERY PACK 4.0AH XXX	4932430063	4002395377244