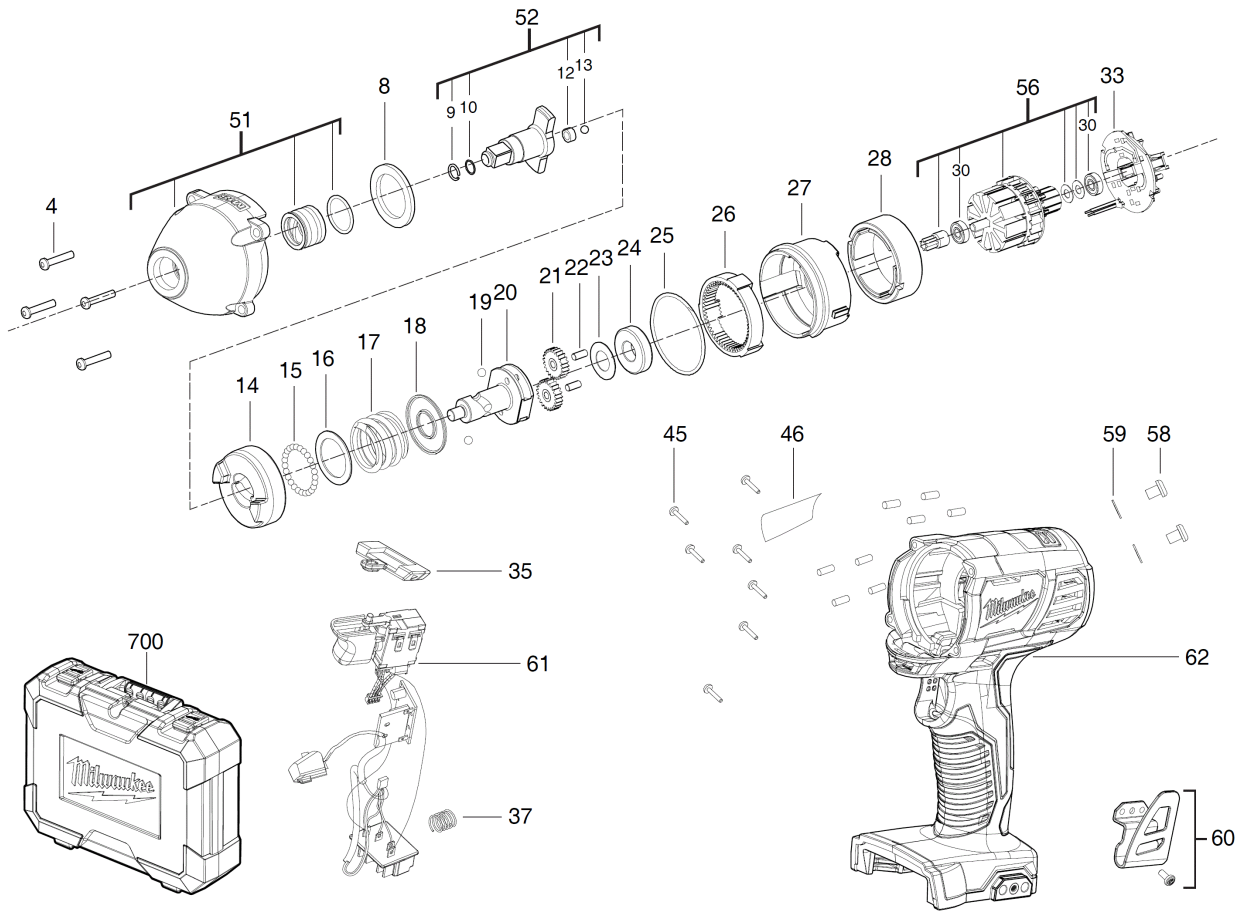


M18BIW38-0 BTY.IMPACT WRENCH XXX

4933443600 - M18BIW38-0 - 4000443601





Position	Quantity	Description	Part number	EAN
0004	4	SCREW	4931436054	4002395876372
0008	1	WASHER	4931452798	4002395169283
0009	1	RING	4931435756	4002395866137
0010	1	O-RING	4931435755	4002395866120
0012	1	NEEDLE BEARING	4931446185	4002395877645
0013	1	BALL	670219001	4002395849420
0014	1	PERCUSSION BODY	4931436056	4002395876396
0015	30	BALL	4931440309	4002395892013
0016	1	WASHER	4931436057	4002395877003
0017	1	SPRING	4931436058	4002395877010
0018	1	WASHER	4931436059	4002395877027
0019	2	BALL	4931440453	4002395892020
0020	1	RAM	4931436060	4002395877034
0021	2	PLANET GEAR	4931436061	4002395877041
0022	2	CYLINDER PIN	4931435378	4002395889341
0023	1	WASHER	4931435379	4002395889358
0024	1	BALL BEARING	4931436062	4002395877058
0025	1	HOLDING RING	4931436063	4002395877065
0026	1	WORM GEAR WHEEL	4931436064	4002395877072
0027	1	HOUSING	4931436065	4002395877775
0028	1	ELECTRIC FIELD	4931454076	4002395287512
0030	2	BALL BEARING	681262001	4002395806126
0033	1	CARBON BRUSH SET	4931436067	4002395877799
0035	1	LEVER	4931436068	4002395878406
0037	1	PRESSURE SPRING	4931408243	4002395814466
0045	9	SCREW	660851001	4002395823239
0046	1	RATING PLATE	4931436080	4002395878529
0051	1	HOUSING	4931436073	4002395878451
0052	1	DRIVE	4931436081	4002395878536
0056	1	ARMATURE	4931436075	4002395878475
0058	2	SPRING WASHER	670028003	4002395846627
0059	2	SCREW	4931435990	4002395876402
0060	1	HOLDER	4931436076	4002395878482
0061	1	SWITCH ASSEMBLY electronic	4931436077	4002395878499
0062	1	HANDLE	4931436078	4002395878505
0700	1	CARRYING CASE	4931436079	4002395878512
	1	M12-18C BATTERY CHARGER IN2	4932352959	4002395376179