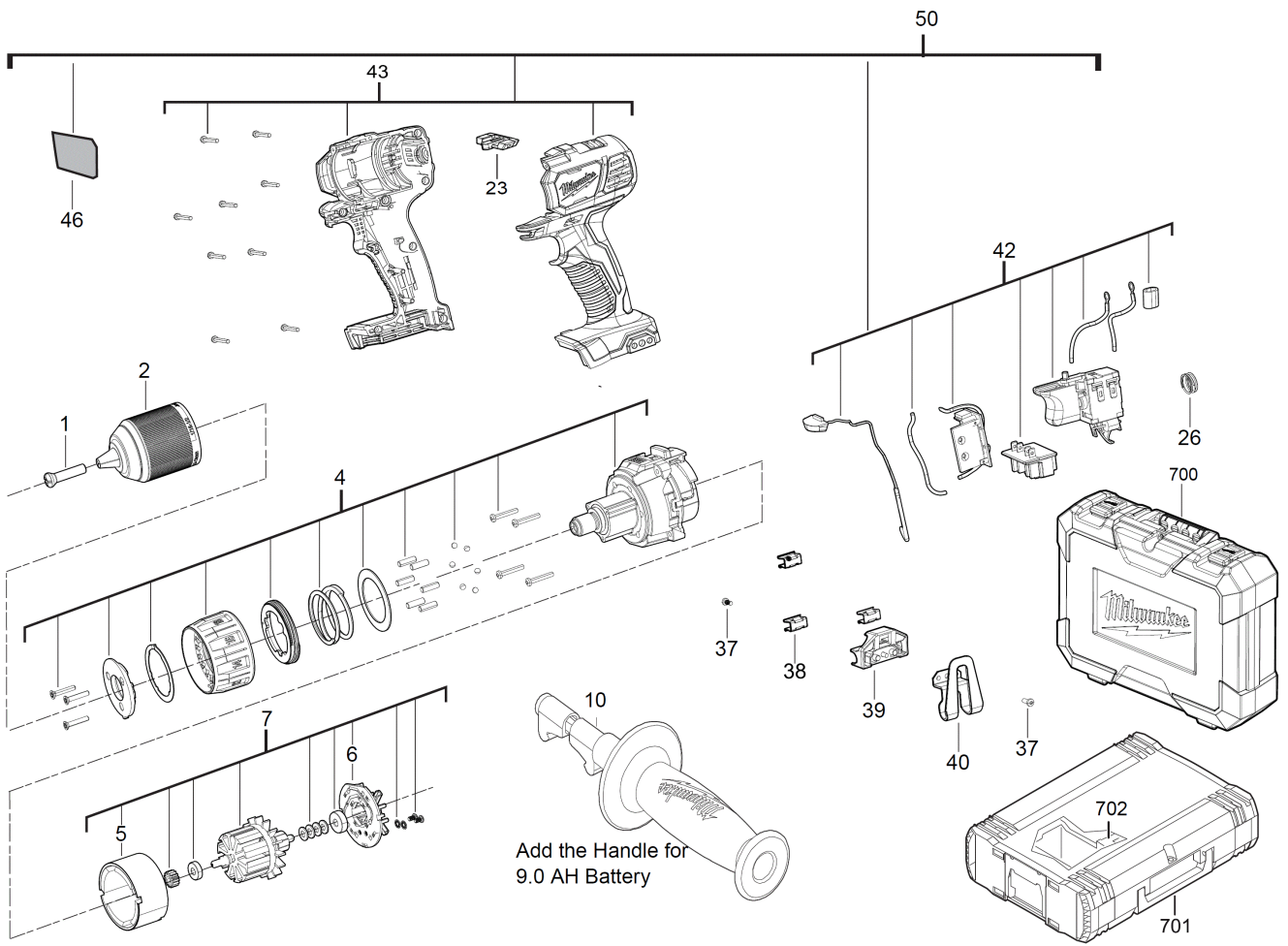


M18BDD-402X BTY. DRILL/SCREWDR. IN2

4933446198 - M18BDD-402X - 4000443531





Add the Handle for
9.0 AH Battery

Position	Quantity	Description	Part number	EAN
0001	1	SCREW	4931433297	4002395896684
0002	1	CHUCK	4931472723	4058546330255
0004	1	GEAR BOX KIT	4931436130	4002395878789
0005	1	ELECTRIC FIELD	4931431940	4002395898817
0006	1	CARBON BRUSH	4931436131	4002395878796
0007	1	MOTOR	4931436132	4002395879403
0010	1	AUXILIARY HANDLE	4931454527	4058546009557
0023	1	LEVER	4931436133	4002395879410
0026	1	PRESSURE SPRING	4931408243	4002395814466
0037	1	SCREW	660820001	4002395828920
0038	1	BIT HOLDER	630206001	4002395819164
0039	1	BIT HOLDER	516723001	4002395828975
0040	1	HOOK	4931436134	4002395879427
0042	1	SWITCH ASSEMBLY	4931436142	4002395880102
0043	1	HANDLE COMPL.	4931436136	4002395879441
0046	1	RATING PLATE	4931436137	4002395879458
0050	1	BODY HOUSINGÂ +SWITCH	4931447953	4002395250394
0700	1	CARRYING CASE	4931436138	4002395879465
0701	1	CARRYING CASE WITH FOAM INSERT MET	4932378986	4002395349401
0702	1	INSERT	4931440936	4002395863129
	1	M12-18C CHARGER (NO SALE) IN2	4931433047	4002395890743
	2	M18B4 BATTERY PACK 4.0AH (BULK)	4931440022	4002395886906
0001	1	M18B4 LI-ION BATTERY PACK 4.0AH XXX	4932430063	4002395377244
0002	1	M12-18C BATTERY CHARGER IN2	4932352959	4002395376179