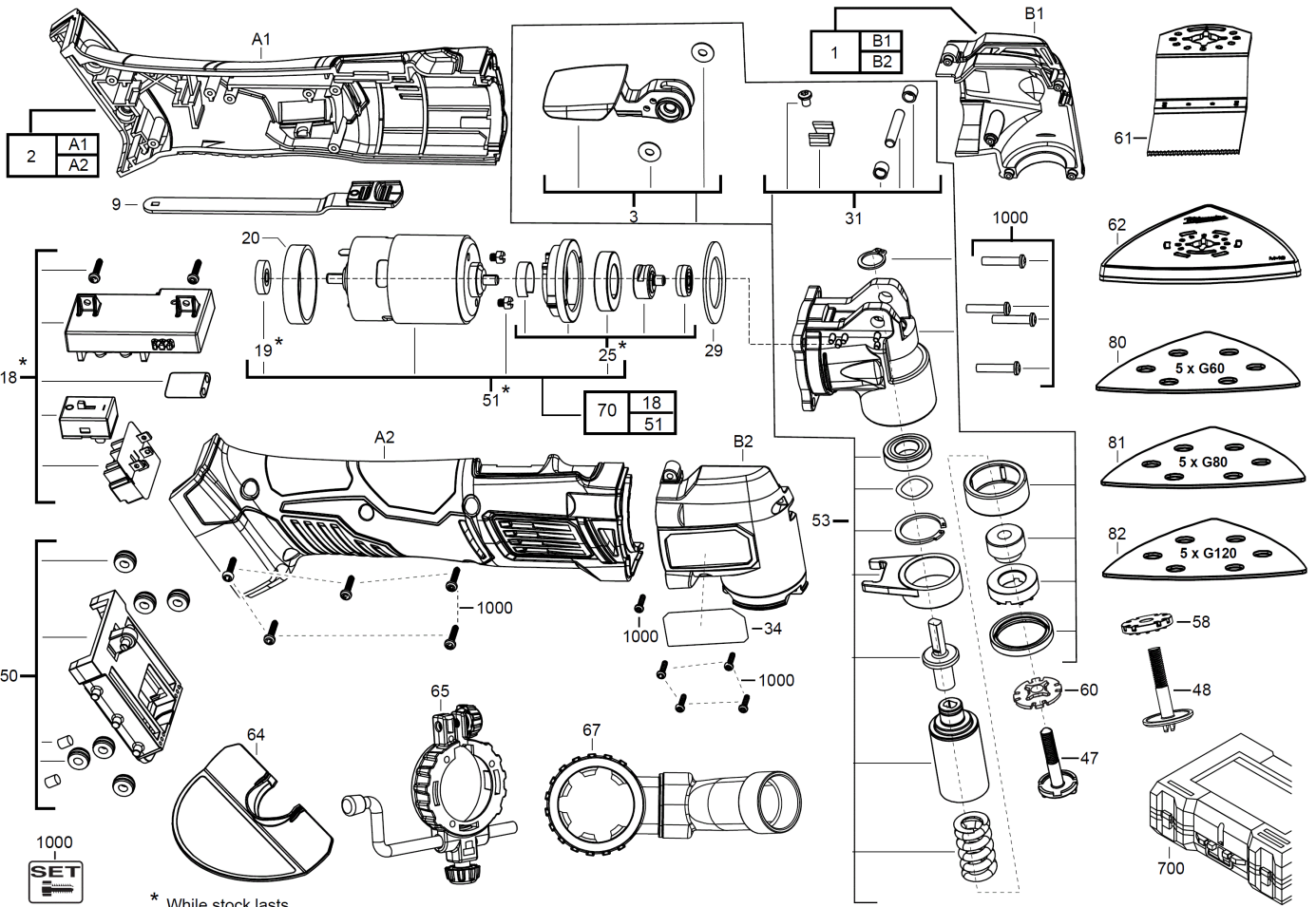


# M18BMT-0 MULTI HEADS TOOL XXX

4933446203 - M18BMT-0 - 4000446204





Position	Quantity	Description	Part number	EAN
0001	1	HOUSING CAP	4931436180	4002395878925
0002	1	HOUSING	4931436181	4002395878932
0003	1	RELEASE LEVER	4931436182	4002395881024
0009	1	SWITCH LEVER	4931436183	4002395878949
0018	1	SWITCH	5131000000	
0019	1	MAGNETIC DISC	5131000000	
0020	1	RUBBER RING	4931436186	4002395878970
0025	1	BEARING KIT	5131000000	
0029	1	WASHER	4931436188	4002395878994
0031	1	CLAMPING SET	4931436189	4002395881031
0034	1	RATING PLATE	4931436190	4002395879601
0047	1	CLAMPING SCREW	4931436191	4002395879618
0048	1	STRAINING SCREW	4931447570	4002395882939
0050	1	TERMINAL STRIP	4931436192	4002395881048
0051	1	MOTOR ASSEMBLY	5131000000	
0053	1	GEAR BOX KIT	4931436194	4002395879632
0058	1	CLAMPING FLANGE,Adapter	4931447571	4002395883639
0060	1	ADAPTER	4931447572	4002395882946
0061	1	SAW BLADE	4931447573	4002395882953
0062	1	GRINDING DISK	4931447574	4002395882960
0064	1	KNIFE PROTECTION	4931447578	4002395883608
0065	1	DEPTH GAUGE	4931447579	4002395883615
0067	1	DUST EXTRACTION AS.	4931447580	4002395883622
0070	1	MOTOR ASSEMBLY	4931452215	4002395179640
0080	1	SANDING PAPER	4931447575	4002395882977
0081	1	SANDING PAPER	4931447576	4002395882984
0082	1	SANDING PAPER	4931447577	4002395882991
0700	1	CARRYING CASE	4931447720	4002395883042
1000	1	SCREW	4931436195	4002395879649