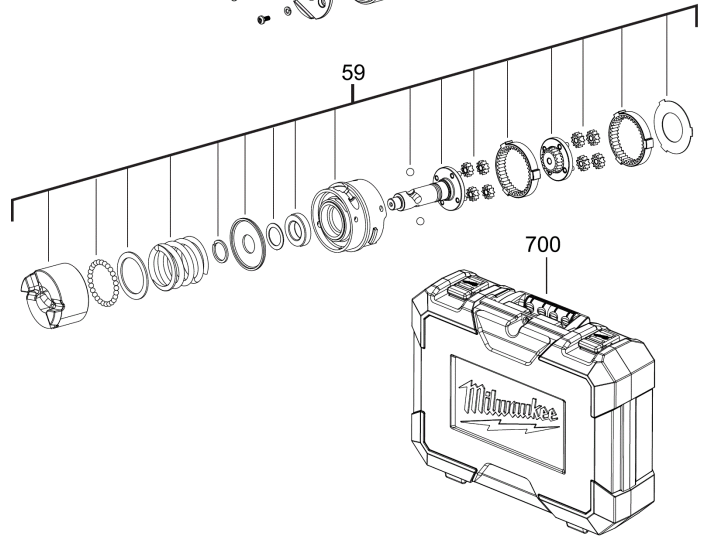
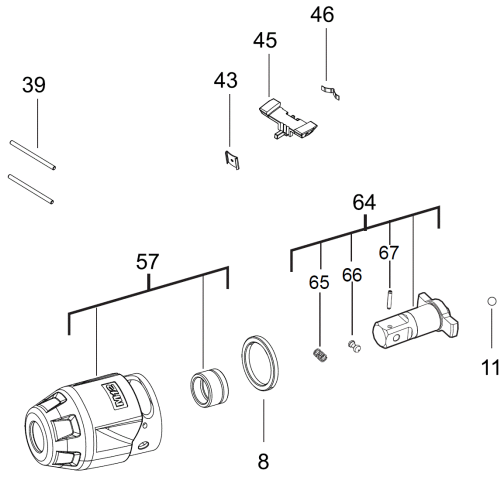
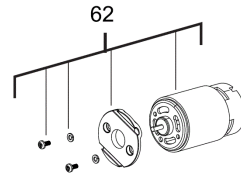
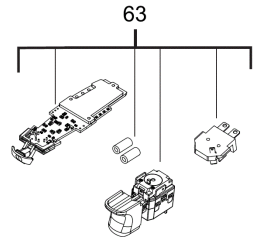
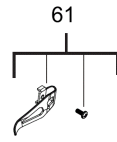
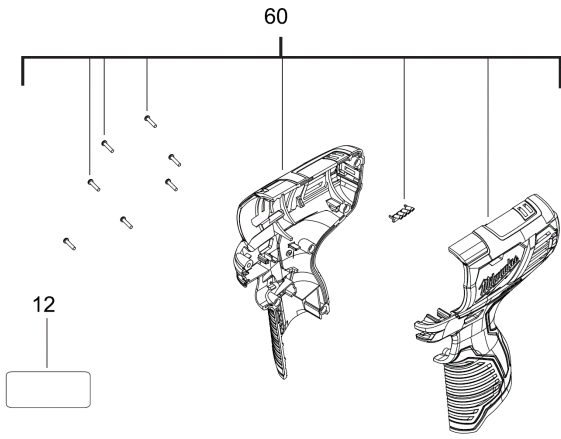


M12BIW12-202C BTY.IMPACT WRENCH IN2

4933447133 - M12BIW12-202C IN2 - 4000447179





Position	Quantity	Description	Part number	EAN
0008	1	RING	4931435780	4002395867578
0011	1	BALL	670219001	4002395849420
0012	1	RATING PLATE	4931447856	4002395883714
0038	2	PIN	4931435944	4002395885671
0039	2	PIN	4931435945	4002395885688
0043	1	JOINING PART	631542001	4002395822591
0045	1	SLIDING SWITCH	4931441968	4002395179244
0046	1	SPRING PLATE	4931452341	4002395172528
0057	1	GEAR HEAD	4931435947	4002395886302
0059	1	GEAR KIT	4931435949	4002395886326
0060	1	HANDLE SET	4931435950	4002395886333
0061	1	CLAMP	4931435760	4002395866175
0062	1	MOTOR ASSEMBLY	4931435951	4002395886340
0063	1	ELECTRONIC	4931435952	4002395886357
0064	1	ADAPTER SHANK	4931447858	4002395883721
0065	1	SPRING	4931436071	4002395878437
0066	1	PIN	4931436207	4002395883523
0067	1	PIN	4931436072	4002395878444
0700	1	CARRYING CASE	4931435953	4002395886364