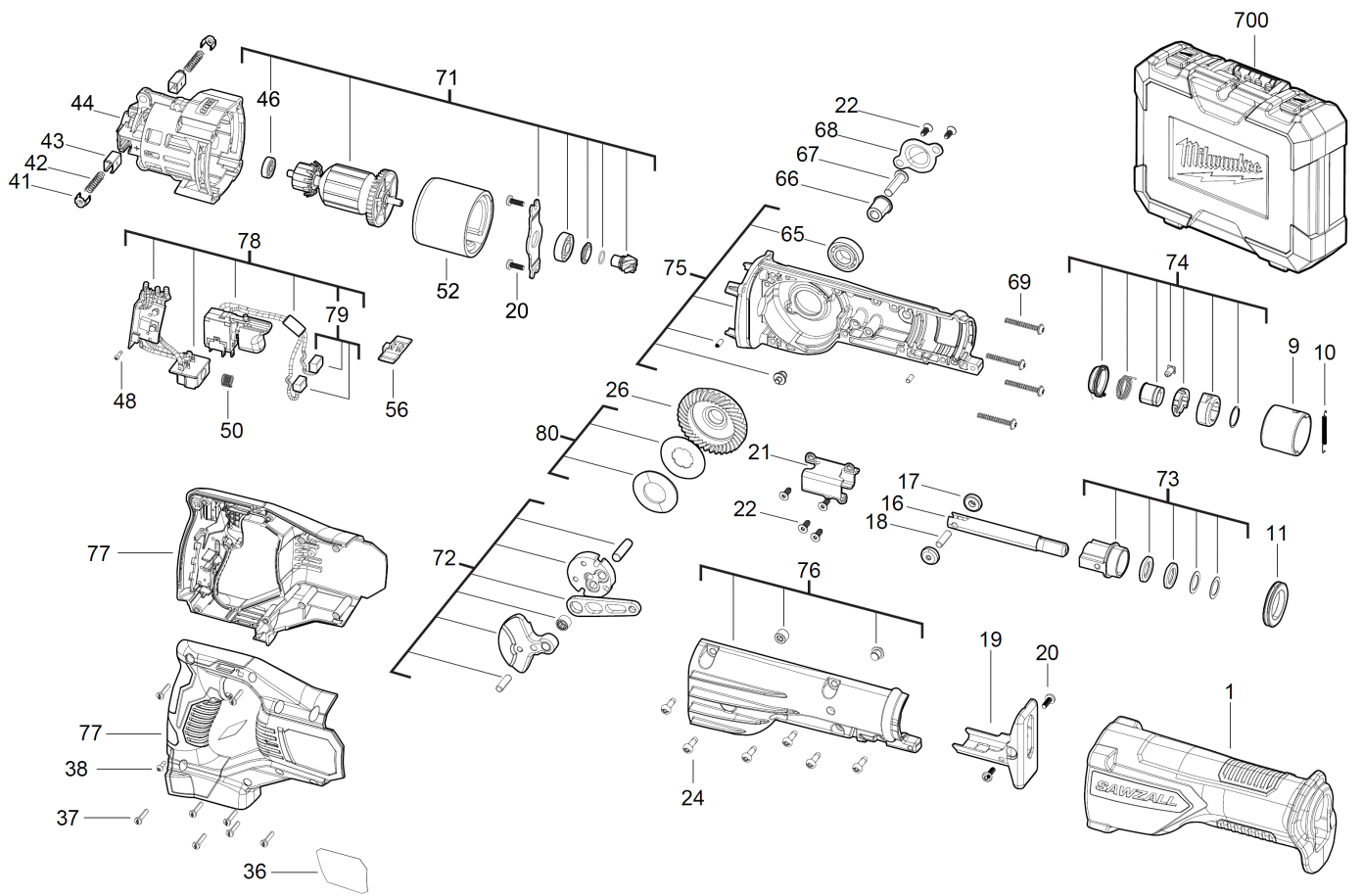


M18BSX-402C BATT.RECIPROCAT.SAW IN2

4933447285 - M 18BSX-402C IN2 - 4000447276





Position	Quantity	Description	Part number	EAN
0001	1	RUBBER BUFFER	4931436654	4002395256006
0009	1	CAM	4931436051	4002395876341
0010	1	SPRING	4931436050	4002395876334
0011	1	SEAL	4931436021	4002395877652
0016	1	SPINDLE	4931436023	4002395877676
0017	2	ROLL	4931436024	4002395877683
0018	1	BALANCE WEIGHT	4931436025	4002395877690
0019	1	SUPPORT	4931436634	4002395258000
0020	4	SCREW	4931436635	4002395258017
0021	1	STAMP	4931436028	4002395878321
0022	6	SCREW	4931436636	4002395258024
0024	6	SCREW	4931435528	4002395892440
0026	1	BEVEL GEAR PAIR	4931436637	4002395258031
0036	1	RATING PLATE	4931436638	4002395258048
0037	8	SCREW	06827261	4058546068967
0038	1	SCREW M3,5 Torx 10	660031023	4002395831623
0041	2	BRUSH HOLDER	4931436639	4002395258055
0042	2	SPRING	4931436640	4002395258062
0043	2	BRUSH HOLDER INSUL	4931436655	4002395256013
0044	1	MOTOR HOUSING	4931436642	4002395258086
0046	1	BALL BEARING	02040645	4058546067939
0048	1	SCREW	661081001	4002395830787
0050	1	PRESSURE SPRING	4931408243	4002395814466
0052	1	ELECTRIC FIELD	4931436643	4002395258093
0056	1	LOCK COMPLETE	4931436644	4002395258703
0065	1	BALL BEARING	4931436033	4002395878376
0066	1	DISTANCE HOLDER	4931436034	4002395172177
0067	1	SCREW	4931436035	4002395878383
0068	1	PLATE	4931436036	4002395878390
0069	4	SCREW	4931436564	4002395257614
0071	1	ARMATURE	4931436645	4002395258710
0072	1	CRANK ASSEMBLY	4931436046	4002395875696
0073	1	BUSH	4931436646	4002395258727
0074	1	ACCEPTANCE	4931436647	4002395258734
0075	1	GEAR BOX INSUL.LEFT	4931436648	4002395258741
0076	1	GEAR BOX INSU.RIGHT	4931436649	4002395258758
0077	1	HANDLE COMPL.	4931436650	4002395258765
0078	1	ELECTRIC ELEMENT	4931436651	4002395258772
0079	1	CARBON BRUSH SET	4931436652	4002395258789
0080	1	PLATE	4931436653	4002395258796
0700	1	CARRYING CASE	4931436641	4002395258079
0002	1	M12-18C BATTERY CHARGER IN2	4932352959	4002395376179