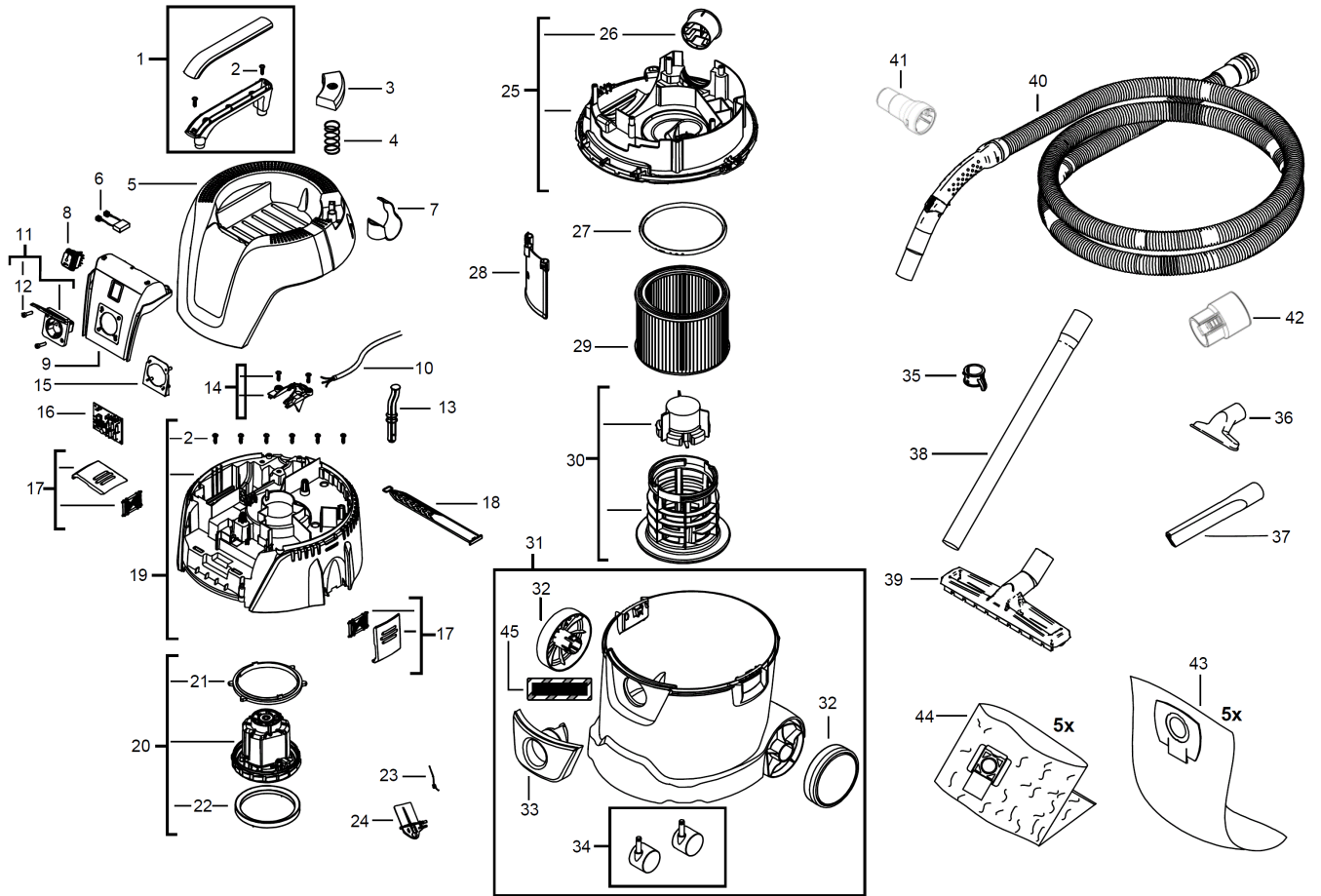


# AS2-250ELCP WET-DRY CLEANER IN2

4933447480 - AS2-250ELCP EU - 4000447481





Position	Quantity	Description	Part number	EAN
0001	1	HANDLE	5131000000	
0002	10	SCREW	4931448663	4002395261819
0003	1	BUTTON	5131000000	
0004	1	SPRING	5131000000	
0005	1	COVER	4931448698	4002395257133
0006	1	INTERFERENCE SUPPR.	4931448670	4002395258468
0007	1	HOOK	4931448699	4002395257140
0008	1	SWITCH	4931448665	4002395261833
0009	1	CONTROL PANEL KIT	5131000000	
0010	1	CONNECTION CABLE	4931416308	4002395797714
0011	1	WALL SOCKET	4931416260	4002395796458
0012	2	SCREW	5131000000	
0013	1	ROD CHOKE	4931448702	4002395257171
0014	1	CABLE	4931448671	4002395258475
0015	1	PLUG SOCKET	5131000000	
0016	1	ELECTRONIC ELEMENT	4931448672	4002395258482
0017	2	CLAMP	4931448673	4002395258499
0018	1	STRAP	4931448703	4002395257188
0019	1	HOLDING PLATE	5131000000	
0020	1	MOTOR	4931448675	4002395255719
0021	1	MOTOR SEAL	5131000000	
0022	1	SEAL RING	5131000000	
0023	1	SPRING ELEMENT	4931416271	4002395796564
0024	1	LID	4931448678	4002395255740
0025	1	BASE PLATE	4931448679	4002395255757
0026	1	INSERT	5131000000	
0027	1	SEAL	4931448681	4002395255771
0028	1	DEFLECTOR	4931448682	4002395255788
0030	1	FILTER HOLDER	4931416331	4002395797943
0031	1	TANK	4931448705	4002395257805
0032	2	WHEEL	4931448685	4002395256419
0033	1	ADAPTER	5131000000	
0034	1	WHEEL	4931448688	4002395256440
0035	1	HOLDER	4931448689	4002395256457
0036	1	NOZZLE	4931416283	4002395797080
0037	1	NOZZLE	4931416284	4002395797097
0038	1	SUCTION PIPE	4931416285	4002395797103
0039	1	FLOOR TOOL	4931448691	4002395256471
0040	1	SUCTION HOSE	4931448693	4002395256495
0041	1	ADAPTER	4931448692	4002395256488
0042	1	JOINING PART	4931447295	4002395879700
0045	1	ADHESIVE LABEL	5131000000	
0029	1	FILTER CARTRIDGE FILTER CARTDGE P1AM	4932352304	4002395369638
0043	1	FILTER (CLOTH) FILTER BAG 5 PC P5AM	4932352306	4002395369652
0044	1	FILTER (CLOTH) 30L PVC BAG X 5 P5AM	4932352309	4002395369683