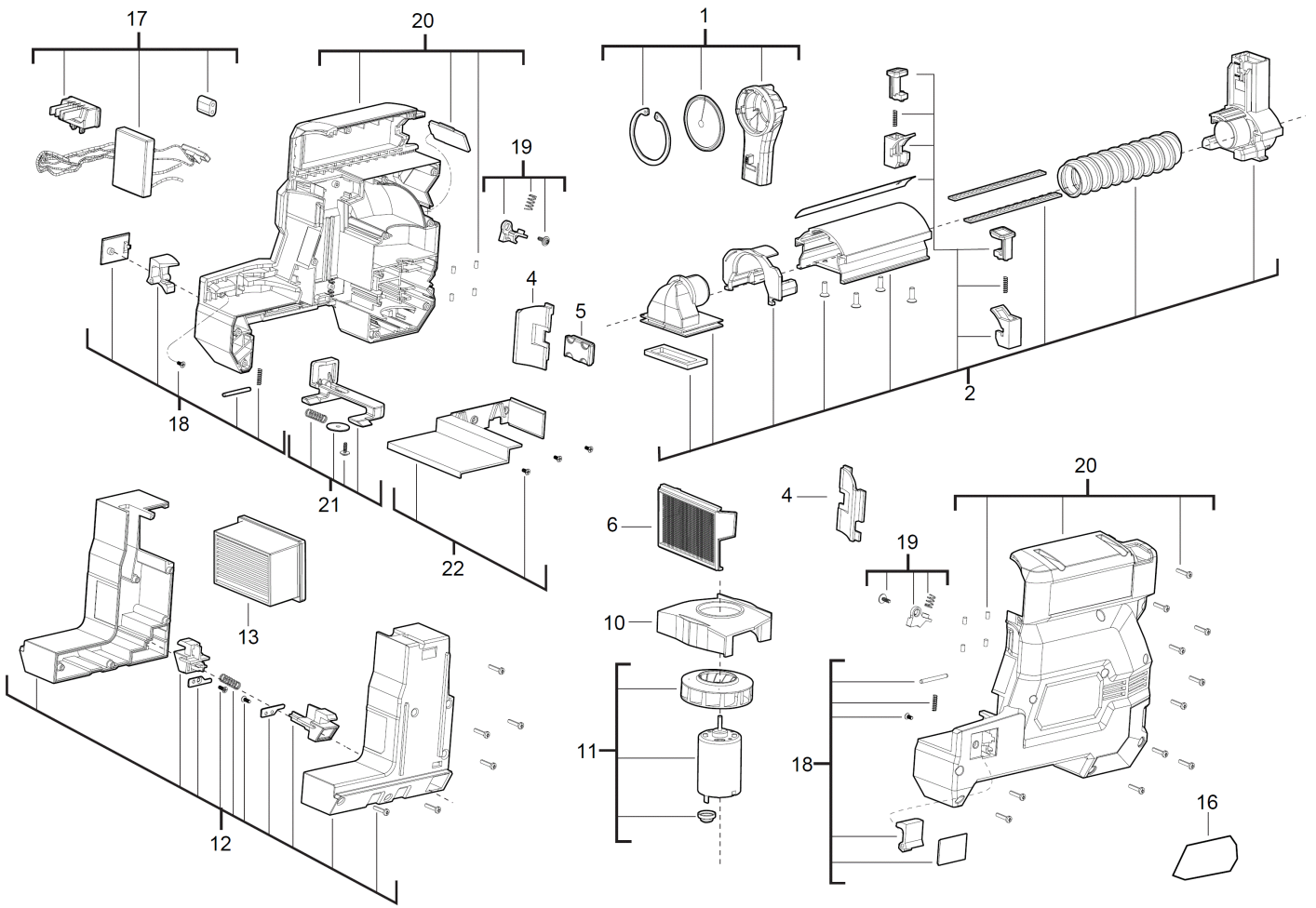


# M28CHPXDE-502C BTY. COMBI HAMMER IN2

4933448015 - M28CHPXDE-502C IN2 - 4000452467





Position	Quantity	Description	Part number	EAN
0001	1	M12 /18DE Nozzle-2pc NOZZLE	49902301	45242337279
0002	1	TUBE	4931436581	4002395257751
0004	1	INSERT	4931436584	4002395257782
0005	1	RUBBER BUFFER	4931436579	4002395257737
0006	1	PLATE	5131000000	
0010	1	FAN	4931436515	4002395249848
0011	1	ARMATURE	4931436516	4002395249855
0012	1	M18DE Filter Set-1pcSET	49902342	45242341948
0013	1	M12DE DUST FILTER FILTER - 3PC	49902306	45242299454
0016	1	RATING PLATE	5131000000	
0017	1	ELECT.CIRCUIT BOARD	4931436585	4002395257799
0018	1	LATCH BAR	4931436582	4002395257768
0019	1	LEVER	5131000000	
0020	1	HOUSING	4931436583	4002395257775
0021	1	BUTTON	4931436521	4002395250509
0022	1	COVER	4931436522	4002395250516
	1	M28C CHARGER IN2	4932352524	4002395371822
	2	M28B5-M28 5.0AH REDLITHIUM BATTERY XXX	4932430484	4002395381456