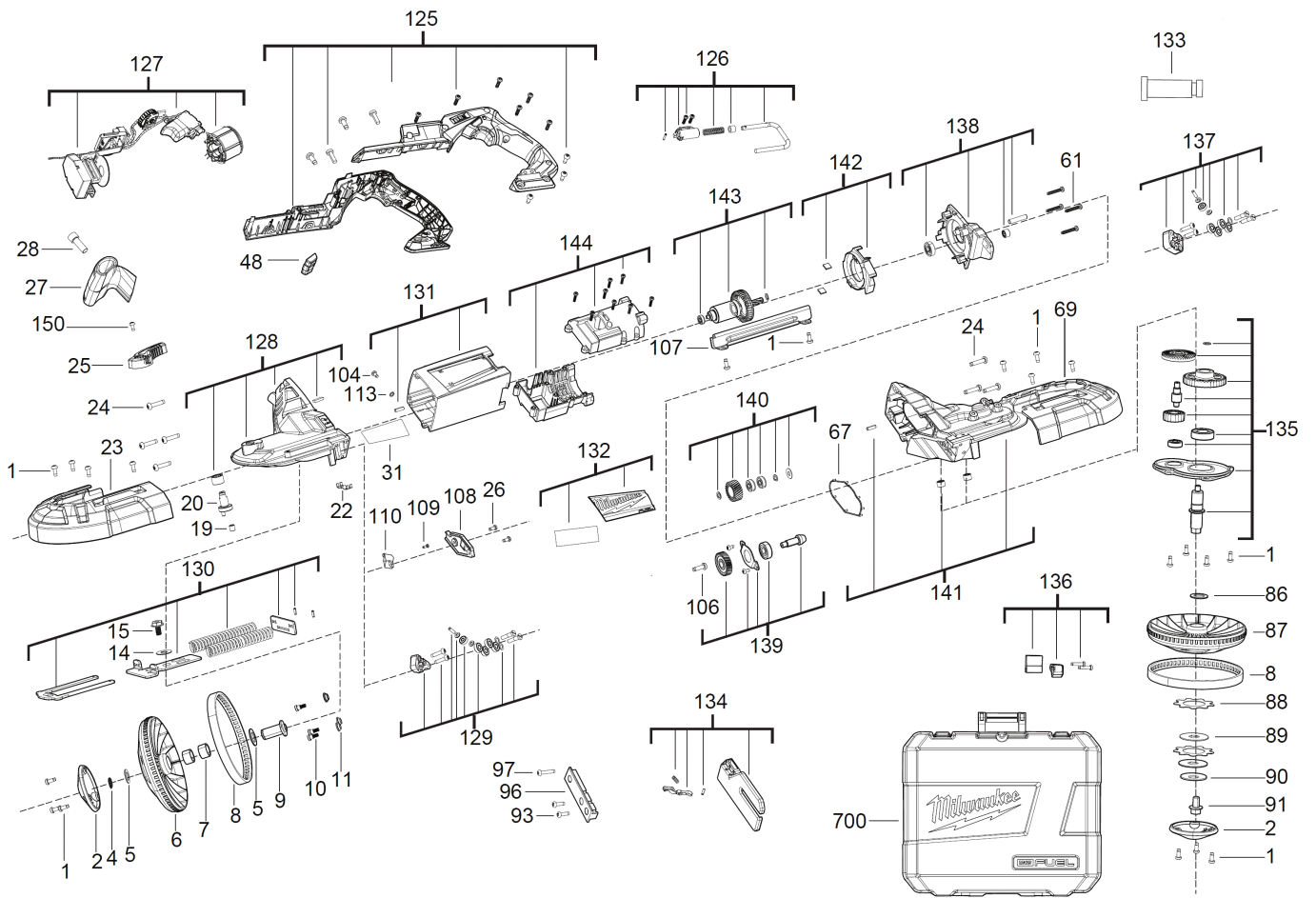


# M18CBS125-502C BTY. BAND SAW IN2

4933448195 - M18CBS125-502C - 4000447151





| Position | Quantity | Description         | Part number | EAN           |
|----------|----------|---------------------|-------------|---------------|
| 0001     | 23       | SCREW TORX SCREW    | 06825314    | 4002395851935 |
| 0002     | 2        | PULLEY              | 4931436230  | 4002395885480 |
| 0004     | 1        | PROTECTION WASHER   | 4931436231  | 4002395885497 |
| 0005     | 2        | SPACER              | 4931436232  | 4002395252008 |
| 0006     | 1        | PULLEY              | 4931436233  | 4002395252015 |
| 0007     | 2        | BUSH                | 4931436234  | 4002395252022 |
| 0008     | 2        | BELT                | 4931436235  | 4002395252039 |
| 0009     | 1        | BOLT                | 4931436236  | 4002395252046 |
| 0010     | 3        | SCREW               | 4931436237  | 4002395252053 |
| 0011     | 3        | BUSH                | 4931436238  | 4002395252060 |
| 0014     | 1        | WASHER              | 4931436239  | 4002395252077 |
| 0015     | 1        | SCREW               | 660988001   | 4002395903795 |
| 0019     | 1        | BUSH                | 4931436240  | 4002395252084 |
| 0020     | 1        | SHAFT               | 4931436241  | 4002395252091 |
| 0022     | 1        | STAMP               | 5131000000  |               |
| 0023     | 1        | PULLEY              | 4931436243  | 4002395252718 |
| 0024     | 7        | SCREW               | 4931436244  | 4002395252725 |
| 0025     | 1        | LEVER               | 4931436245  | 4002395252732 |
| 0026     | 3        | SCREW               | 660023001   | 4002395830060 |
| 0027     | 1        | HANDLE              | 4931436246  | 4002395252749 |
| 0028     | 1        | SCREW               | 4931436247  | 4002395252756 |
| 0031     | 1        | RATING PLATE        | 5131000000  |               |
| 0048     | 1        | PUSH-BUTTON         | 4931436249  | 4002395253456 |
| 0061     | 4        | SCREW               | 4931436250  | 4002395253449 |
| 0067     | 1        | SEAL                | 4931436251  | 4002395253463 |
| 0069     | 1        | SAW PROTECTION      | 4931436252  | 4002395253470 |
| 0086     | 1        | STAMP               | 4931436253  | 4002395253487 |
| 0087     | 1        | PULLEY              | 4931436254  | 4002395253494 |
| 0088     | 2        | COUPLING            | 4931436255  | 4002395254125 |
| 0089     | 2        | COUPLING            | 4931436256  | 4002395254132 |
| 0090     | 1        | SPRING WASHER       | 4931436718  | 4002395808953 |
| 0091     | 1        | SCREW               | 4931436258  | 4002395252770 |
| 0093     | 2        | SCREW               | 4931436259  | 4002395252787 |
| 0096     | 1        | COVER PLATE         | 4931436260  | 4002395254156 |
| 0097     | 1        | SCREW               | 4931436261  | 4002395252794 |
| 0104     | 3        | SCREW               | 4931435162  | 4002395860760 |
| 0106     | 1        | SCREW               | 5131000000  |               |
| 0107     | 1        | GUARD               | 4931436263  | 4002395254163 |
| 0108     | 1        | COVER               | 5131000000  |               |
| 0109     | 1        | SCREW               | 4931436265  | 4002395253418 |
| 0110     | 1        | Display             | 4931436266  | 4002395254187 |
| 0113     | 1        | PROTECTION WASHER   | 680866003   | 4002395823895 |
| 0125     | 1        | HANDLE COVER        | 4931436267  | 4002395253425 |
| 0126     | 1        | HOOK                | 4931436268  | 4002395254101 |
| 0127     | 1        | ELECTRIC ELEMENT    | 4931436269  | 4002395254194 |
| 0128     | 1        | PULLEY              | 4931436270  | 4002395254118 |
| 0129     | 1        | SUPPORT ROLL HOLDER | 4931436271  | 4002395254804 |
| 0130     | 1        | TENSION SPRING      | 4931436272  | 4002395254811 |
| 0131     | 1        | MOTOR HOUSING       | 4931436273  | 4002395253432 |
| 0132     | 1        | NAME PLATE          | 4931436274  | 4002395254828 |

| <b>Position</b> | <b>Quantité</b> | <b>Désignation</b>                  | <b>Référence</b> | <b>EAN</b>    |
|-----------------|-----------------|-------------------------------------|------------------|---------------|
| 0133            | 1               | GREASE                              | 49085271         | 4002395775415 |
| 0134            | 1               | ACCEPTANCE                          | 4931436275       | 4002395254835 |
| 0135            | 1               | GEAR BOX                            | 4931436276       | 4002395254842 |
| 0136            | 1               | BRUSH                               | 4931436277       | 4002395254859 |
| 0137            | 1               | GUIDE ROLLER                        | 4931436278       | 4002395254866 |
| 0138            | 1               | PACKING SET                         | 4931436279       | 4002395254873 |
| 0139            | 1               | BEVEL GEAR PAIR                     | 4931436280       | 4002395254880 |
| 0140            | 1               | GEAR BOX KIT                        | 4931436281       | 4002395254897 |
| 0141            | 1               | GEAR BOX COVER                      | 4931436282       | 4002395252107 |
| 0142            | 1               | FAN HOUSING                         | 5131000000       |               |
| 0143            | 1               | ARMATURE                            | 4931436284       | 4002395252121 |
| 0144            | 1               | MOTOR HOUSING                       | 4931436285       | 4002395252138 |
| 0150            | 1               | SCREW                               | 4931452223       | 4002395180370 |
| 0700            | 1               | CARRYING CASE                       | 4931436229       | 4002395885473 |
| 0001            | 2               | M18B5 LI-ION BATTERY PACK 5.0AH XXX | 4932430483       | 4002395381449 |