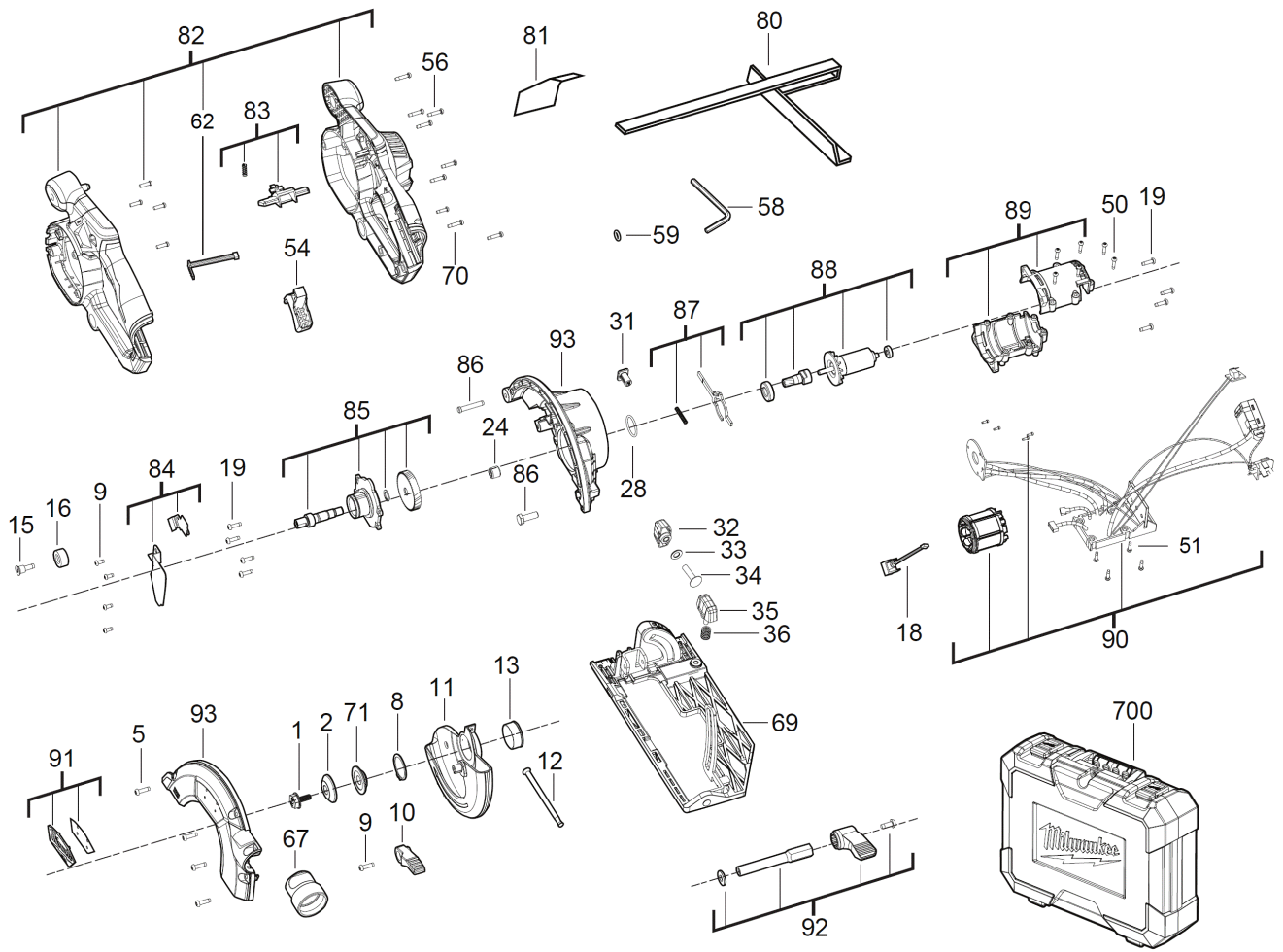


M12CCS44-402C BATTERY CIRCUL.SAW IN2

4933448235 - M12 CCS44-402C - 4000448226





Position	Quantity	Description	Part number	EAN
0001	1	SCREW	4931436670	4002395257508
0002	1	FLANGE	4931436671	4002395257515
0005	1	SCREW	660165011	4002395903702
0008	1	RING	4931436672	4002395257522
0009	1	SCREW	4931436673	4002395257539
0010	1	LEVER	4931436674	4002395257546
0011	1	GUARD	4931436675	4002395257553
0012	1	SPRING	692687001	4002395849109
0013	1	SLEEVE	4931436676	4002395257560
0015	1	SCREW	45040485	4058546074258
0016	1	RUBBER BUFFER	4931465876	4058546239763
0018	1	INDICATOR SET	4931436677	4002395257577
0019	1	SUPPORT ROLL HOLDER	5131000000	
0024	1	NEEDLE BEARING	4931435696	4002395864492
0028	1	O-RING	4931436679	4002395257591
0031	1	PUSH-BUTTON	5131000000	
0032	1	TRIGGER	4931436114	4002395881420
0033	1	WASHER	45881560	4058546074845
0034	1	SCREW	4931436681	4002395258215
0035	1	TRIGGER	4931436113	4002395881413
0036	1	SPRING	40500650	4058546072742
0050	1	SCREW	660230009	4002395823222
0051	1	SCREW	660230016	4002395849840
0054	1	TRIGGER	4931436682	4002395258222
0056	1	SCREW	660031017	4002395825189
0058	1	KEY	4931436125	4002395878734
0059	1	O-RING	34404480	4058546072193
0062	1	CONNECTOR	5131000000	
0067	1	SUCTION SLEEVE	4931436684	4002395258246
0069	1	BASE PLATE	4931436685	4002395258253
0070	1	SCREW	4931436686	4002395258260
0071	1	FLANGE	4931436687	4002395258277
0080	1	PARALLEL GUIDE	4931436688	4002395258284
0081	1	RATING PLATE	5131000000	
0082	1	HANDLE	4931436690	4002395258291
0083	1	PUSH-BUTTON	4931436691	4002395258901
0084	1	STAMP	5131000000	
0085	1	GEAR BOX	4931436693	4002395258925
0086	1	BOLT SET	5131000000	
0087	1	SPRING	5131000000	
0088	1	ARMATURE	4931436696	4002395258956
0089	1	MOTOR HOUSING	4931436697	4002395258963
0090	1	ELECTRIC FIELD	4931436698	4002395258970
0091	1	NAME PLATE	4931436699	4002395258987
0092	1	REBATE DEPTH GAUGE	4931436700	4002395258994
0093	1	HOUSING	4931436701	4002395263554
0700	1	CARRYING CASE	4931436702	4002395263561