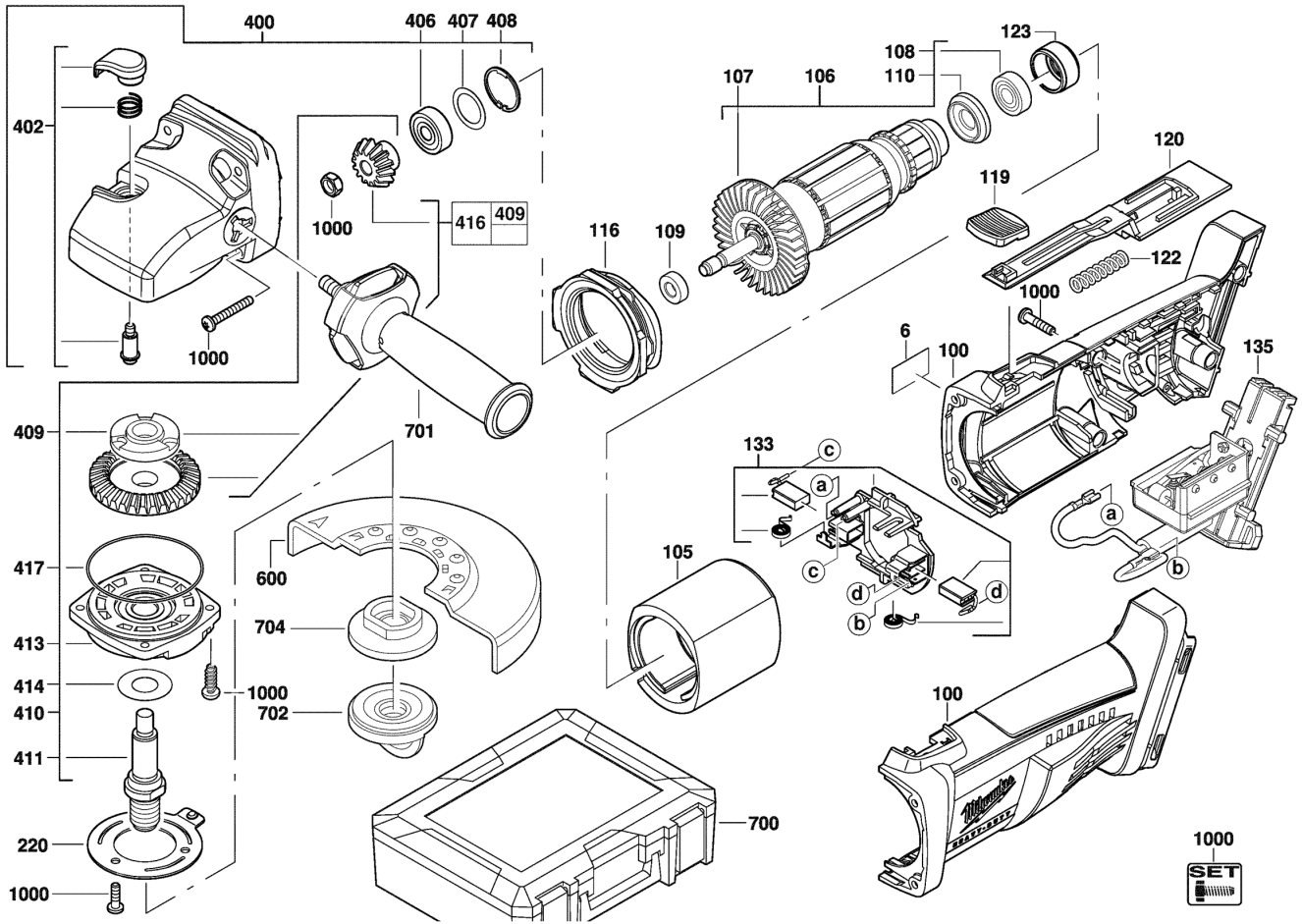


HD28AG115-502X BTY. ANGLE GRINDER IN2

4933448540 - HD28AG115-502X - 4000417947





Position	Quantity	Description	Part number	EAN
0006	1	RATING PLATE	4931417948	4002395848911
0100	1	HOUSING	4931407225	4002395788996
0105	1	ELECTRIC FIELD	4931392390	4002395738809
0106	1	MODIFICATION SET	4931395090	4002395829019
0107	1	FAN	4931342793	4002395628544
0108	1	BALL BEARING	4931624661	4002395790906
0110	1	INSULATING DISC	4931392383	4002395747405
0116	1	AIR DEFLECTOR RING	4931401686	4002395765898
0119	1	SLIDER	4931401676	4002395765874
0120	1	SWITCH LEVER	4931401755	4002395780600
0122	1	PRESSURE SPRING	4931327696	4002395608942
0123	1	RUBBER SLEEVE	4931351729	4002395640553
0133	1	BRUSH HOLDER	290627001	4002395850600
0135	1	ELECTRONIC	4931381797	4002395858170
0220	1	SPRING WASHER	4931345965	4002395633623
0400	1	GEAR BOX	4931407748	4002395812806
0402	1	LOCK COMPLETE	4931358685	4002395652471
0406	1	BALL BEARING	4931624662	4002395790890
0407	1	SEALING WASHER 21,8X15,8X0,2	4931803914	4002395705856
0408	1	LOCKING RING D 472 22X1	4931613683	4002395694181
0409	1	LOCKING DISC	4931401692	4002395766666
0410	1	DRIVE GEAR	4931409593	4002395826247
0411	1	SPINDLE	4931409808	4002395837168
0413	1	BEARING END PLATE	4931378310	4002395683789
0414	1	DISC	4931623480	4002395702398
0416	1	BEVEL GEAR PAIR	4931409564	4002395826223
0417	1	SEAL RING	4931623590	4002395702992
0600	1	GUARD CAP	4931407641	4002395798827
0700	1	CARRYING CASE	4931415375	4002395825776
0701	1	HANDLE	4931398507	4002395768486
1000	1	CONNECTION SET	4931401695	4002395766499
	1	M28C CHARGER IN2	4932352524	4002395371822
	2	M28B5-M28 5.0AH REDLITHIUM BATTERY XXX	4932430484	4002395381456
0702	1	FIXTEC NUT M14 P1A	4932358225	4002395325528
0704	1	CLAMPING FLANGE WS115-230 P1 A/M	4932449324	4002395245185