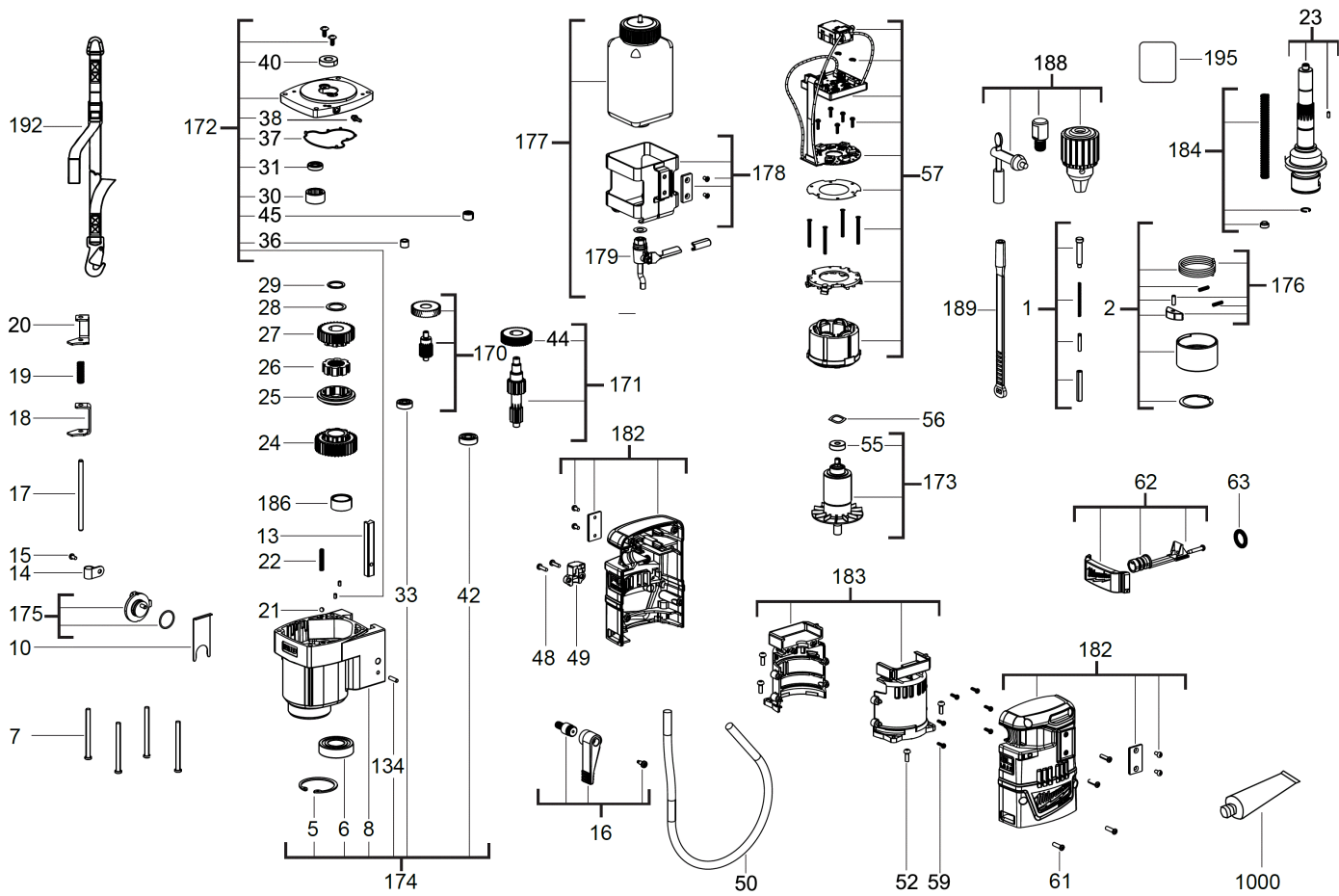
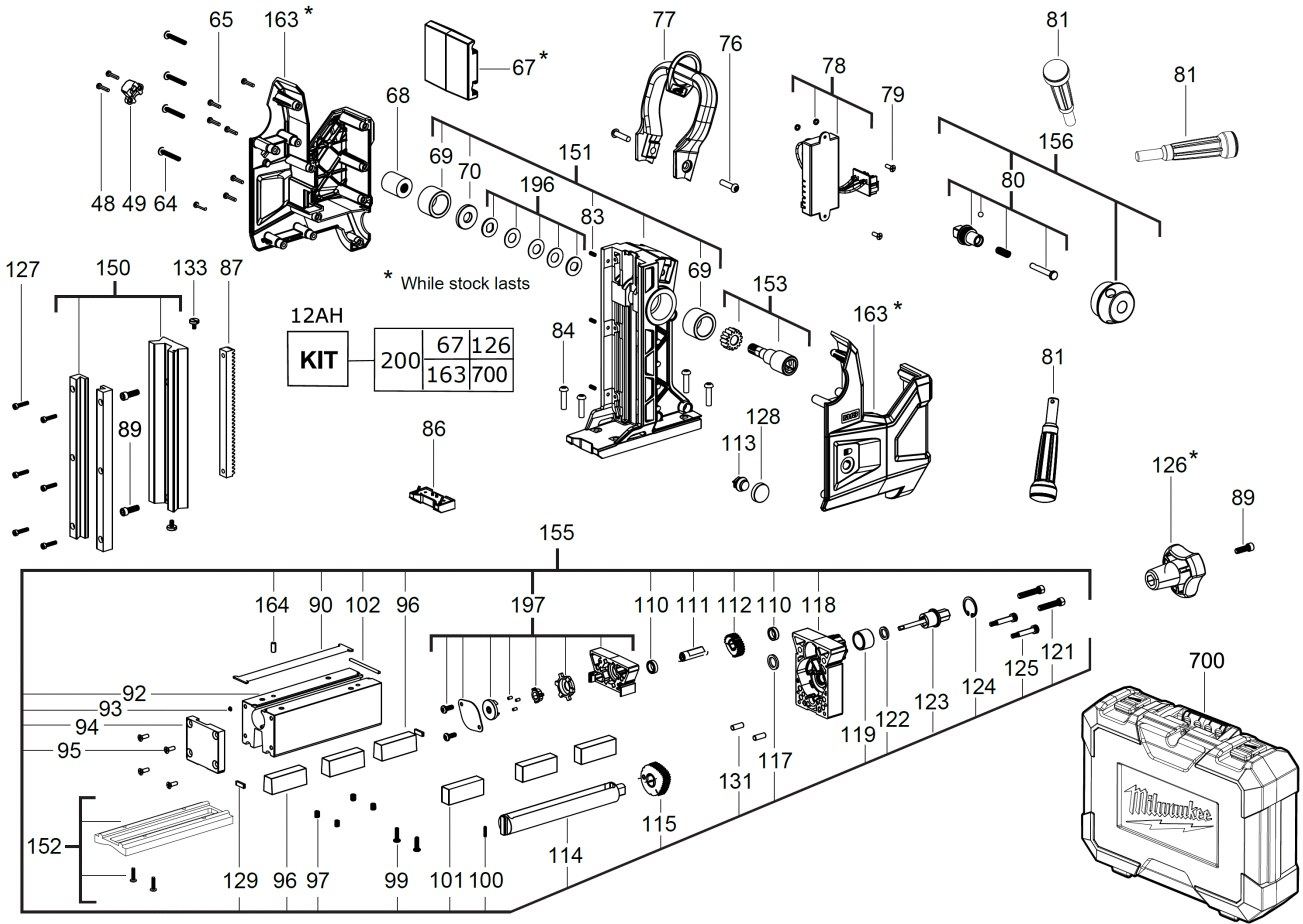


M18FMDP-502C MAGNETIC DRILL STAND IN2

4933451012 - M18FMDP-502C IN2 - 4000452154







Position	Quantity	Description	Part number	EAN
0001	1	EJECTOR	4931453091	4002395150656
0002	1	CHUCK SHROUD	4931453092	4002395150663
0005	1	RETAINING RING	4931453093	4002395150670
0006	1	BALL BEARING	4931453094	4002395150687
0007	4	SCREW	4931453095	4002395150694
0008	1	GEAR BOX ASSY	4931453096	4002395151301
0010	1	RETAINING PLATE	4931453097	4002395151318
0013	1	LOCKING ROD	4931453098	4002395151325
0014	1	CABLE CLAMP	4931453099	4002395151332
0015	1	SCREW	4931453100	4002395151349
0016	1	CLAMPING LEVER	4931456260	4002395173969
0017	1	GUIDE BOLT	4931453101	4002395151356
0018	1	HOLDING BRACKET	4931453102	4002395151363
0019	1	SPRING	4931453103	4002395151370
0020	1	HOLDING BRACKET	4931453104	4002395151387
0021	1	BALL BEARING	4931453105	4002395151394
0022	1	SPRING	4931453106	4002395152001
0023	1	OUTPUT SHAFT KIT	4931453107	4002395152018
0024	1	GEAR	4931453108	4002395152025
0025	1	COUPLING	4931453109	4002395152032
0026	1	HUB	4931453110	4002395152049
0027	1	GEAR	4931453111	4002395152056
0028	1	WASHER	680335077	4002395849925
0029	1	RETAINING RING	4931453112	4002395152063
0030	1	NEEDLE BEARING	4931453113	4002395152070
0031	1	SEAL	4931453114	4002395152087
0033	1	BALL BEARING	02040640	4058546067922
0036	1	NEEDLE BEARING	02502400	4058546068233
0037	1	SEAL	4931453115	4002395152094
0038	1	FLAT GREASE NIPPLE	4931454085	4002395288205
0040	1	BALL BEARING	4931453116	4002395152704
0042	1	BALL BEARING	4931453117	4002395152711
0044	1	GEAR	4931453118	4002395152728
0045	1	NEEDLE BEARING	5131000000	
0048	4	SCREW	4931453119	4002395152735
0049	2	CABLE CLAMP	5131000000	
0050	1	CABLE	4931453121	4002395152759
0052	4	SCREW	4931446540	4002395876259
0055	1	BALL BEARING	4931436119	4002395881475
0056	1	WASHER	4931453122	4002395152766
0057	1	ELECTRONIC	4931453123	4002395152773
0059	6	SCREW	660570005	4002395827329
0061	4	SCREW	4931453124	4002395152780
0062	1	SWITCH COVER	4931453125	4002395152797
0063	1	SPRING	4931453126	4002395153404
0064	4	SCREW	4931453127	4002395153411
0065	7	SCREW	4931453124	4002395152780
0067	1	COVER PLATE	4931453128	4002395153435
0068	1	BIT GUIDE	4931453129	4002395153442
0069	2	BUSHING	4931453130	4002395153459

Position	Quantité	Désignation	Référence	EAN
0070	1	COMPENSATION PLATE	4931453131	4002395153466
0076	2	SCREW	4931453132	4002395153473
0077	1	HANDLE	4931453133	4002395153480
0078	1	ELECTRIC ELEMENT	4931453134	4002395153497
0079	2	SCREW	5131000000	
0080	1	SPINDLE LOCK	4931453136	4002395150717
0081	3	OPERATING HANDLE	4931453137	4002395150724
0083	3	SCREW	5131000000	
0084	4	SCREW	4931453138	4002395150731
0086	1	ELECTRIC ELEMENT	4931453139	4002395150748
0087	1	TOOTH RACK	4931453140	4002395150755
0089	3	SCREW	4931453141	4002395150762
0090	1	COVER	4931453142	4002395150779
0092	1	MAGNETIC FOOT	4931453143	4002395150786
0093	1	RIVET	4931453144	4002395150793
0094	1	COVER	4931453145	4002395151400
0095	4	SCREW	661319001	4002395829828
0096	3	MAGNET	5131000000	
0097	4	THREADED SLEEVE	5131000000	
0099	4	SCREW	4931453148	4002395151431
0100	1	CYLINDER PIN	4931453149	4002395151448
0101	3	MAGNET	4931453150	4002395151455
0102	1	LEDGE	5131000000	
0110	2	BUSHING	4931453152	4002395151479
0111	1	SHAFT	4931453153	4002395151486
0112	1	GEAR	4931453154	4002395151493
0113	1	SWITCH	4931453155	4002395152100
0114	1	MAGNET.DISC FASTEN.	4931453156	4002395152117
0115	1	GEAR	4931453157	4002395152124
0117	1	WASHER	4931453158	4002395152131
0118	1	GEAR COVER	4931453159	4002395152148
0119	1	BUSHING	4931453160	4002395152155
0121	2	SCREW	5131000000	
0122	1	RUBBER RING	4931453162	4002395152179
0123	1	SHAFT	4931453163	4002395152186
0124	1	RETAINING RING	4931453164	4002395152193
0125	2	FASTENING BOLT	5131000000	
0126	1	TURNING KNOB	4931453166	4002395152810
0127	6	SCREW	4931453167	4002395152827
0128	1	SWITCH COVER	4931453168	4002395152834
0129	2	LEDGE	5131000000	
0131	2	PIN	4931453170	4002395152858
0133	2	SCREW	4931453171	4002395152865
0134	1	CYLINDER PIN	4931453172	4002395152872
0150	1	HOLDING DEVICE	4931453173	4002395152889
0151	1	MAGNETIC FOOT	4931453174	4002395152896
0152	1	MAG. DRILL PIPE ADAPT.-1PC	48100130	45242362882
0153	1	GEAR BOX KIT	4931453175	4002395153503
0155	1	KIT	4931453176	4002395153510
0156	1	FEED SPINDLE	4931453177	4002395153527

Position	Quantité	Désignation	Référence	EAN
0163	1	HOUSING	4931453178	4002395153534
0164	1	CYLINDER PIN	4931453179	4002395153541
0170	1	REDUCTION GEAR	4931453180	4002395153558
0171	1	REDUCTION GEAR	4931453181	4002395153565
0172	1	KIT	4931453182	4002395153572
0173	1	ARMATURE ASSEMBLY	4931453183	4002395153589
0174	1	GEAR BOX ASSY	4931453213	4002395151868
0175	1	TURNING KNOB	4931453184	4002395150809
0176	1	KIT	4931453185	4002395150816
0177	1	OIL CUP ASSEMBLY	4931453186	4002395150823
0178	1	KIT	4931453187	4002395150830
0179	1	VALVE	4931453188	4002395150847
0182	1	HOUSING SET ASSY	4931453189	4002395150854
0183	1	HOUSING	4931453190	4002395150861
0184	1	EJECTOR	4931453191	4002395150878
0186	1	BUSHING	4931453192	4002395150885
0188	1	CHUCK W KEY AND ADAPT.-1PC	49590020	45242364053
0189	1	KEY HOLDER	4931453193	4002395150892
0192	1	SAFETY STRAP	4931453194	4002395151509
0195	1	RATING PLATE	4931453195	4002395151516
0196	1	Adjust. washer set	4931453196	4002395151523
0197	1	KIT	4931453197	4002395151530
0200	1	SET POWERPACK SPAREPART	4931466416	4058546276331
0285	1	FLAT GREASE NIPPLE	4931454085	4002395288205
0700	1	CARRYING CASE	4931453198	4002395151547
1000	1	GREASE	49085270	4058546075040