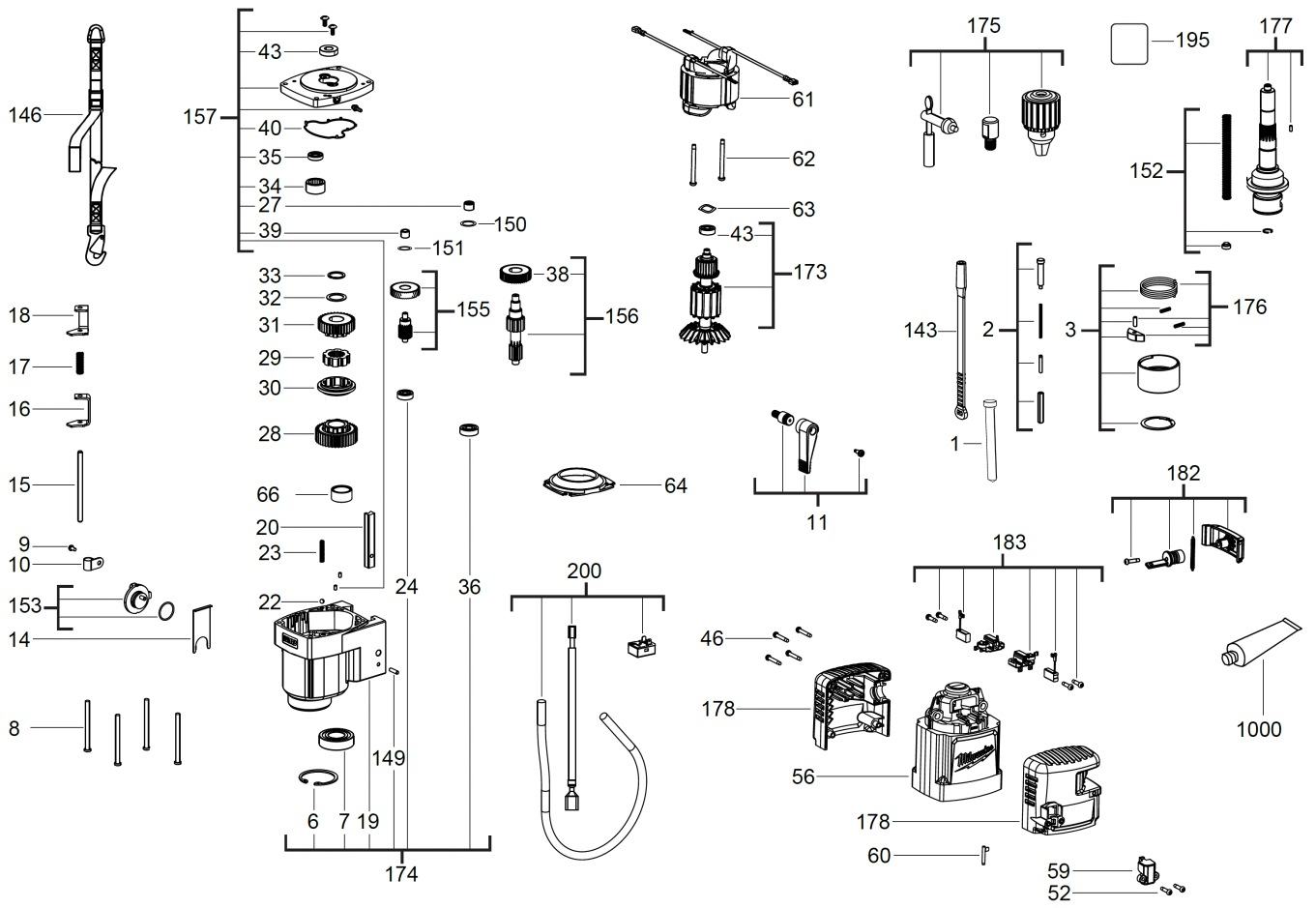
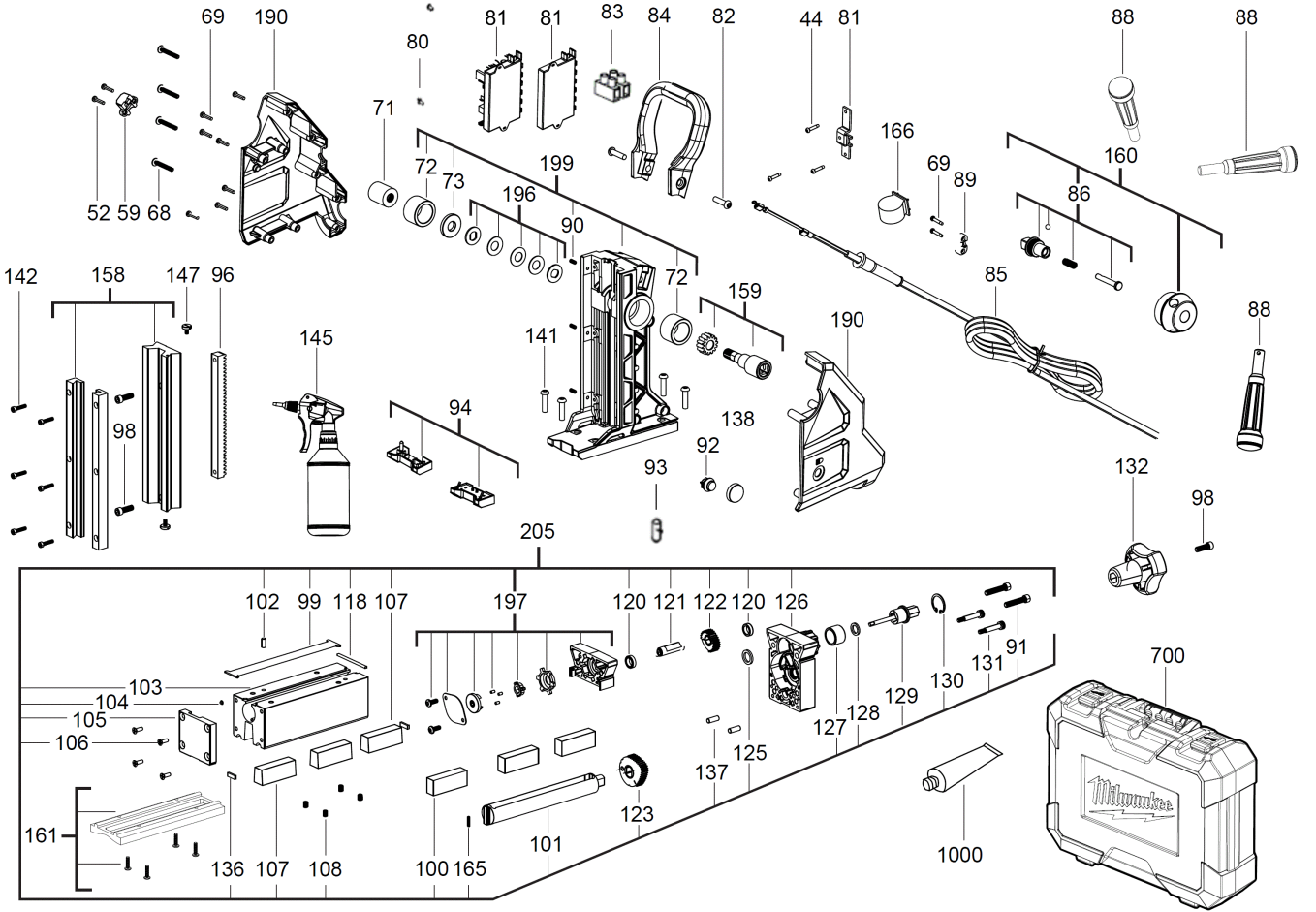


MDP41 Magnetic Drill Stand IN2

4933451014 - MDP41 - 4000452343







| Position | Quantity | Description | Part number | EAN |
|----------|----------|--------------------|-------------|---------------|
| 10001 | 1 | GUIDE BOLT | 4931453396 | 4002395147861 |
| 10002 | 1 | GUIDE BAR | 4931453397 | 4002395147878 |
| 10003 | 1 | CHUCK SHROUD | 4931453092 | 4002395150663 |
| 10006 | 1 | RETAINING RING | 4931453093 | 4002395150670 |
| 10007 | 1 | BALL BEARING | 4931453094 | 4002395150687 |
| 10008 | 4 | SCREW | 4931453398 | 4002395147885 |
| 10009 | 1 | SCREW | 4931453100 | 4002395151349 |
| 10010 | 1 | CABLE CLAMP | 4931453099 | 4002395151332 |
| 10011 | 1 | CLAMPING LEVER | 4931456260 | 4002395173969 |
| 10014 | 1 | RETAINING PLATE | 4931453097 | 4002395151318 |
| 10015 | 1 | GUIDE BOLT | 4931453101 | 4002395151356 |
| 10016 | 1 | HOLDING BRACKET | 4931453102 | 4002395151363 |
| 10017 | 1 | SPRING | 4931453103 | 4002395151370 |
| 10018 | 1 | HOLDING BRACKET | 4931453104 | 4002395151387 |
| 10019 | 1 | GEAR BOX | 4931453399 | 4002395147892 |
| 10020 | 1 | LOCKING ROD | 4931453098 | 4002395151325 |
| 10022 | 1 | BALL BEARING | 4931453105 | 4002395151394 |
| 10023 | 1 | SPRING | 4931453106 | 4002395152001 |
| 10024 | 1 | BALL BEARING | 02040640 | 4058546067922 |
| 10027 | 1 | NEEDLE BEARING | 02502400 | 4058546068233 |
| 10028 | 1 | WORM GEAR WHEEL | 4931453400 | 4002395148509 |
| 10029 | 1 | HUB | 4931453110 | 4002395152049 |
| 10030 | 1 | COUPLING | 4931453109 | 4002395152032 |
| 10031 | 1 | WORM GEAR WHEEL | 4931453401 | 4002395148516 |
| 10032 | 1 | WASHER 24x17,8x0,8 | 680335077 | 4002395849925 |
| 10033 | 1 | RETAINING RING | 4931453112 | 4002395152063 |
| 10034 | 1 | NEEDLE BEARING | 4931453113 | 4002395152070 |
| 10035 | 1 | SEAL | 4931453114 | 4002395152087 |
| 10036 | 1 | BALL BEARING | 4931453402 | 4002395148523 |
| 10038 | 1 | WORM GEAR WHEEL | 4931453403 | 4002395148530 |
| 10039 | 1 | NEEDLE BEARING | 4931453404 | 4002395148547 |
| 10040 | 1 | SEAL | 4931453115 | 4002395152094 |
| 10043 | 2 | BALL BEARING | 681337001 | 4002395826988 |
| 10046 | 4 | SCREW | 4931436769 | 4002395179183 |
| 10052 | 4 | SCREW | 660024030 | 4002395826957 |
| 10056 | 1 | MOTOR HOUSING | 4931453406 | 4002395148561 |
| 10059 | 2 | CLAMP | 4931453407 | 4002395148585 |
| 10060 | 1 | PIN | 4931453408 | 4002395148592 |
| 10061 | 1 | ELECTRIC FIELD | 4931453409 | 4002395149209 |
| 10062 | 2 | SCREW | 4931453410 | 4002395149216 |
| 10063 | 1 | WASHER | 4931453411 | 4002395149223 |
| 10064 | 1 | AIR DEFLECTOR RING | 4931453412 | 4002395149230 |
| 10066 | 1 | BUSHING | 4931453192 | 4002395150885 |
| 10143 | 1 | KEY HOLDER | 4931453193 | 4002395150892 |
| 10146 | 1 | SAFETY STRAP | 4931453194 | 4002395151509 |
| 10149 | 1 | CYLINDER PIN | 4931453172 | 4002395152872 |
| 10150 | 1 | WASHER | 4931453424 | 4002395149957 |
| 10151 | 1 | WASHER | 4931453425 | 4002395149964 |
| 10152 | 1 | EJECTOR | 4931453191 | 4002395150878 |
| 10153 | 1 | TURNING KNOB | 4931453184 | 4002395150809 |

| Position | Quantité | Désignation | Référence | EAN |
|----------|----------|----------------------------|------------|---------------|
| 10155 | 1 | PINION | 4931453426 | 4002395149971 |
| 10156 | 1 | PINION | 4931453427 | 4002395149988 |
| 10157 | 1 | GEAR BOX COVER | 4931453428 | 4002395149995 |
| 10173 | 1 | MOTOR ASSEMBLY | 4931453430 | 4002395147212 |
| 10174 | 1 | GEAR KIT | 4931453431 | 4002395147229 |
| 10175 | 1 | CHUCK W KEY AND ADAPT.-1PC | 49590020 | 45242364053 |
| 10176 | 1 | KIT | 4931453185 | 4002395150816 |
| 10177 | 1 | OUTPUT SHAFT KIT | 4931453107 | 4002395152018 |
| 10178 | 1 | HOUSING | 4931453432 | 4002395147236 |
| 10182 | 1 | SWITCH KIT | 4931453433 | 4002395147243 |
| 10183 | 1 | CARBON BRUSH SET | 4931453434 | 4002395147250 |
| 10195 | 1 | RATING PLATE | 4931453436 | 4002395147274 |
| 10200 | 1 | WIRE | 4931453438 | 4002395147298 |
| 11000 | 1 | GREASE | 49085270 | 4058546075040 |
| 20044 | 3 | SCREW | 4931453405 | 4002395148554 |
| 20068 | 4 | SCREW | 4931453127 | 4002395153411 |
| 20069 | 8 | SCREW | 4931453124 | 4002395152780 |
| 20071 | 1 | BIT GUIDE | 4931453129 | 4002395153442 |
| 20072 | 2 | BUSHING | 4931453130 | 4002395153459 |
| 20073 | 1 | COMPENSATION PLATE | 4931453131 | 4002395153466 |
| 20080 | 2 | SCREW | 4931453413 | 4002395149247 |
| 20081 | 1 | ELECTRIC ELEMENT | 4931453414 | 4002395149254 |
| 20082 | 2 | SCREW | 4931453132 | 4002395153473 |
| 20083 | 1 | CONNECTOR | 4931453415 | 4002395149261 |
| 20084 | 1 | HANDLE | 4931453133 | 4002395153480 |
| 20085 | 1 | CONNECTION CABLE | 4931453417 | 4002395149285 |
| 20086 | 1 | SPINDLE LOCK | 4931453136 | 4002395150717 |
| 20088 | 3 | OPERATING HANDLE | 4931453137 | 4002395150724 |
| 20089 | 1 | CABLE CLAMP | 4931453418 | 4002395149292 |
| 20090 | 3 | SCREW | 5131000000 | |
| 20091 | 4 | SCREW | 4931453138 | 4002395150731 |
| 20092 | 1 | SWITCH | 4931453155 | 4002395152100 |
| 20093 | 1 | CYLINDER PIN | 4931453179 | 4002395153541 |
| 20094 | 1 | ELECTRONIC | 4931453419 | 4002395149902 |
| 20096 | 1 | TOOTH RACK | 4931453140 | 4002395150755 |
| 20098 | 3 | SCREW | 4931453141 | 4002395150762 |
| 20099 | 1 | COVER | 4931453142 | 4002395150779 |
| 20100 | 3 | MAGNET | 4931453150 | 4002395151455 |
| 20101 | 1 | MAGNET.DISC FASTEN. | 4931453156 | 4002395152117 |
| 20102 | 1 | CYLINDER PIN | 4931453149 | 4002395151448 |
| 20103 | 1 | MAGNETIC FOOT | 4931453143 | 4002395150786 |
| 20104 | 1 | RIVET | 4931453144 | 4002395150793 |
| 20105 | 1 | COVER | 4931453420 | 4002395149919 |
| 20106 | 4 | SCREW | 661319001 | 4002395829828 |
| 20107 | 3 | MAGNET | 5131000000 | |
| 20108 | 4 | THREADED SLEEVE | 5131000000 | |
| 20118 | 1 | LEDGE | 5131000000 | |
| 20120 | 2 | BUSHING | 4931453152 | 4002395151479 |
| 20121 | 1 | SHAFT | 4931453153 | 4002395151486 |
| 20122 | 1 | GEAR | 4931453154 | 4002395151493 |

| Position | Quantité | Désignation | Référence | EAN |
|----------|----------|----------------------------|------------|---------------|
| 20123 | 1 | GEAR | 4931453157 | 4002395152124 |
| 20125 | 1 | WASHER | 4931453158 | 4002395152131 |
| 20126 | 1 | GEAR BOX HOUSING | 4931453421 | 4002395149926 |
| 20127 | 1 | BUSHING | 4931453160 | 4002395152155 |
| 20128 | 1 | RUBBER RING | 4931453162 | 4002395152179 |
| 20129 | 1 | SHAFT | 4931453163 | 4002395152186 |
| 20130 | 1 | RETAINING RING | 4931453164 | 4002395152193 |
| 20131 | 2 | FASTENING BOLT | 5131000000 | |
| 20132 | 1 | KNOB | 4931453422 | 4002395149933 |
| 20136 | 2 | LEDGE | 5131000000 | |
| 20137 | 2 | PIN | 4931453170 | 4002395152858 |
| 20138 | 1 | SWITCH COVER | 4931453168 | 4002395152834 |
| 20141 | 4 | SCREW | 4931453138 | 4002395150731 |
| 20142 | 6 | SCREW | 4931453167 | 4002395152827 |
| 20145 | 1 | TANK | 4931453423 | 4002395149940 |
| 20147 | 2 | SCREW | 4931453171 | 4002395152865 |
| 20158 | 1 | HOLDING DEVICE | 4931453173 | 4002395152889 |
| 20159 | 1 | GEAR BOX KIT | 4931453175 | 4002395153503 |
| 20160 | 1 | FEED SPINDLE | 4931453177 | 4002395153527 |
| 20161 | 1 | MAG. DRILL PIPE ADAPT.-1PC | 48100130 | 45242362882 |
| 20165 | 1 | CYLINDER PIN | 4931453149 | 4002395151448 |
| 20166 | 1 | MAGNET | 4931453429 | 4002395147205 |
| 20190 | 1 | HOUSING | 4931453435 | 4002395147267 |
| 20196 | 1 | Adjust. washer set | 4931453196 | 4002395151523 |
| 20197 | 1 | KIT | 4931453197 | 4002395151530 |
| 20199 | 1 | FOOT | 4931453437 | 4002395147281 |
| 20205 | 2 | MAG BASE PLATE | 4931453439 | 4002395147908 |
| 20700 | 1 | CARRYING CASE | 4931453440 | 4002395147915 |