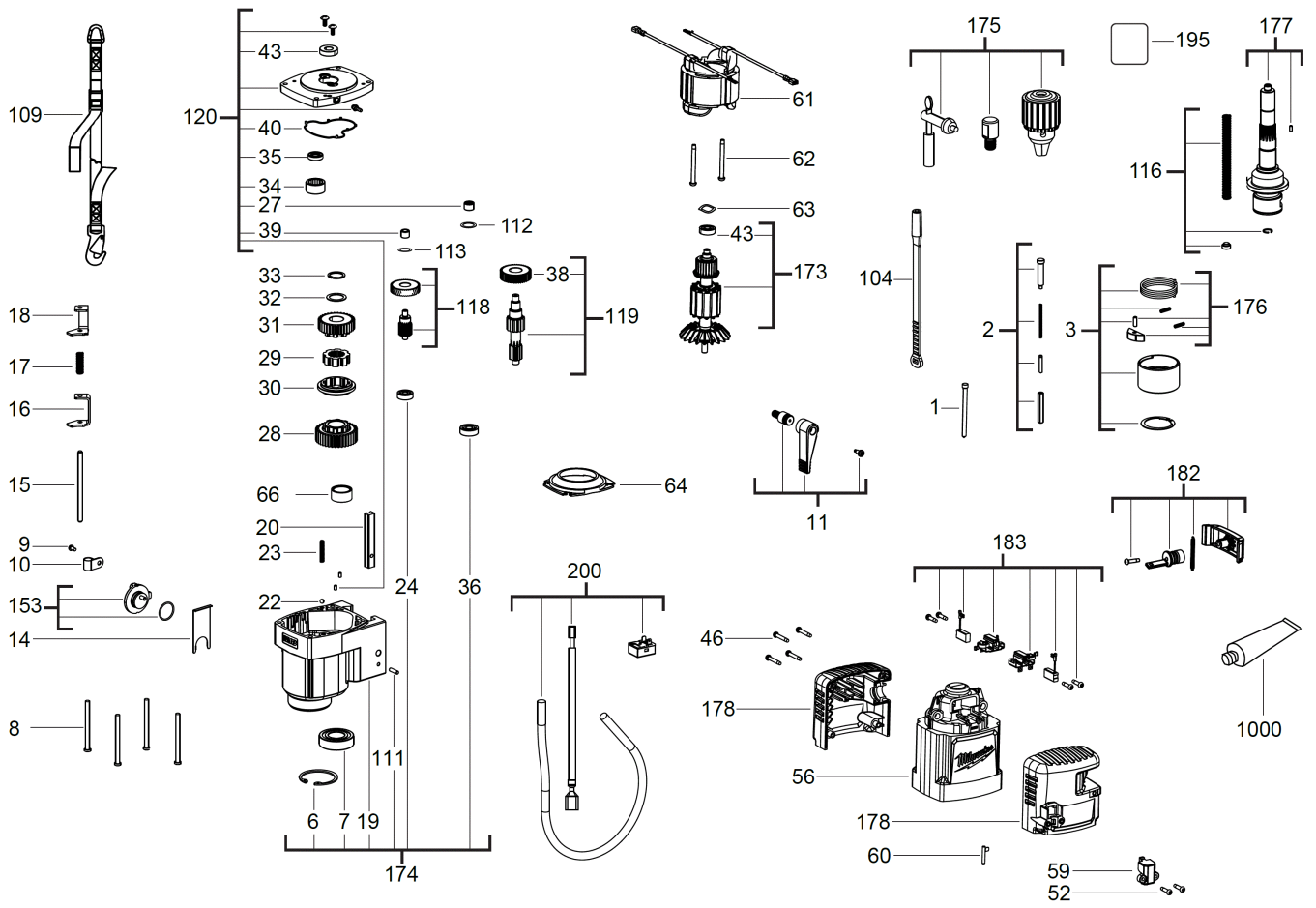
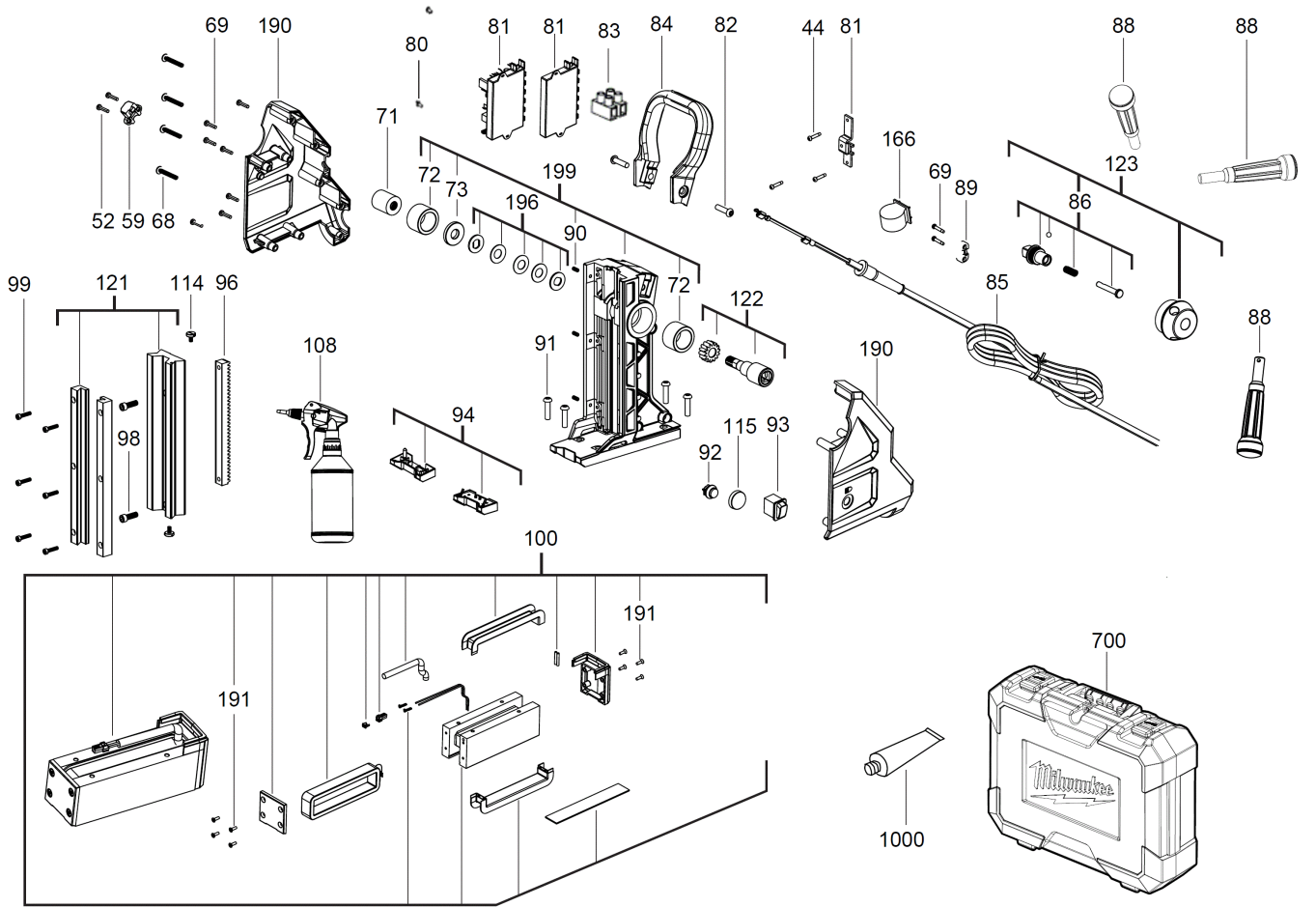


MDE41 Magnetic Drill Stand IN2

4933451015 - MDE41 - 4000452350







Position	Quantity	Description	Part number	EAN
10001	1	GUIDE BOLT	4931453396	4002395147861
10002	1	GUIDE BAR	4931453397	4002395147878
10003	1	CHUCK SHROUD	4931453092	4002395150663
10006	1	RETAINING RING	4931453093	4002395150670
10007	1	BALL BEARING	4931453094	4002395150687
10008	4	SCREW	4931453398	4002395147885
10009	1	SCREW	4931453100	4002395151349
10010	1	CABLE CLAMP	4931453099	4002395151332
10011	1	CLAMPING LEVER	4931456260	4002395173969
10014	1	RETAINING PLATE	4931453097	4002395151318
10015	1	GUIDE BOLT	4931453101	4002395151356
10016	1	HOLDING BRACKET	4931453102	4002395151363
10017	1	SPRING	4931453103	4002395151370
10018	1	HOLDING BRACKET	4931453104	4002395151387
10019	1	GEAR BOX	4931453399	4002395147892
10020	1	LOCKING ROD	4931453098	4002395151325
10022	1	BALL BEARING	4931453105	4002395151394
10023	1	SPRING	4931453106	4002395152001
10024	1	BALL BEARING	02040640	4058546067922
10027	1	NEEDLE BEARING	02502400	4058546068233
10028	1	WORM GEAR WHEEL	4931453400	4002395148509
10029	1	HUB	4931453110	4002395152049
10030	1	COUPLING	4931453109	4002395152032
10031	1	WORM GEAR WHEEL	4931453401	4002395148516
10032	1	WASHER 24x17,8x0,8	680335077	4002395849925
10033	1	RETAINING RING	4931453112	4002395152063
10034	1	NEEDLE BEARING	4931453113	4002395152070
10035	1	SEAL	4931453114	4002395152087
10036	1	BALL BEARING	4931453402	4002395148523
10038	1	WORM GEAR WHEEL	4931453403	4002395148530
10039	1	NEEDLE BEARING	4931453404	4002395148547
10040	1	SEAL	4931453115	4002395152094
10043	2	BALL BEARING	681337001	4002395826988
10046	4	SCREW	4931436769	4002395179183
10052	4	SCREW	660024030	4002395826957
10056	1	MOTOR HOUSING	4931453406	4002395148561
10059	2	CLAMP	4931453407	4002395148585
10060	1	PIN	4931453408	4002395148592
10061	1	ELECTRIC FIELD	4931453409	4002395149209
10062	2	SCREW	4931453410	4002395149216
10063	1	WASHER	4931453411	4002395149223
10064	1	AIR DEFLECTOR RING	4931453412	4002395149230
10066	1	BUSHING	4931453192	4002395150885
10104	1	KEY HOLDER	4931453193	4002395150892
10109	1	SAFETY STRAP	4931453194	4002395151509
10111	1	CYLINDER PIN	4931453172	4002395152872
10112	1	WASHER	4931453424	4002395149957
10113	1	WASHER	4931453425	4002395149964
10116	1	EJECTOR	4931453191	4002395150878
10118	1	PINION	4931453426	4002395149971

Position	Quantité	Désignation	Référence	EAN
10119	1	PINION	4931453427	4002395149988
10120	1	GEAR BOX COVER	4931453428	4002395149995
10153	1	TURNING KNOB	4931453184	4002395150809
10173	1	MOTOR ASSEMBLY	4931453430	4002395147212
10174	1	GEAR KIT	4931453431	4002395147229
10175	1	CHUCK W KEY AND ADAPT.-1PC	49590020	45242364053
10176	1	KIT	4931453185	4002395150816
10177	1	OUTPUT SHAFT KIT	4931453107	4002395152018
10178	1	MOTOR HOUSING	4931453460	4002395149339
10182	1	SWITCH KIT	4931453433	4002395147243
10183	1	CARBON BRUSH SET	4931453434	4002395147250
10195	1	RATING PLATE	4931453463	4002395149377
10200	1	WIRE	4931453438	4002395147298
11000	1	GREASE	49085270	4058546075040
20044	3	SCREW	4931453405	4002395148554
20068	4	SCREW	4931453127	4002395153411
20069	8	SCREW	4931453124	4002395152780
20071	1	BIT GUIDE	4931453129	4002395153442
20072	2	BUSHING	4931453130	4002395153459
20073	1	COMPENSATION PLATE	4931453131	4002395153466
20080	2	SCREW	4931453413	4002395149247
20081	1	ELECTRONIC	4931453452	4002395148653
20082	2	SCREW	4931453132	4002395153473
20083	1	CONNECTOR	4931453415	4002395149261
20084	1	HANDLE	4931453133	4002395153480
20085	1	CONNECTION CABLE	4931453417	4002395149285
20086	1	SPINDLE LOCK	4931453136	4002395150717
20088	3	OPERATING HANDLE	4931453137	4002395150724
20089	1	CABLE CLAMP	4931453418	4002395149292
20090	3	SCREW	5131000000	
20091	4	SCREW	4931453138	4002395150731
20092	1	SWITCH	4931453155	4002395152100
20093	1	SWITCH	4931453455	4002395148684
20094	1	ELECTRIC ELEMENT	4931453456	4002395148691
20096	1	TOOTH RACK	4931453140	4002395150755
20098	3	SCREW	4931453141	4002395150762
20099	6	SCREW	4931453167	4002395152827
20100	1	MAG BASE PLATE	4931453457	4002395149308
20108	1	TANK	4931453423	4002395149940
20114	2	SCREW	4931453171	4002395152865
20115	1	SWITCH COVER	4931453168	4002395152834
20121	1	HOLDING DEVICE	4931453173	4002395152889
20122	1	GEAR BOX KIT	4931453175	4002395153503
20123	1	FEED SPINDLE	4931453177	4002395153527
20166	1	MAGNET	4931453429	4002395147205
20190	1	HOUSING	4931453462	4002395149353
20196	1	Adjust. washer set	4931453196	4002395151523
20199	1	FOOT	4931453437	4002395147281
20700	1	CARRYING CASE	4931453465	4002395149391